

DESCRIPTION

The MS2552 device is a high power pulsed transistor specifically designed for DME/TACAN avionics applications.

This device is capable of withstanding an infinite load VSWR at any phase angle under full rated conditions. Low RF thermal resistance and semi-automatic bonding techniques ensure high reliability and product consistency.

The MS2552 is housed in the industry-standard AMPAC™ metal/ceramic hermetic package with internal input/output matching structures.

IMPORTANT: For the most current data, consult MICROSEMI's website: <http://www.microsemi.com>

KEY FEATURES

- Refractory/Gold Metallization
- Emitter Ballasted
- Ruggedized VSWR ∞ :1 Capability
- Input/Output Matching
- Overlay Geometry
- Metal/Ceramic Hermetic Package
- $P_{OUT} = 325$ W Min.
- $G_p = 6.7$ dB Gain

APPLICATIONS/BENEFITS

- Avionics Applications

ABSOLUTE MAXIMUM RATINGS (T_{CASE} = 25°C)

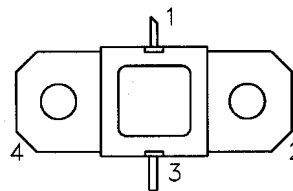
Symbol	Parameter	Value	Unit
P_{DISS}	Power Dissipation* (T _C ≤ 100°C)	880	W
I_C	Device Current*	24	A
V_{CC}	Collector-Supply Voltage*	55	V
T_J	Junction Temperature (Pulsed RF Operation)	250	°C
T_{STG}	Storage Temperature	-65 to +150	°C

THERMAL DATA

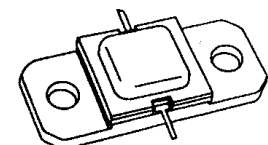
$R_{TH(j-c)}$	Junction-Case Thermal Resistance	0.17	°C/W
---------------	----------------------------------	------	------

Applies only to rated RF amplifier operation

PIN CONNECTION



- 1. Collector
- 2. Base
- 3. Emitter
- 4. Base



.400 x .400 2NLFL (S042)
hermetically sealed

STATIC ELECTRICAL SPECIFICATIONS (T_{CASE} = 25°C)

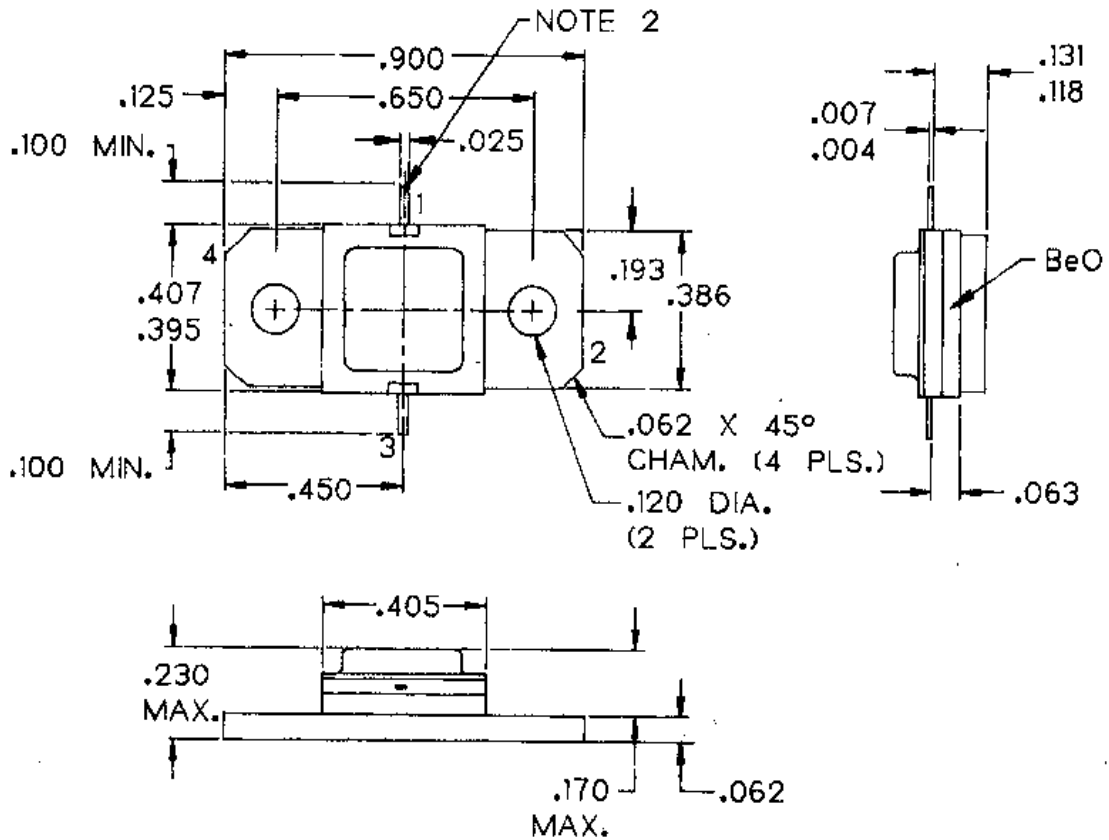
Symbol	Test Conditions		MS2552			Units
			Min.	Typ.	Max.	
BV_{CBO}	I_C = 10 mA	I_E = 0 mA	65	—	—	V
BV_{EBO}	I_E = 1 mA	I_C = 0 V	3.5	—	—	V
BV_{CER}	I_C = 25 mA	R_{BE} = 10 Ω	65	—	—	V
I_{CES}	V_{BE} = 0 V	v_{CE} = 50 V	—	—	25	mA
h_{FE}	V_{CE} = 5 V	I_C = 1 A	15	—	120	—

DYMANIC ELECTRICAL SPECIFICATIONS (T_{CASE} = 25°C)

Symbol	Test Conditions				MS2575			Units
					Min.	Typ.	Max.	
P_{OUT}	f = 1025 – 1150 MHz	P_{IN} = 70 W	V_{CC} = 50 V		325	360	—	W
η_c	f = 1025 – 1150 MHz	P_{IN} = 70 W	V_{CC} = 50 V		40	41	—	%
G_p	f = 1025 – 1150 MHz	P_{IN} = 70 W	V_{CC} = 50 V		6.7	7.1	—	dB

Note: Pulse width = 10μSec
 Duty Cycle = 1%

Ref.: ·Dwg. No.: J113214F



NOTES:

1. ALL TOLERANCE $\pm .010$ EXCEPT WHERE NOTED;
DIMENSIONS IN INCHES.
2. COLLECTOR LEAD SLANT CUT.



MS2552

RF & MICROWAVE TRANSISTORS

PRODUCT PREVIEW

www.Microsemi.com

NOTES