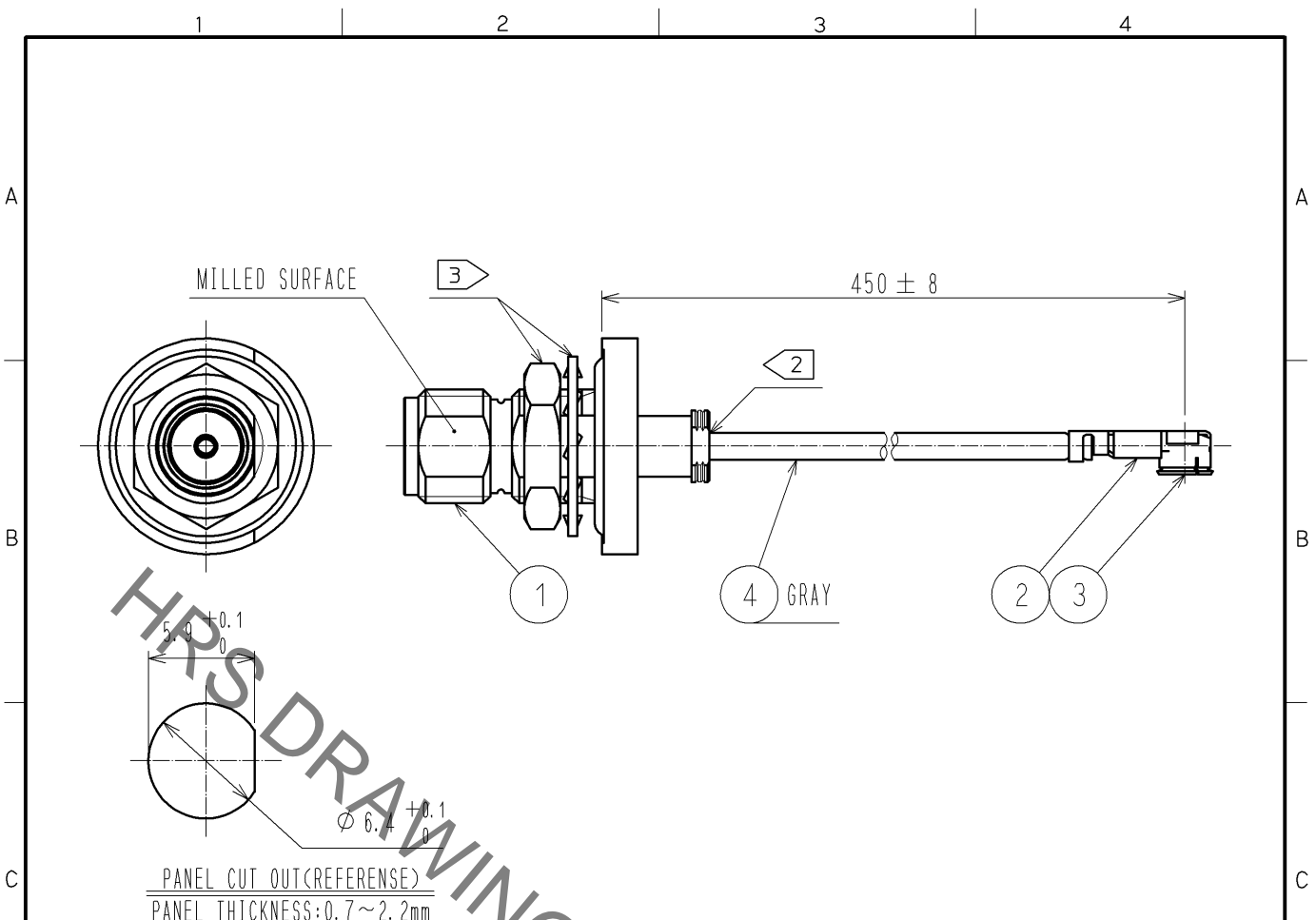
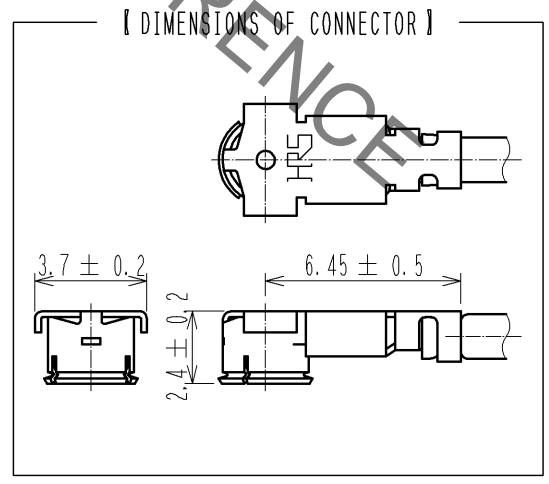


Aug.1.2022 Copyright 2022 HIROSE ELECTRIC CO., LTD. All Rights Reserved.
In case of consideration for using Automotive equipment / device which demand high reliability, kindly contact our sales window correspondents.



- NOTE
- 1. Connector rotation angle is within ± 45 degree from the above image.
 - 2 Do not apply any excessive stress to the cable assembly position.
 - 3 Lock nut and tooth washer are attached separately in other package.



RoHS COMPLIANT

3	H. FL-LP FEMALE CONTACT	CL331-0511-2-00		
2	H. FL-LP-DFS111-A(C01)	CL331-0507-5-01		
1	HRM-200-088WBPJBN	CL323-0920-7-00	4	DFS111-UL1979
NO.	PART NO.	CODE NO.	NO.	PART NO.
				Junkosha Inc.
				MANUFACTURER

UNITS mm		SCALE FREE	COUNT	DESCRIPTION OF REVISIONS	DESIGNED	CHECKED	DATE
HIROSE ELECTRIC CO., LTD.				APPROVED : MH. YAMANE 13. 09. 17 CHECKED : TS. NOBE 13. 09. 17 DESIGNED : NK. OOSAWA 13. 09. 17 DRAWN : NK. OOSAWA 13. 09. 17	DRAWING NO. EDC4-349670-02 PART NO. HRMWBPJ-H. FLA-111-A-450RS CODE NO. CL321-5938-7-02		