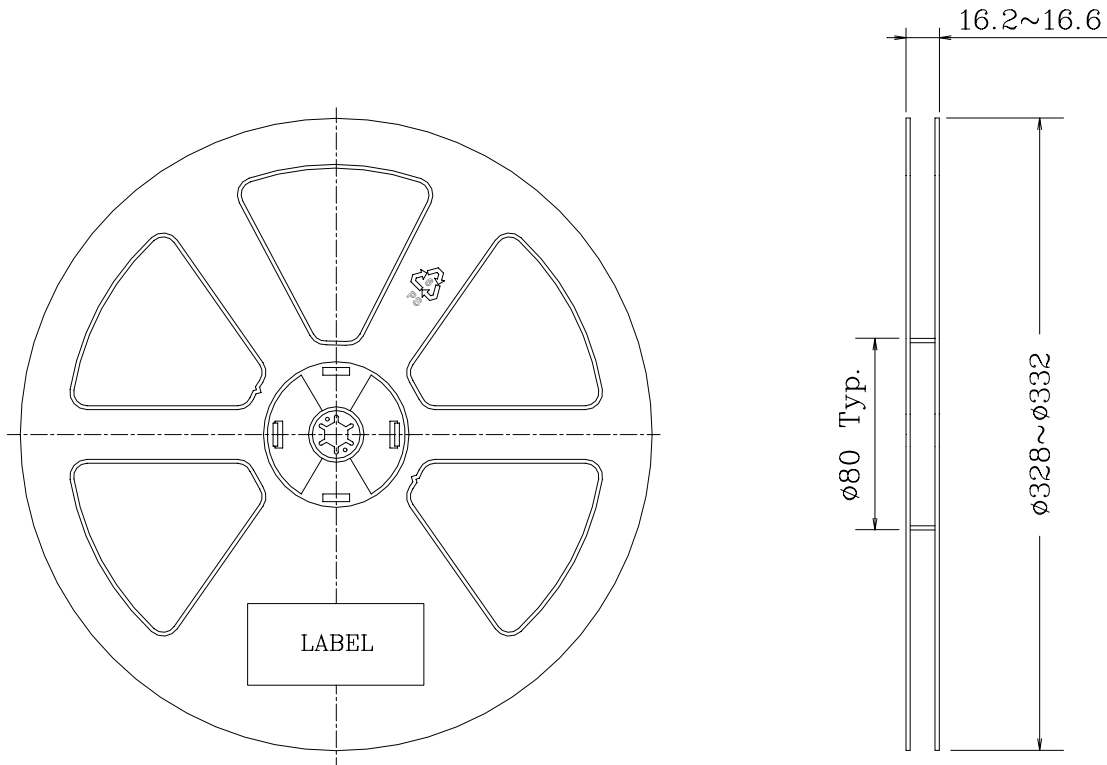


### 1. Dimensions of reel

[Unit : mm]



Quantity : 4,000pcs/reel

DVC : \_\_\_\_\_

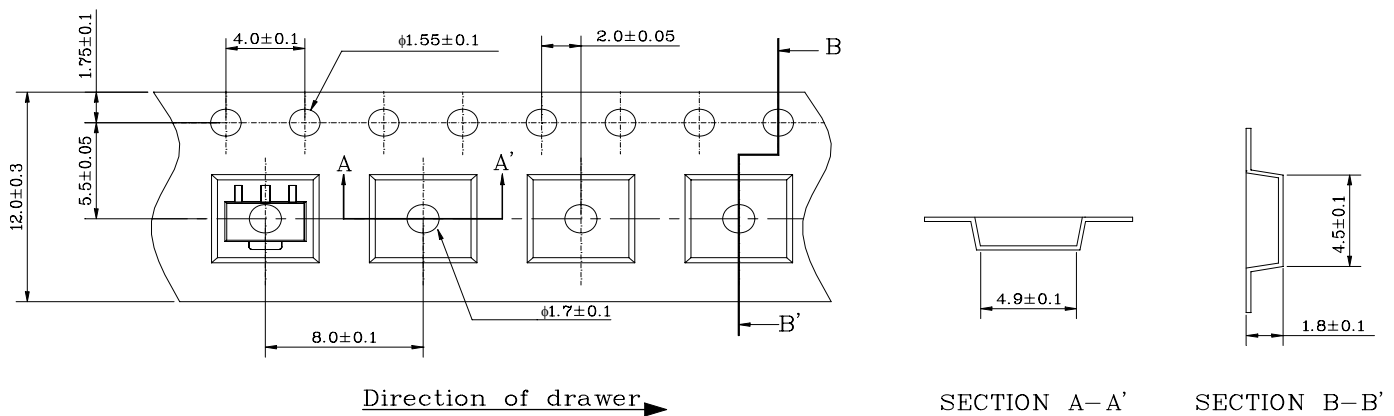
LOT : \_\_\_\_\_ Q'TY : \_\_\_\_\_ S/N : \_\_\_\_\_

W/D : \_\_\_\_\_ MADE IN XXXXX



### 2. Dimensions of tape

[Unit : mm]



### 3. Taping format

(END)

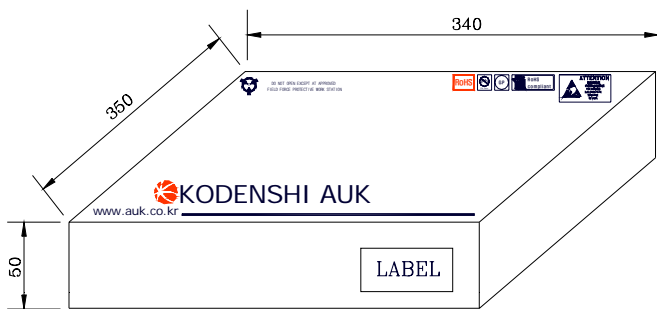
(Start)

Unloaded tape	SOT-89 Package	Unloaded tape	Sealing tape (Cover tape)
------------------	----------------	------------------	------------------------------

### 4. Dimensions of Box

[Unit : mm]

#### 1) Inner Box (Loaded 2 reels)

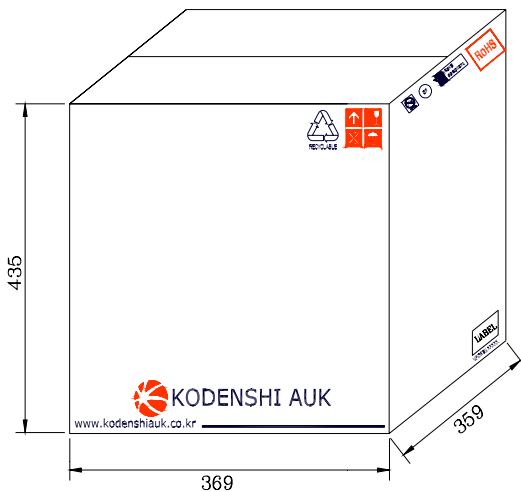


Inner Box LABEL

DVC : _____	
LOT : _____ Q'TY : _____ S/N : _____	<b>RoHS</b>
W/D : _____ MADE IN XXXXX	

Quantity: 4Kpcs×2reels = 8Kpcs

#### 2) Out Box (Loaded 8 inner boxes)



Out Box LABEL

DVC : _____	
LOT No : _____ Q'TY : _____	<b>RoHS</b>
BOX No : _____	

Quantity: 8Kpcs×8boxes = 64Kpcs