



Preliminary

1W Per Channel Stereo Class-D Audio Power Amplifier

Document Title

1W Per Channel Stereo Class-D Audio Power Amplifier

Revision History

<u>Rev. No.</u>	<u>History</u>	<u>Issue Date</u>	<u>Remark</u>
0.0	Initial issue	October 8, 2001	Preliminary
0.1	Add Application Circuits and Important Notice Change document title from "2 Channel 1W Stereo Class-D Audio Power Amplifier" to "1W Per Channel Stereo Class-D Audio Power Amplifier"	November 7, 2001	

Important Notice:

AMIC reserves the right to make changes to its products or to discontinue any integrated circuit product or service without notice. AMIC integrated circuit products are not designed, intended, authorized, or warranted to be suitable for use in life-support applications, devices or systems or other critical applications. Use of AMIC products in such applications is understood to be fully at the risk of the customer.



Preliminary 1W Per Channel Stereo Class-D Audio Power Amplifier

Features

- 1 watt per channel with 8-ohm load
- Max. efficiency \approx 80% with 8-ohm load at 5 volts
- Filterless
- Digital gain control
- Build-in depop circuitry
- Error protection for short circuit and over-temperature
- Mute (shutdown) current $< 1\mu\text{A}$ typical
- Low operating current (4mA at 5 volts without load)
- TSSOP 24L package available

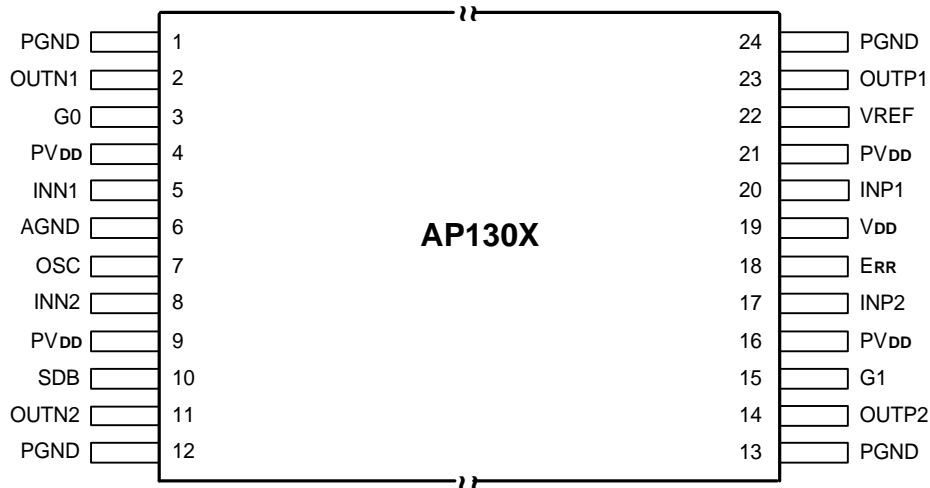
General Description

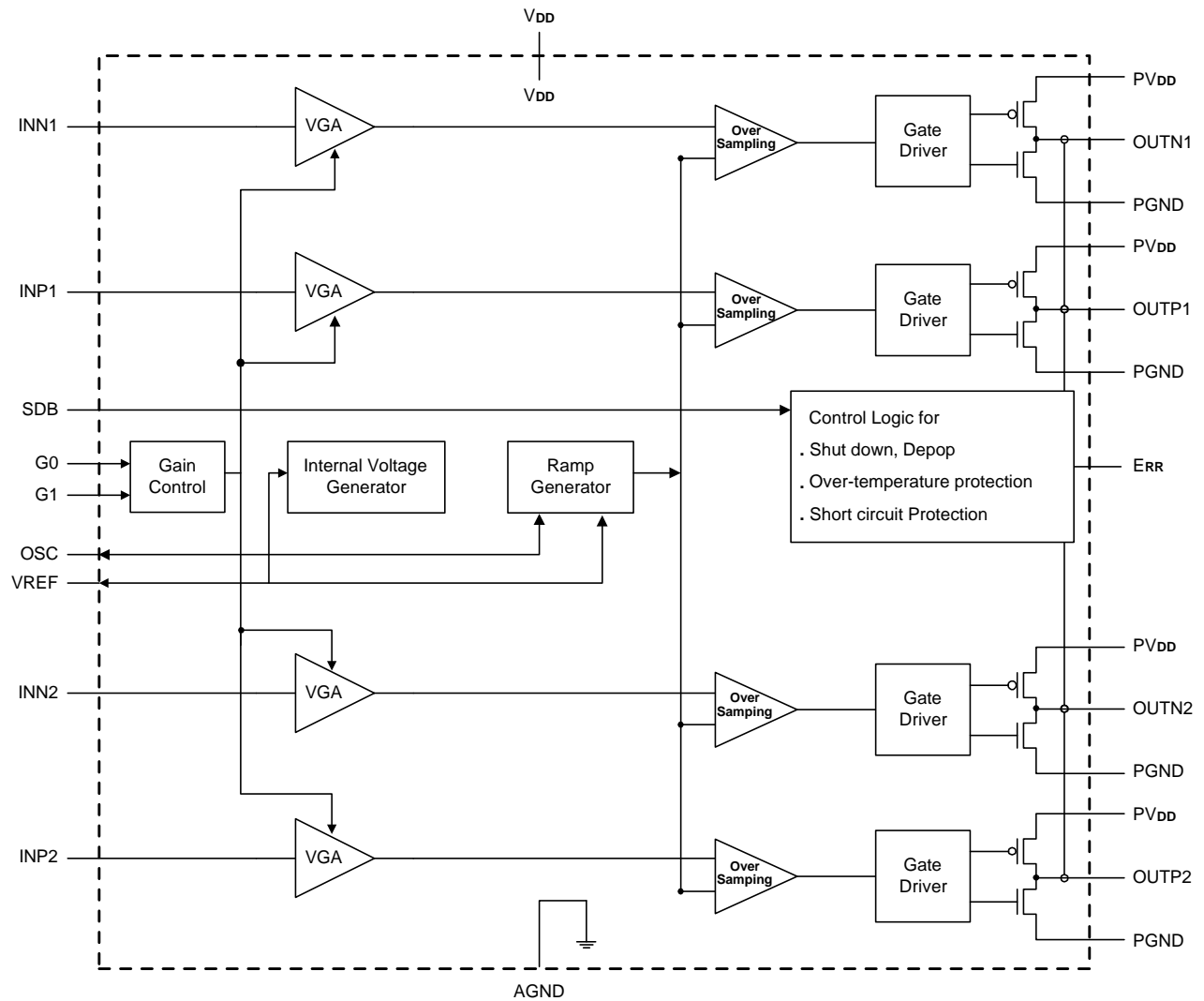
The AP130 is an oversampling class-D power amplifier for stereo audio applications. It provides high power-efficiency for filterless 8-ohm load. Build-in depop, mute and gain control features simplify the applications. BTL (Bridge-Tied-Load) configuration delivers up to 1 watt into 8-ohm load per channel at 5-V supply voltage. It

allows direct coupling of the power signal. Reliability is improved through over-temperature and short circuit protections. The class-D power amplifier enables high efficiency applications for portable devices.

Pin Configurations

■ TSSOP



Block Diagram


Pin Function

Pin No.	Signal Name	I/O	Function Description
6	AGND	PWR	Ground for Analog circuitry
22	VREF	I/O	Internal voltage reference
7	OSC	I/O	A 220pF capacitor connected to this pin sets the ramp frequency to $\approx 3\mu\text{s}$
3	G0	I	Bit 0 of gain control
15	G1	I	Bit 1 of gain control
5	INN1	I	Channel 1 negative differential input
20	INP1	I	Channel 1 positive differential input
2	OUTN1	O	Channel 1 negative output
23	OUTP1	O	Channel 1 positive output
1, 12 13, 24	PGND	PWR	Ground for noisy signals
4, 9 16, 21	PVDD	PWR	Power supply for noisy signals
8	INN2	I	Channel 2 negative differential input
17	INP2	I	Channel 2 positive differential input
18	ERR	O	A high output at ERR indicates over-temperature, short circuit or depop in effect
11	OUTN2	O	Channel 2 negative output
14	OUTP2	O	Channel 2 positive output
10	SDB	I	Logic low to shutdown the amplifiers; Logic high to enable normal operation of the amplifiers
19	VDD	PWR	Power supply for analog circuitry

Absolute Maximum Ratings Over Operating Free-air Temperature

Supply Voltage, VDD, PVDD	-0.3V to 6V
Input Voltage	-0.3V to VDD + 0.3V
Operating Free-air Temperature Range	-40°C to 85°C
Operating Junction Temperature Range	-40°C to 150°C
Storage Temperature Range	-65°C to 150°C

Recommended Operating Conditions

		Min.	Max.	Unit
Supply voltage, V_{DD} , PV_{DD}		2.7	5.5	V
High-level input voltage, V_{IH}	G0, G1, SDB	2		V
Low-level input voltage, V_{IL}	G0, G1, SDB		0.8	V
Operating free-air temperature, T_A		-40	85	°C
Ramp		200	400	kHz

Electrical Characteristics, $T_A=25^\circ\text{C}$, $V_{DD}=PV_{DD}=5\text{V}$ (unless otherwise noted)

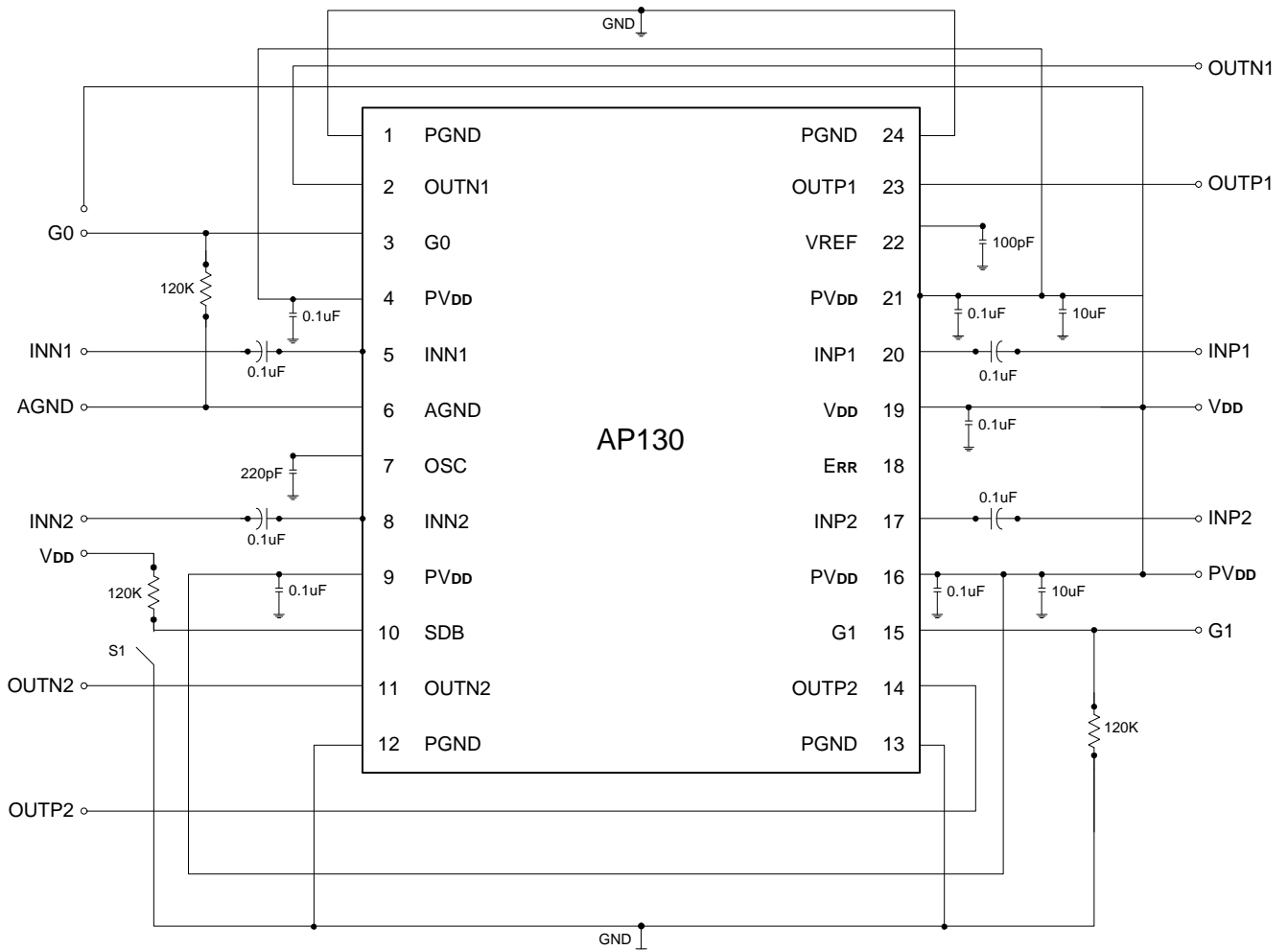
Parameter		Test Conditions	Min.	Typ.	Max.	Unit
$ V_{OO} $	Output offset voltage	$V_I = 0\text{V}$			10	mV
PSRR	Power supply rejection ratio	$V_{DD} = PV_{DD} = 2.7\text{V to } 5.5\text{V}$		-77		dB
I_{IH}	High-level input current	$V_{DD} = PV_{DD} = 5.5\text{V}$, $V_I = V_{DD} = PV_{DD}$			1	μA
I_{IL}	Low-level input current	$V_{DD} = PV_{DD} = 5.5\text{V}$, $V_I = 0\text{V}$	-1			μA
I_{DD}	Supply current	$V_{DD} = PV_{DD} = 5.5\text{V}$		4	6	mA
$I_{DD(SD)}$	Supply current (shutdown)				1	μA

Operating Characteristics, $T_A=25^\circ\text{C}$, $V_{DD}=PV_{DD}=5\text{V}$, $R_L=8\Omega$, Gain=8dB

Parameter		Test Conditions	Min.	Typ.	Max.	Unit
P_o	Output power	THD = 0.4%, $f = 1\text{kHz}$, $R_L = 8\Omega$		1		W
THD+N	Total harmonic distortion plus noise	$P_o = 0.5\text{W}$, $f = 20\text{Hz to } 20\text{kHz}$		<0.2%		
B_{OM}	Maximum output power bandwidth	THD = 5%		20		kHz
K_{SVR}	Supply ripple rejection ratio	$f = 1\text{kHz}$ $C_{(VREF)} = 0.4\mu\text{F}$		-60		dB
SNR	Signal-to-noise ratio	20Hz to 20kHz		87		dBV
Z_I	Input impedance			20		$\text{k}\Omega$

Gain Settings

GAIN0	GAIN1	AMPLIFIER GAIN (dB)	INPUT IMPEDANCE (k Ω)
		Typ.	Typ.
0	0	8	20
0	1	12	20
1	0	17.5	20
1	1	23.5	20

Application Circuits


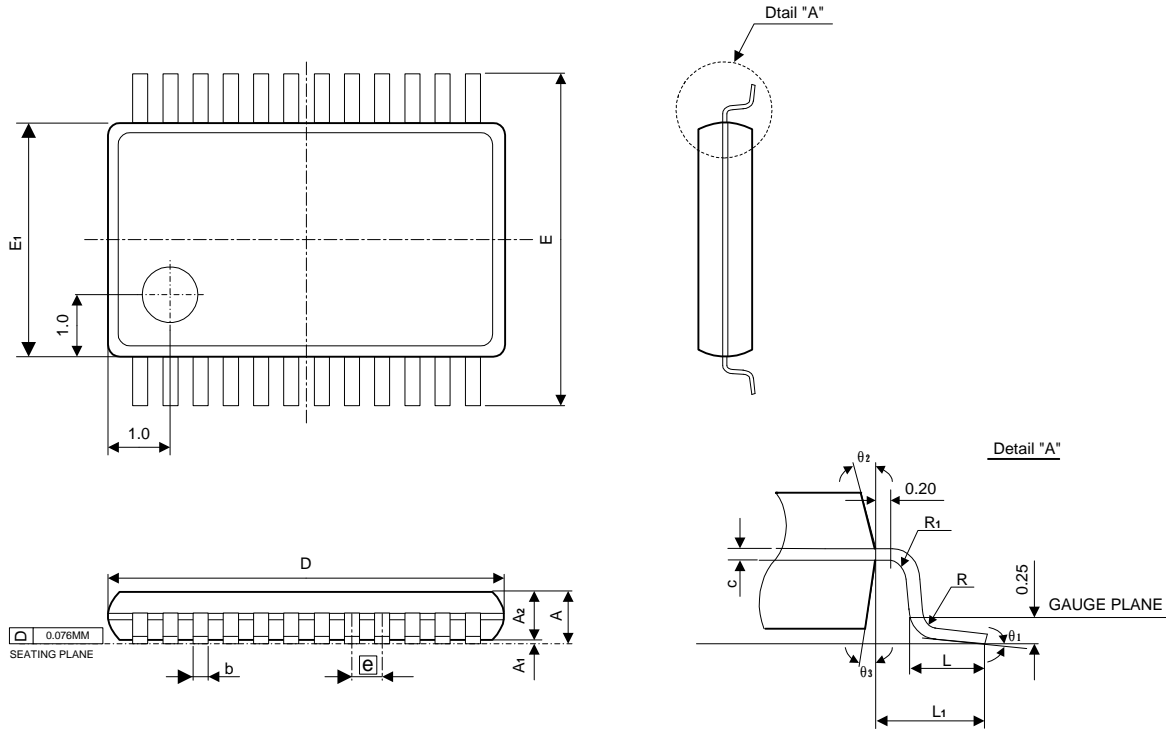


Ordering Information

Part No.	Package
AP130X	24L TSSOP

Package Information
TSSOP 24L (4.40mm BODY) Outline Dimensions

unit: inches/mm



Symbol	Dimensions in inches			Dimensions in mm		
	Min	Nom	Max	Min	Nom	Max
A	-	-	0.043	-	-	1.20
A1	0.002	-	0.006	0.05	-	0.15
A2	0.031	0.035	0.041	0.80	0.90	1.05
L	0.020	0.024	0.030	0.50	0.60	0.75
L1	0.039 REF			1.0 REF		
D	0.303	0.307	0.311	7.70	7.80	7.90
E	0.252 BSC			6.40 BSC		
E1	0.169	0.173	0.177	4.30	4.40	4.50
R	0.004	-	-	0.09	-	-
R1	0.004	-	-	0.09	-	-
b	0.007	-	0.012	0.19	-	0.30
c	0.004	-	0.008	0.09	-	0.20
\square e	0.026 BSC			0.65 BSC		
θ_1	0°	-	8°	0°	-	8°
θ_2	12 REF			12 REF		
θ_3	12 REF			12 REF		

Notes:

1. The maximum value of dimension D includes end flash.
2. Dimension E does not include resin fins.