

3.8 TO 30 VDC UNIPOLAR DEVICE

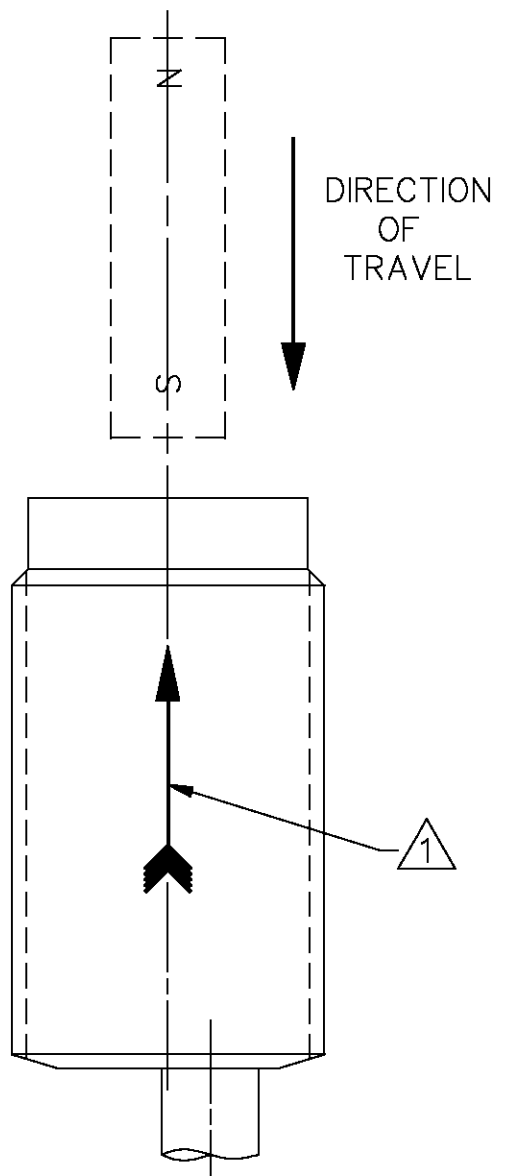
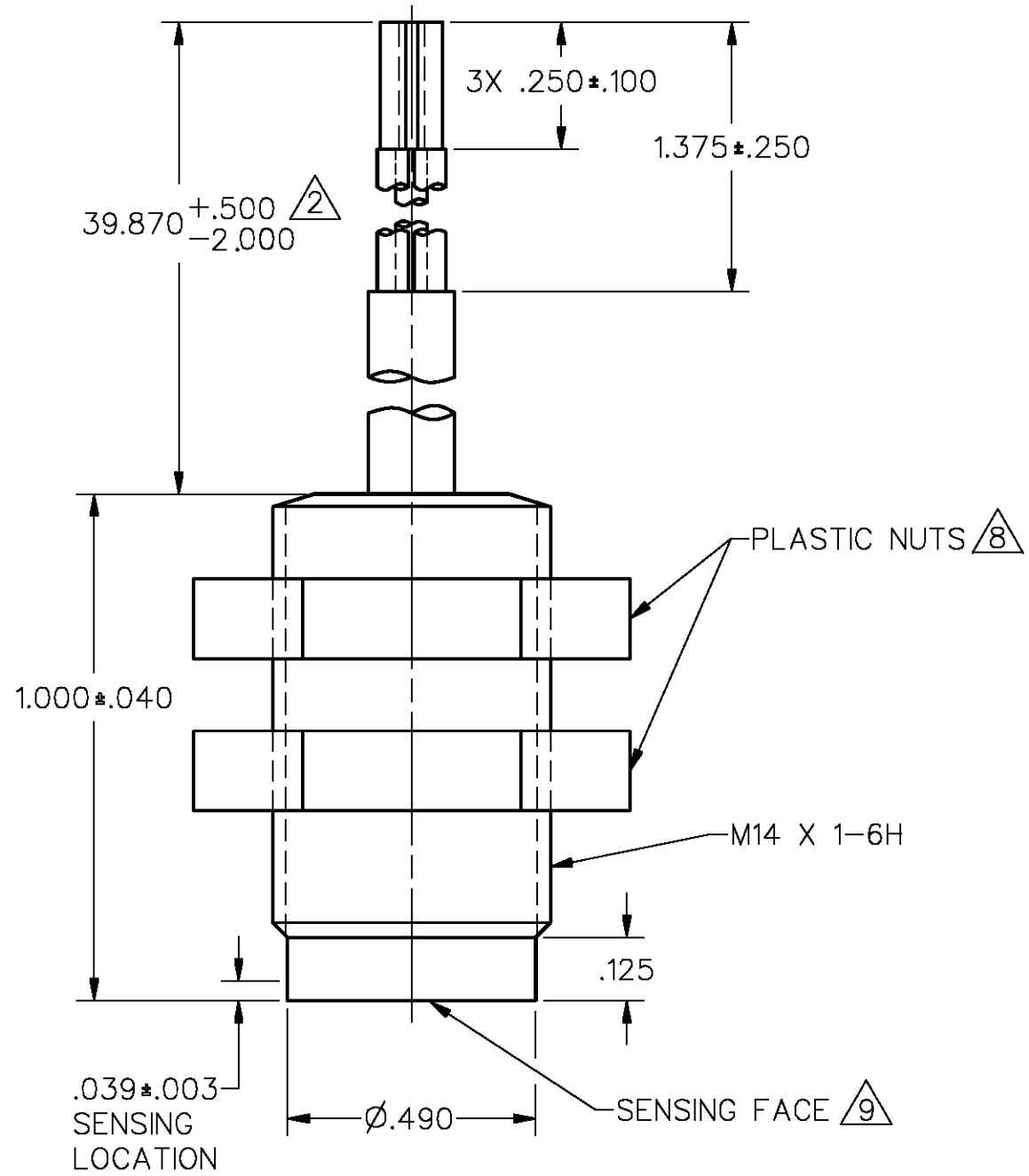


FIGURE 2
OPERATE

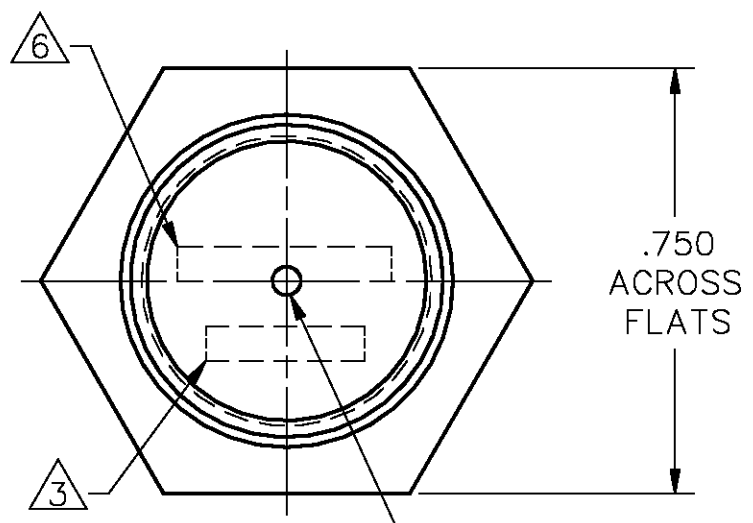
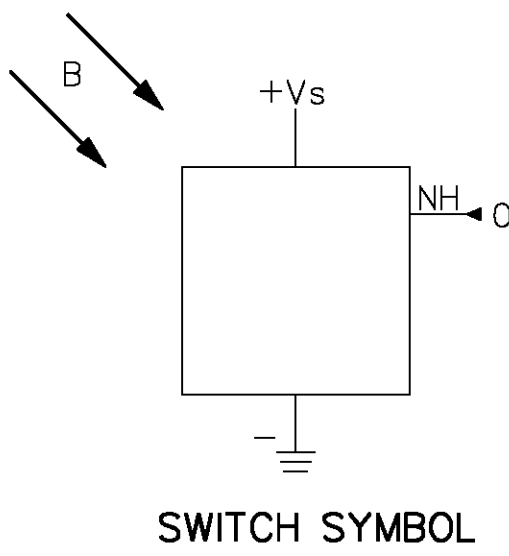


FIGURE 3
SENSOR WILL BE LOCATED ANYWHERE WITHIN Ø.050



SWITCH SYMBOL

MAGNETIC CHARACTERISTICS 1 5

TEMPERATURE RANGE	-40°C TO 85°C
OPERATE MAX	190
RELEASE MIN	60
DIFFERENTIAL MIN	10

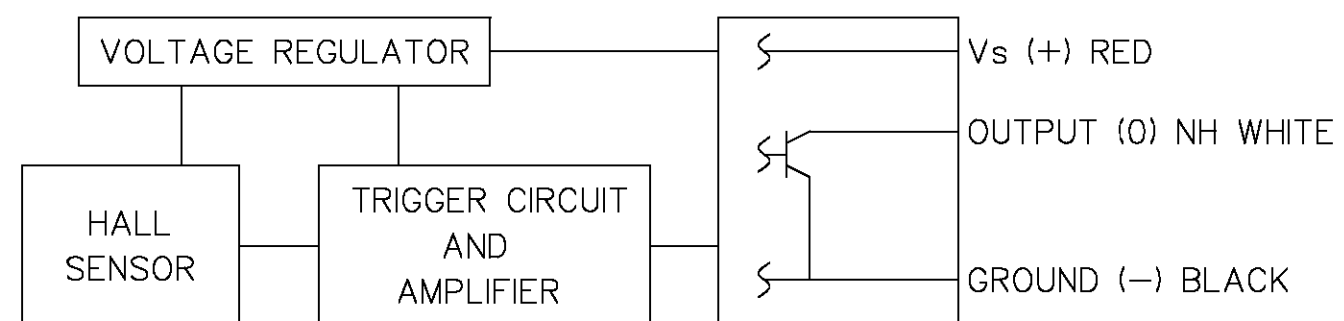
ABSOLUTE MAXIMUM RATING 9

SUPPLY VOLTAGE (Vs) 7	3.8 TO 30 VDC
VOLTAGE EXTERNALLY APPLIED TO OUTPUT	+28.0 VDC MAX WITH SWITCH IN "OFF" CONDITION ONLY -0.5 VOLTS MIN WITH SWITCH IN "OFF" OR "ON" CONDITION
OUTPUT CURRENT	20mA
TEMPERATURE	-40°C TO 85°C
MAGNETIC FLUX	NO LIMIT, THE CIRCUIT CANNOT BE DAMAGED BY MAGNETIC OVERDRIVE

ELECTRICAL CHARACTERISTICS

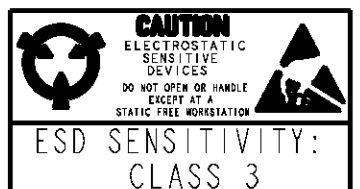
	MIN	TYP	MAX	
SUPPLY CURRENT 4		14mA	19.0mA	"OFF" CONDITION 4 Vs = 4.5 - 24V
OUTPUT VOLTAGE (OPERATED) 5		0.2V	0.4V	SINKING 10mA MAX
OUTPUT LEAKAGE CURRENT (RELEASED) 5		1 µA	10 µA	LEAKAGE INTO SWITCH OUTPUT
OUTPUT SWITCHING TIME (SINKING) 5				
RISE TIME		0.2 µS	1.5 µS	10% to 90%
FALL TIME		0.5 µS	1.0 µS	90% to 10%

BLOCK DIAGRAM CURRENT SINKING OUTPUT



NOTES

- 1 FLUX ENTERING THE SOUTH POLE OF THE MAGNET WILL OPERATE THE SENSOR WHEN THE MAGNET IS POSITIONED AS SHOWN IN FIGURE 2. THIS ASSUMES THE CONVENTION THAT THE DIRECTION OF THE EXTERNAL FLUX OF A MAGNET IS FROM THE NORTH TO THE SOUTH POLE OF THE MAGNET. (FIGURE 2)
- 2 CABLE IS PVC JACKETED 3 CONDUCTOR CROSSLINKED POLYETHYLENE INSULATED 22 GAGE WIRES
- 3 DATE CODE LOCATED IN THIS AREA
- 4 AT 24° TO 2°C
- 5 AT SUPPLY VOLTAGE OF 4.5 TO 24 VOLTS AND FULL TEMPERATURE RANGE
- 6 CATALOG LISTING LOCATED IN THIS AREA
- 7 Vs IS THE UNREGULATED SUPPLY VOLTAGE
- 8 TORQUE ON PLASTIC NUTS MUST NOT EXCEED 12 INCH POUNDS
- 9 ABSOLUTE MAXIMUM RATINGS ARE THE EXTREME LIMITS THAT THE DEVICE WILL WITHSTAND WITHOUT DAMAGE TO THE DEVICE. HOWEVER, THE ELECTRICAL AND MAGNETIC CHARACTERISTICS ARE NOT GUARENTEED AS THE MAXIMUM LIMITS (ABOVE RECOMMENDED OPERATING CONDITIONS) ARE APPROACHED, NOR WILL THE DEVICE NECESSARILY OPERATE AT ABSOLUTE MAXIMUM RATING



THIRD ANGLE PROJECTION

SCALE 3 : 1

DO NOT SCALE PRINT

UNLESS OTHERWISE SPECIFIED TOLERANCES ARE

ONE PLACE (.0)	±.030
TWO PLACES (.00)	±.015
THREE PLACES (.000)	±.005
ANGLES	±

WEIGHT

THIS DRAWING COVERS A PROPRIETARY ITEM AND IS THE PROPERTY OF MICRO SWITCH, A DIVISION OF HONEYWELL. THIS DRAWING IS NOT TO BE COPIED OR USED WITHOUT THE APPROVAL OF MICRO SWITCH.

MICRO SWITCH a Honeywell Division

MAGNETICALLY OPERATED CYLINDRICAL HALL SWITCH

CATALOG LISTING
SR3C-A2

MASTER REDUCED
ANSI Y14.5M-1982 APPLIES

DRAWING NUMBER SR3C-A2
 PAGE 1 OF 1
 ISSUE 4
 REVISIONS
 A CO95439
 G J W
 4 AUG 99
 A 201747
 22NSV00
 CHECK 23 MAR 99
 CHECK JAF
 DCS 23 MAR 99
 FORMTEK
 DRAWN
 CHECK JAF
 RELEASE NO: PR-23917
 REPLACES