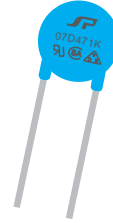


## Varistor Type MYG

### Features

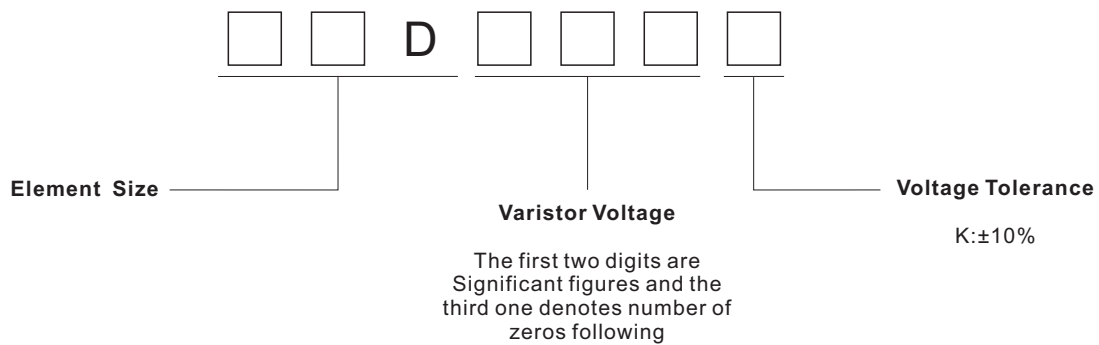
- Wide Varistor voltage range (18V ~ 820V)
- Excellent non-linearity and protection level
- Large withstanding surge current
- Fast response ( $\leq 20\text{ns}$ )



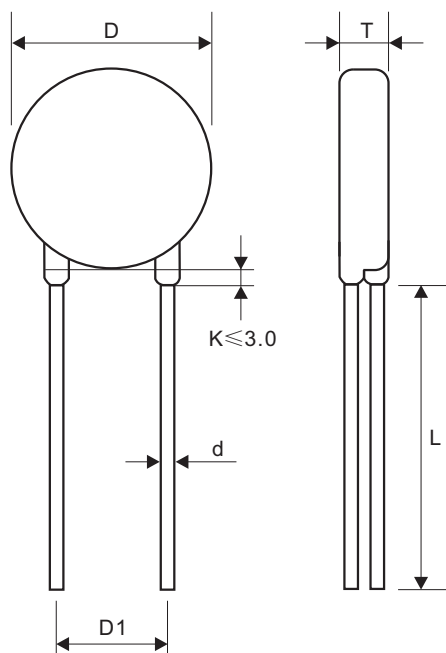
### Applications

- Protection of semiconductors
- Surge protection of consumer equipment
- Surge protection of communication, measuring or controller instrument
- Relay or electromagnetic Valve surge absorption

### Explanation of Part Numbers



### Dimension



Rang of voltage (V)	Dimensions(mm)				
	D <sub>max</sub>	T <sub>max</sub>	L <sub>min</sub>	d±0.1	D1±1.0
18-68	9.0	4.0-5.5	20	0.6	5.0
82-820	9.0	4.2-6.5	20	0.6	5.0

Electrical Characteristics

Part Number	Maximum Allowable Voltage		Max Peak Current (8/20 $\mu$ s)(A)		Rated Power W	Maximum Energy 10/1000 $\mu$ s (J)	Varistor Voltage V <sub>1mA</sub> (V)	Maximum Clamping Voltage		Typical Capacitance (Reference) @1KHz(pF)
	V <sub>AC</sub> (V)	V <sub>DC</sub> (V)	1 time	2 time				V <sub>C</sub> (V)	I <sub>P</sub> (A)	
07D821K	510	670	1200	600	0.25	40	820(738~902)	1355	10	75
07D781K	485	640				30	780(702~858)	1290	10	75
07D751K	460	615				30	750(675~825)	1240	10	80
07D681K	420	560				30	680(612~748)	1120	10	85
07D621K	385	505				30	620(558~682)	1025	10	90
07D561K	350	455				30	560(504~616)	925	10	90
07D511K	320	415				30	510(459~561)	845	10	90
07D471K	300	385				30	470(423~517)	775	10	100
07D431K	275	350				28	430(387~473)	710	10	110
07D391K	250	320				25	390(351~429)	650	10	130
07D361K	230	300				25	360(324~396)	595	10	130
07D331K	210	275				23	330(297~363)	550	10	150
07D301K	195	250				21	300(270~330)	500	10	160
07D271K	175	225				18	270(243~297)	455	10	170
07D241K	150	200				15	240(216~264)	395	10	200
07D221K	140	180				14	220(198~242)	360	10	250
07D201K	130	170				13	200(180~220)	340	10	250
07D181K	115	150				11.7	180(162~198)	300	10	350
07D151K	95	125				9.7	150(135~165)	250	10	350
07D121K	75	100				7.8	120(108~132)	200	10	450
07D101K	60	85	6.5	100(90~110)	165	10	500			
07D820K	50	65	5.5	82(74~90)	135	10	550			
07D680K	40	56	250	125	0.02	3.6	68(61~75)	135	2.5	700
07D560K	35	45				3.1	56(50~62)	110	2.5	940
07D470K	30	38				2.5	47(42~52)	93	2.5	1150
07D390K	25	31				2.1	39(35~43)	77	2.5	1350
07D330K	20	26				1.7	33(30~36)	65	2.5	1450
07D270K	17	22				1.4	27(24~30)	53	2.5	1900
07D220K	14	18				1.1	22(20~24)	43	2.5	2700
07D180K	11	14				0.9	18(15~21)	36	2.5	3400

Note: 1. Operating Temperature Range: -40°C ~ +85°C  
Storage Temperature Range: -40°C ~ +125°C