



## MI1005 SERIES ~ Multilayer Chip Suppressions /

### High Current Chip Bead

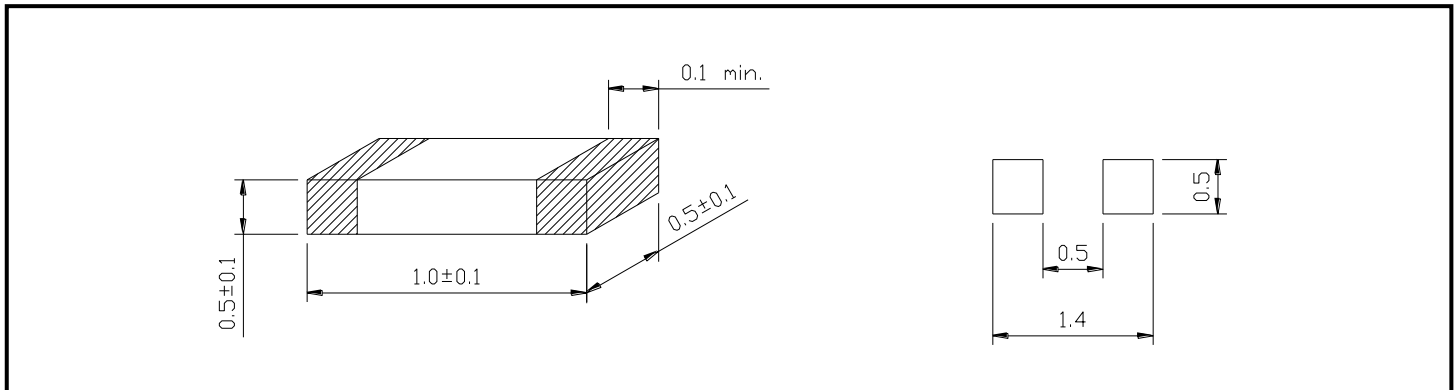


#### PART NUMBERING SYSTEM

<b>MI</b>	<b>1005</b>	-	<b>121</b>	-	<b>1A</b>	-	<b>LF</b>
TYPE	DIMENSIONS		IMPEDANCE		DC CURRENT		LEAD FREE

#### SHAPES AND DIMENSIONS

UNIT : mm



#### SPECIFICATION TABLE

PART NUMBER	IMPEDANCE ( $\Omega$ ) at 100MHz	DCR ( $\Omega$ ) (max)	IDC (mA) (max)
MI1005-600-LF	60±25%	0.20	1000
MI1005-121-LF	120±25%	0.20	1000

- Test equipment : Agilent/HP-4291A impedance analyzer or equipment .
- Operating temperature range -55°C to +125°C .
- Electrical specifications at 25°C .
- Packing : 7" reel, machine-ready ,embossed plastic tape ( 10,000 parts per full reel)

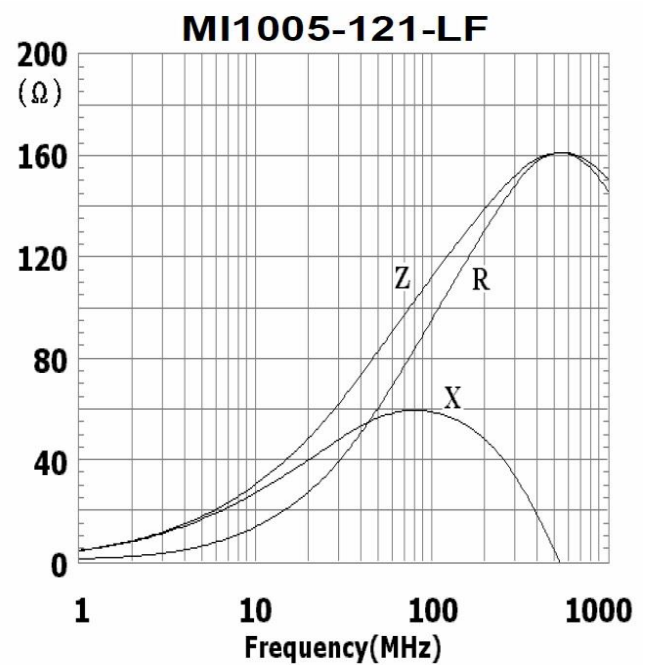
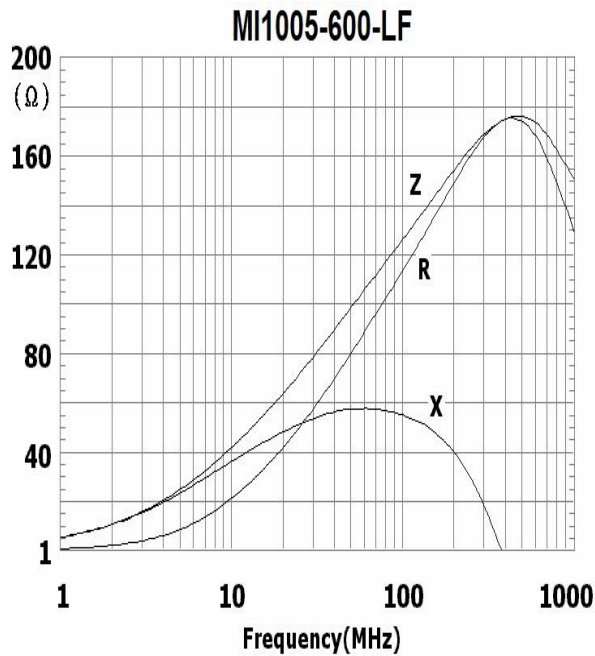


## MI1005 SERIES ~ Multilayer Chip Suppressions /

### High Current Chip Bead



#### IMPEDANCE vs FREQUENCY



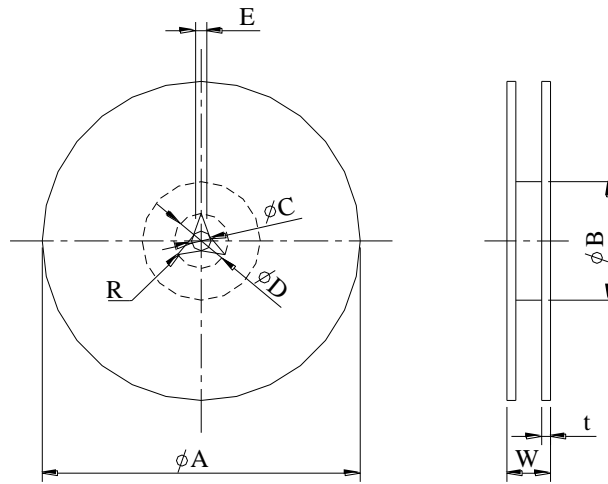


## MI1005 SERIES ~ Multilayer Chip Suppressions /

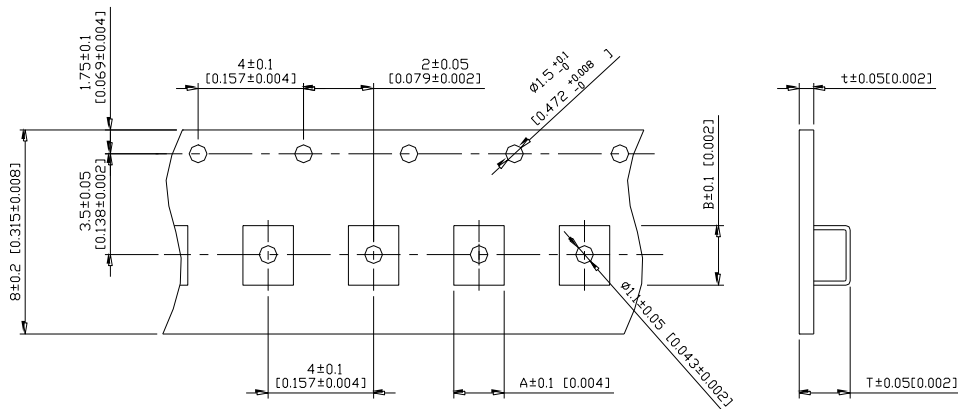
### High Current Chip Bead



#### PACKAGING SPECIFICATION



	A	B	C	D	E	W8	W12	t	R
T( $\psi 178\text{mm}$ ) Reel	$\psi 178 \pm 2$	$\psi 60 \pm 1$	$\psi 13 \pm 0.8$	$\psi 21 \pm 0.8$	2	$10 \pm 1.5$	$14.5 \pm 1.5$	$1.27 \pm 0.2$	1



TYPE	A	B	T	t	T( $\phi 178\text{mm}$ )	T( $\phi 330\text{mm}$ )
MI1005	0.65	1.15	0.80	0.2	10,000 pcs/reel	—