

DATA SHEET

74ABT162244

74ABTH162244

16-bit buffer/line driver with 30Ω series
termination resistors (3-State)

Product specification
Supersedes data of 1998 Feb 25
IC23 Data Handbook

1998 Oct 22

16-bit buffer/line driver with 30Ω series termination resistors (3-State)

74ABT162244 74ABTH162244

FEATURES

- 16-bit bus interface
- Multiple V_{CC} and GND pins minimize switching noise
- Power-up 3-State
- 3-State buffers
- Output capability: +12 mA/-32mA
- Live insertion/extraction permitted
- Latch-up protection exceeds 500mA per JEDEC Std 17
- ESD protection exceeds 2000 V per MIL STD 883 Method 3015 and 200 V per Machine Model
- Same part as 74ABT162244-1
- 74ABTH162244 incorporates bus hold data inputs which eliminate the need for external pull-up resistors to hold unused inputs
- Bus-hold data inputs eliminate the need for external pull-up resistors to hold unused inputs

DESCRIPTION

The 74ABT162244 high-performance BiCMOS device combines low static and dynamic power dissipation with high speed.

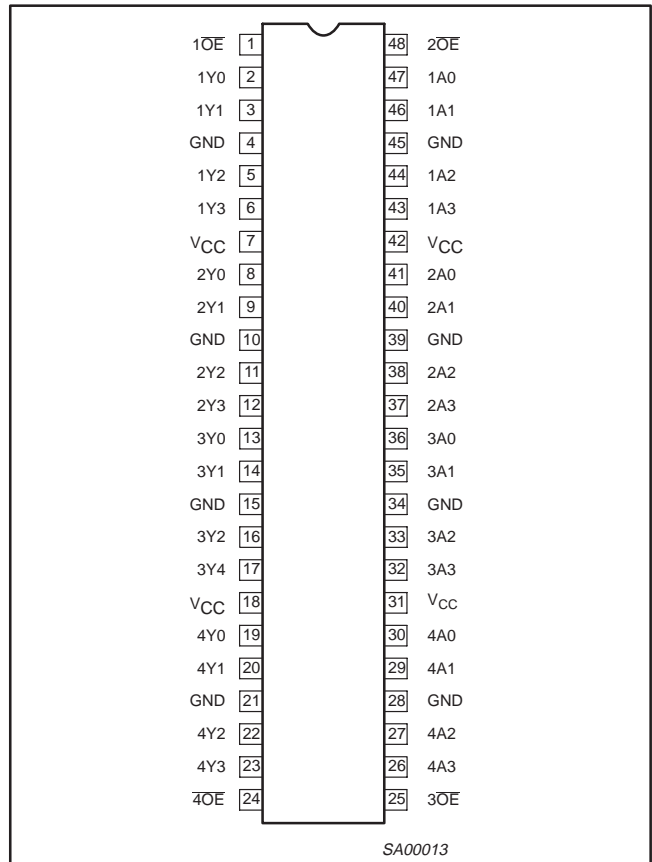
The 74ABT162244 device is a 16-bit buffer that is ideal for driving bus lines. The device features four Output Enables (1 \overline{OE} , 2 \overline{OE} , 3 \overline{OE} , 4 \overline{OE}), each controlling four of the 3-State outputs.

The 74ABT162244 is designed with 30Ω series resistance in both the upper and lower output structures. This design reduces line noise in applications such as memory address drivers, clock drivers and bus receivers/transmitters.

The 74ABT162244 is the same as the 74ABT16244-1. The part number has been changed to reflect industry standards.

Two options are available, 74ABT162244 which does not have the bus hold feature and the 74ABTH162244 which incorporates the bus hold feature.

PIN CONFIGURATION



QUICK REFERENCE DATA

| SYMBOL | PARAMETER | CONDITIONS T _{amb} = 25°C; GND = 0V | TYPICAL | UNIT |
|--------------------------------------|---------------------------------|--|------------|------|
| t _{PLH} t _{PHL} | Propagation delay nAx to nYx | C _L = 50pF; V _{CC} = 5V | 1.8 3.2 | ns |
| C _{IN} | Input capacitance | V _I = 0V or V _{CC} | 3 | pF |
| C _{OUT} | Output capacitance | V _O = 0V or V _{CC} ; 3-State | 7 | pF |
| I _{CCZ} | Quiescent supply current | Outputs disabled; V _{CC} = 5.5V | 500 | μA |
| I _{CCL} | | Outputs Low; V _{CC} = 5.5V | 10 | mA |

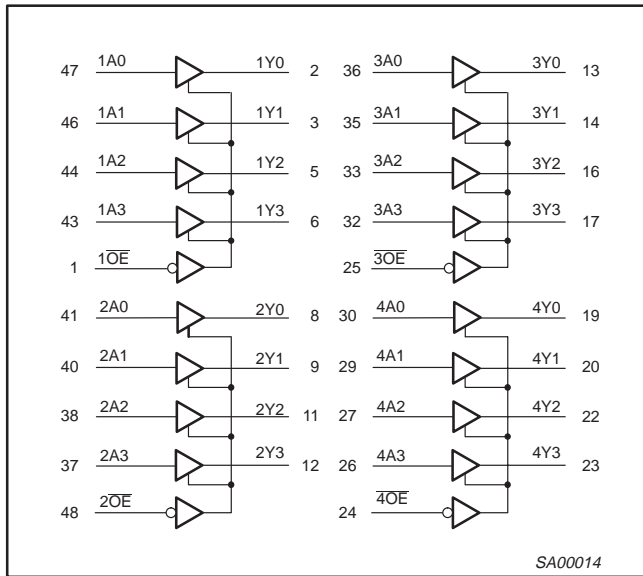
ORDERING INFORMATION

| PACKAGES | TEMPERATURE RANGE | OUTSIDE NORTH AMERICA | NORTH AMERICA | DWG NUMBER |
|------------------------------|-------------------|-----------------------|---------------|------------|
| 48-Pin Plastic SSOP Type III | -40°C to +85°C | 74ABT162244 DL | BT162244 DL | SOT370-1 |
| 48-Pin Plastic TSSOP Type II | -40°C to +85°C | 74ABT162244 DGG | BT162244 DGG | SOT362-1 |
| 48-Pin Plastic SSOP Type III | -40°C to +85°C | 74ABTH162244 DL | BH162244 DL | SOT370-1 |
| 48-Pin Plastic TSSOP Type II | -40°C to +85°C | 74ABTH162244 DGG | BH162244 DGG | SOT362-1 |

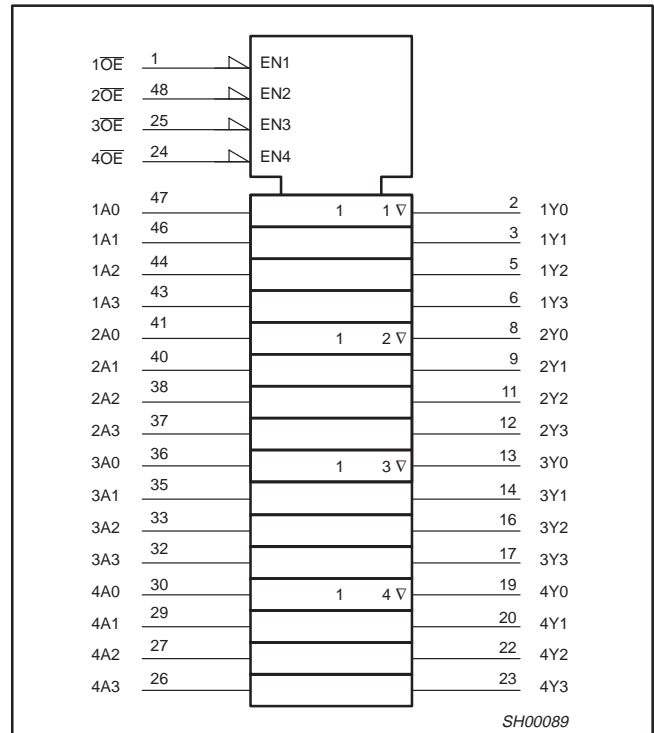
16-bit buffer/line driver with 30Ω series termination resistors (3-State)

74ABT162244
74ABTH162244

LOGIC SYMBOL



LOGIC SYMBOL (IEEE/IEC)

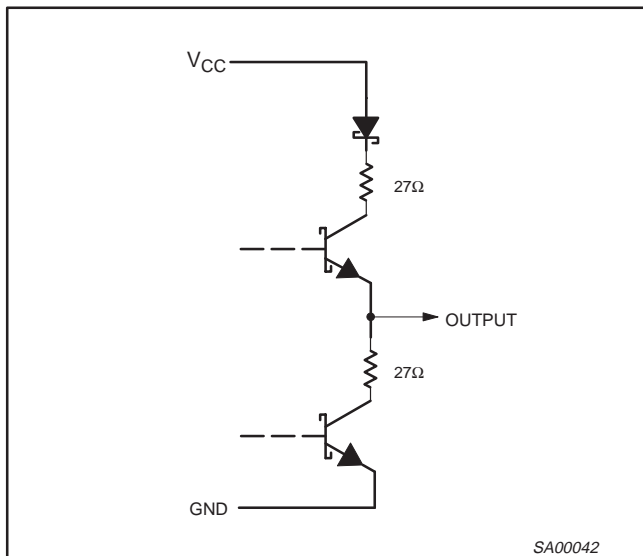


FUNCTION TABLE

| INPUTS | | OUTPUTS |
|--------|-----|---------|
| nOE | nAx | nYx |
| L | L | L |
| L | H | H |
| H | X | Z |

H = High voltage level
L = Low voltage level
X = Don't care
Z = High impedance "off" state

SCHEMATIC OF Y OUTPUTS



PIN DESCRIPTION

| PIN NUMBER | SYMBOL | NAME AND FUNCTION |
|--|---|-------------------------|
| 47, 46, 44, 43 41, 40, 38, 37 36, 35, 33, 32 30, 29, 27, 26 | 1A0 – 1A3, 2A0 – 2A3, 3A0 – 3A3, 4A0 – 4A3 | Data inputs |
| 2, 3, 5, 6 8, 9, 11, 12 13, 14, 16, 17 19, 20, 22, 23 | 1Y0 – 1Y3, 2Y0 – 2Y3, 3Y0 – 3Y3, 4Y0 – 4Y3 | Data outputs |
| 1, 48 25, 24 | 1OE, 2OE, 3OE, 4OE | Output enables |
| 4, 10, 15, 21 28, 34, 39, 45 | GND | Ground (0V) |
| 7, 18, 31, 42 | VCC | Positive supply voltage |

16-bit buffer/line driver with 30Ω series termination resistors (3-State)

74ABT162244
74ABTH162244

ABSOLUTE MAXIMUM RATINGS^{1, 2}

| SYMBOL | PARAMETER | CONDITIONS | RATING | UNIT |
|------------------|--------------------------------|-----------------------------|--------------|------|
| V _{CC} | DC supply voltage | | -0.5 to +7.0 | V |
| I _{IK} | DC input diode current | V _I < 0 | -18 | mA |
| V _I | DC input voltage ³ | | -1.2 to +7.0 | V |
| I _{OK} | DC output diode current | V _O < 0 | -50 | mA |
| V _{OUT} | DC output voltage ³ | output in Off or High state | -0.5 to +5.5 | V |
| I _{OUT} | DC output current | output in Low state | 128 | mA |
| | | output in High state | -64 | |
| T _{stg} | Storage temperature range | | -65 to 150 | °C |

NOTES:

- Stresses beyond those listed may cause permanent damage to the device. These are stress ratings only and functional operation of the device at these or any other conditions beyond those indicated under "recommended operating conditions" is not implied. Exposure to absolute-maximum-rated conditions for extended periods may affect device reliability.
- The performance capability of a high-performance integrated circuit in conjunction with its thermal environment can create junction temperatures which are detrimental to reliability. The maximum junction temperature of this integrated circuit should not exceed 150°C.
- The input and output voltage ratings may be exceeded if the input and output current ratings are observed.

RECOMMENDED OPERATING CONDITIONS

| SYMBOL | PARAMETER | LIMITS | | UNIT |
|------------------|--------------------------------------|--------|-----------------|------|
| | | Min | Max | |
| V _{CC} | DC supply voltage | 4.5 | 5.5 | V |
| V _I | Input voltage | 0 | V _{CC} | V |
| V _{IH} | High-level input voltage | 2.0 | | V |
| V _{IL} | Low-level input voltage | | 0.8 | V |
| I _{OH} | High-level output current | | -32 | mA |
| I _{OL} | Low-level output current | | 12 | mA |
| Δt/Δv | Input transition rise or fall rate | 0 | 10 | ns/V |
| T _{amb} | Operating free-air temperature range | -40 | +85 | °C |

16-bit buffer/line driver with 30Ω series termination resistors (3-State)

74ABT162244 74ABTH162244

DC ELECTRICAL CHARACTERISTICS

| SYMBOL | PARAMETER | TEST CONDITIONS | LIMITS | | | | | UNIT |
|--------------------|---|--|--------------------------|-------|------|-----------------------------------|------|------|
| | | | T _{amb} = +25°C | | | T _{amb} = -40°C to +85°C | | |
| | | | Min | Typ | Max | Min | Max | |
| V _{IK} | Input clamp voltage | V _{CC} = 4.5V; I _{IK} = -18mA | | -0.9 | -1.2 | | -1.2 | V |
| V _{OH} | High-level output voltage ³ | V _{CC} = 4.5V; I _{OH} = -3mA; V _I = V _{IL} or V _{IH} | 2.5 | 2.9 | | 2.5 | | V |
| | | V _{CC} = 5V; I _{OH} = -3mA; V _I = V _{IL} or V _{IH} | 3.0 | 3.4 | | 3.0 | | V |
| | | V _{CC} = 4.5V; I _{OH} = -32mA; V _I = V _{IL} or V _{IH} | 2.0 | 2.4 | | 2.0 | | V |
| V _{OL} | Low-level output voltage | V _{CC} = 4.5V; I _{OL} = 8mA; V _I = V _{IL} or V _{IH} | | | 0.65 | | 0.65 | V |
| | | V _{CC} = 4.5V; I _{OL} = 12mA; V _I = V _{IL} or V _{IH} | | | 0.80 | | 0.80 | V |
| I _I | Input leakage current | V _{CC} = 5.5V; V _I = GND or 5.5V | | ±0.01 | ±1.0 | | ±1.0 | μA |
| I _I | Input leakage current 74ABTH162244 | V _{CC} = 5.5V; V _I = V _{CC} or GND | Control pins | ±0.01 | ±1.0 | | ±1.0 | μA |
| | | V _{CC} = 5.5V; V _I = V _{CC} | | 0.01 | 1.0 | | 1.0 | μA |
| | | V _{CC} = 5.5V; V _I = 0 | Data pins | -2.0 | -3.0 | | -5.0 | μA |
| I _{HOLD} | Bus Hold Current A Inputs ⁴ 74ABTH162244 | V _{CC} = 4.5V; V _I = 0.8V | 50 | | | 50 | | μA |
| | | V _{CC} = 5.5V; V _I = 2.0V | -75 | | | -75 | | |
| | | V _{CC} = 5.5V; V _I = 0 to 5.5V | ±500 | | | | | |
| I _{OFF} | Power-off leakage current | V _{CC} = 0.0V; V _O or V _I ≤ 4.5V | | ±5.0 | ±100 | | ±100 | μA |
| I _{PU/PD} | Power-up/down 3-State output current | V _{CC} = 2.0V; V _O = 0.5V; V _I = GND or V _{CC} ; V _{OE} = Don't care | | ±5.0 | ±50 | | ±50 | μA |
| I _{OZH} | 3-State output High current | V _{CC} = 5.5V; V _O = 5.5V; V _I = V _{IL} or V _{IH} | | 0.1 | 10 | | 10 | μA |
| I _{OZL} | 3-State output Low current | V _{CC} = 5.5V; V _O = 0.0V; V _I = V _{IL} or V _{IH} | | -0.1 | -10 | | -10 | μA |
| I _{CEx} | Output High leakage current | V _{CC} = 5.5V; V _O = 5.5V; V _I = GND or V _{CC} | | 5.0 | 50 | | 50 | μA |
| I _O | Output current ¹ | V _{CC} = 5.5V; V _O = 2.5V | -50 | -100 | -180 | -50 | -180 | mA |
| I _{CCH} | Quiescent supply current ³ | V _{CC} = 5.5V; Outputs High, V _I = GND or V _{CC} | | 0.50 | 1.0 | | 1.0 | mA |
| I _{CCL} | | V _{CC} = 5.5V; Outputs Low, V _I = GND or V _{CC} | | 10 | 19 | | 19 | mA |
| I _{CCZ} | | V _{CC} = 5.5V; Outputs 3-State; V _I = GND or V _{CC} | | 0.50 | 1.0 | | 1.0 | mA |
| ΔI _{CC} | Additional supply current per input pin ^{2, 3} | Outputs enabled, one data input at 3.4V, other inputs at V _{CC} or GND; V _{CC} = 5.5V | | 100 | 250 | | 250 | μA |
| | | Outputs disabled, one data input at 3.4V, other inputs at V _{CC} or GND; V _{CC} = 5.5V | | 100 | 250 | | 250 | μA |
| | | Control pins, outputs disabled, one enable input at 3.4V, other inputs at V _{CC} or GND; V _{CC} = 5.5V | | 100 | 250 | | 250 | μA |

NOTES:

- Not more than one output should be tested at a time, and the duration of the test should not exceed one second.
- This is the increase in supply current for each input at 3.4V.
- This data sheet limit may vary among suppliers.
- This is the bus hold overdrive current required to force the input to the opposite logic state.

16-bit buffer/line driver with 30Ω series termination resistors (3-State)

74ABT162244
74ABTH162244

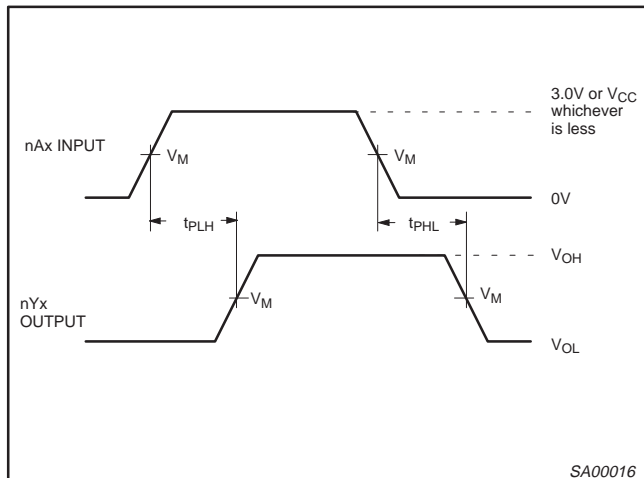
AC CHARACTERISTICS

GND = 0V; $t_R = t_F = 2.5\text{ns}$; $C_L = 50\text{pF}$, $R_L = 500\Omega$

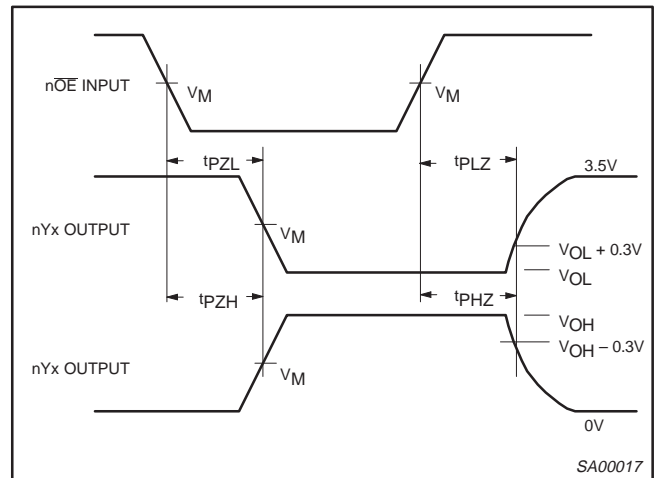
| SYMBOL | PARAMETER | WAVEFORM | LIMITS | | | | | UNIT |
|--------------------------------------|--|----------|--|------------|------------|--|------------|------|
| | | | $T_{\text{amb}} = +25^\circ\text{C}$ $V_{\text{CC}} = +5.0\text{V}$ | | | $T_{\text{amb}} = -40^\circ\text{C to } +85^\circ\text{C}$ $V_{\text{CC}} = +5.0\text{V} \pm 0.5\text{V}$ | | |
| | | | Min | Typ | Max | Min | Max | |
| t_{PLH} t_{PHL} | Propagation delay nAx to nYx | 1 | 1.0 1.6 | 1.8 3.2 | 2.4 4.0 | 1.0 1.6 | 2.7 4.4 | ns |
| t_{PZH} t_{PZL} | Output enable time to High and Low level | 2 | 1.2 2.6 | 2.7 5.0 | 3.5 6.2 | 1.2 2.6 | 4.3 7.3 | ns |
| t_{PHZ} t_{PLZ} | Output disable time from High and Low level | 2 | 1.5 1.3 | 3.0 2.6 | 3.8 3.3 | 1.5 1.3 | 4.5 4.6 | ns |

AC WAVEFORMS

$V_M = 1.5\text{V}$, $V_{\text{IN}} = \text{GND to } 3.0\text{V}$



Waveform 1. Input (An) to Output (Yn) Propagation Delays

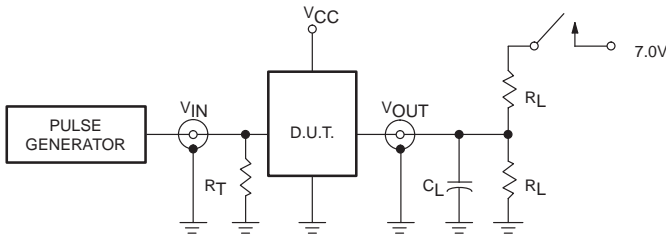


Waveform 2. 3-State Output Enable and Disable Times

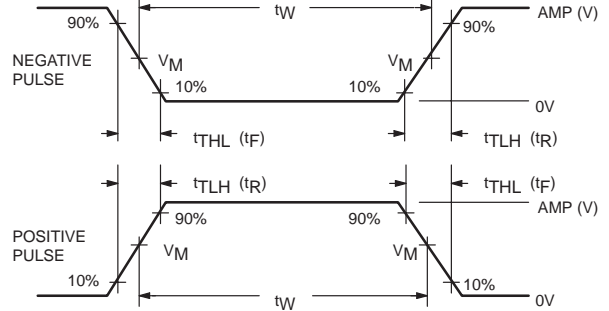
16-bit buffer/line driver with 30Ω series termination resistors (3-State)

74ABT162244
74ABTH162244

TEST CIRCUIT AND WAVEFORMS



Test Circuit for 3-State Outputs



VM = 1.5V
Input Pulse Definition

SWITCH POSITION

| TEST | SWITCH |
|-----------|--------|
| tPLZ | closed |
| tPZL | closed |
| All other | open |

DEFINITIONS

RL = Load resistor; see AC CHARACTERISTICS for value.
 CL = Load capacitance includes jig and probe capacitance; see AC CHARACTERISTICS for value.
 RT = Termination resistance should be equal to ZOUT of pulse generators.

| FAMILY | INPUT PULSE REQUIREMENTS | | | | |
|-----------|--------------------------|-----------|-------|-------|-------|
| | Amplitude | Rep. Rate | tW | tR | tF |
| 74ABT/H16 | 3.0V | 1MHz | 500ns | 2.5ns | 2.5ns |

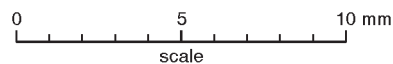
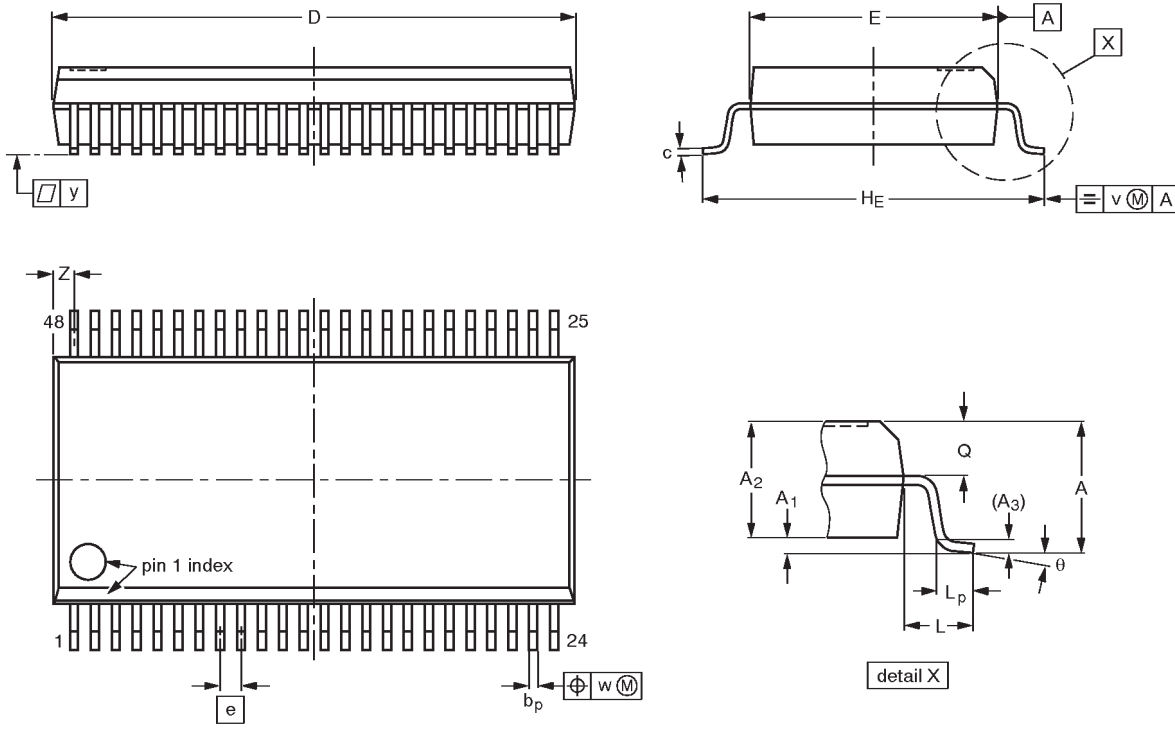
SA00018

16-bit buffer/line driver with 30Ω series termination resistors (3-State)

74ABT162244
74ABTH162244

SSOP48: plastic shrink small outline package; 48 leads; body width 7.5 mm

SOT370-1



DIMENSIONS (mm are the original dimensions)

| UNIT | A max. | A ₁ | A ₂ | A ₃ | b _p | c | D ⁽¹⁾ | E ⁽¹⁾ | e | H _E | L | L _p | Q | v | w | y | Z ⁽¹⁾ | θ |
|------|--------|----------------|----------------|----------------|----------------|--------------|------------------|------------------|-------|----------------|-----|----------------|------------|------|------|-----|------------------|----------|
| mm | 2.8 | 0.4 0.2 | 2.35 2.20 | 0.25 | 0.3 0.2 | 0.22 0.13 | 16.00 15.75 | 7.6 7.4 | 0.635 | 10.4 10.1 | 1.4 | 1.0 0.6 | 1.2 1.0 | 0.25 | 0.18 | 0.1 | 0.85 0.40 | 8° 0° |

Note

1. Plastic or metal protrusions of 0.25 mm maximum per side are not included.

| OUTLINE VERSION | REFERENCES | | | | EUROPEAN PROJECTION | ISSUE DATE |
|-----------------|------------|----------|------|--|---------------------|-----------------------|
| | IEC | JEDEC | EIAJ | | | |
| SOT370-1 | | MO-118AA | | | | 93-11-02- 95-02-04 |

16-bit buffer/line driver with 30Ω series termination resistors (3-State)

74ABT162244
74ABTH162244

TSSOP48: plastic thin shrink small outline package; 48 leads; body width 6.1mm

SOT362-1



16-bit buffer/line driver with 30Ω series termination resistors (3-State)

74ABT162244
74ABTH162244

Data sheet status

| Data sheet status | Product status | Definition [1] |
|---------------------------|----------------|--|
| Objective specification | Development | This data sheet contains the design target or goal specifications for product development. Specification may change in any manner without notice. |
| Preliminary specification | Qualification | This data sheet contains preliminary data, and supplementary data will be published at a later date. Philips Semiconductors reserves the right to make changes at any time without notice in order to improve design and supply the best possible product. |
| Product specification | Production | This data sheet contains final specifications. Philips Semiconductors reserves the right to make changes at any time without notice in order to improve design and supply the best possible product. |

[1] Please consult the most recently issued datasheet before initiating or completing a design.

Definitions

Short-form specification — The data in a short-form specification is extracted from a full data sheet with the same type number and title. For detailed information see the relevant data sheet or data handbook.

Limiting values definition — Limiting values given are in accordance with the Absolute Maximum Rating System (IEC 134). Stress above one or more of the limiting values may cause permanent damage to the device. These are stress ratings only and operation of the device at these or at any other conditions above those given in the Characteristics sections of the specification is not implied. Exposure to limiting values for extended periods may affect device reliability.

Application information — Applications that are described herein for any of these products are for illustrative purposes only. Philips Semiconductors make no representation or warranty that such applications will be suitable for the specified use without further testing or modification.

Disclaimers

Life support — These products are not designed for use in life support appliances, devices or systems where malfunction of these products can reasonably be expected to result in personal injury. Philips Semiconductors customers using or selling these products for use in such applications do so at their own risk and agree to fully indemnify Philips Semiconductors for any damages resulting from such application.

Right to make changes — Philips Semiconductors reserves the right to make changes, without notice, in the products, including circuits, standard cells, and/or software, described or contained herein in order to improve design and/or performance. Philips Semiconductors assumes no responsibility or liability for the use of any of these products, conveys no license or title under any patent, copyright, or mask work right to these products, and makes no representations or warranties that these products are free from patent, copyright, or mask work right infringement, unless otherwise specified.

Philips Semiconductors
811 East Arques Avenue
P.O. Box 3409
Sunnyvale, California 94088-3409
Telephone 800-234-7381

© Copyright Philips Electronics North America Corporation 1998
All rights reserved. Printed in U.S.A.

print code

Date of release: 05-96

Document order number:

9397-750-04708

Let's make things better.

This datasheet has been downloaded from:

www.DatasheetCatalog.com

Datasheets for electronic components.