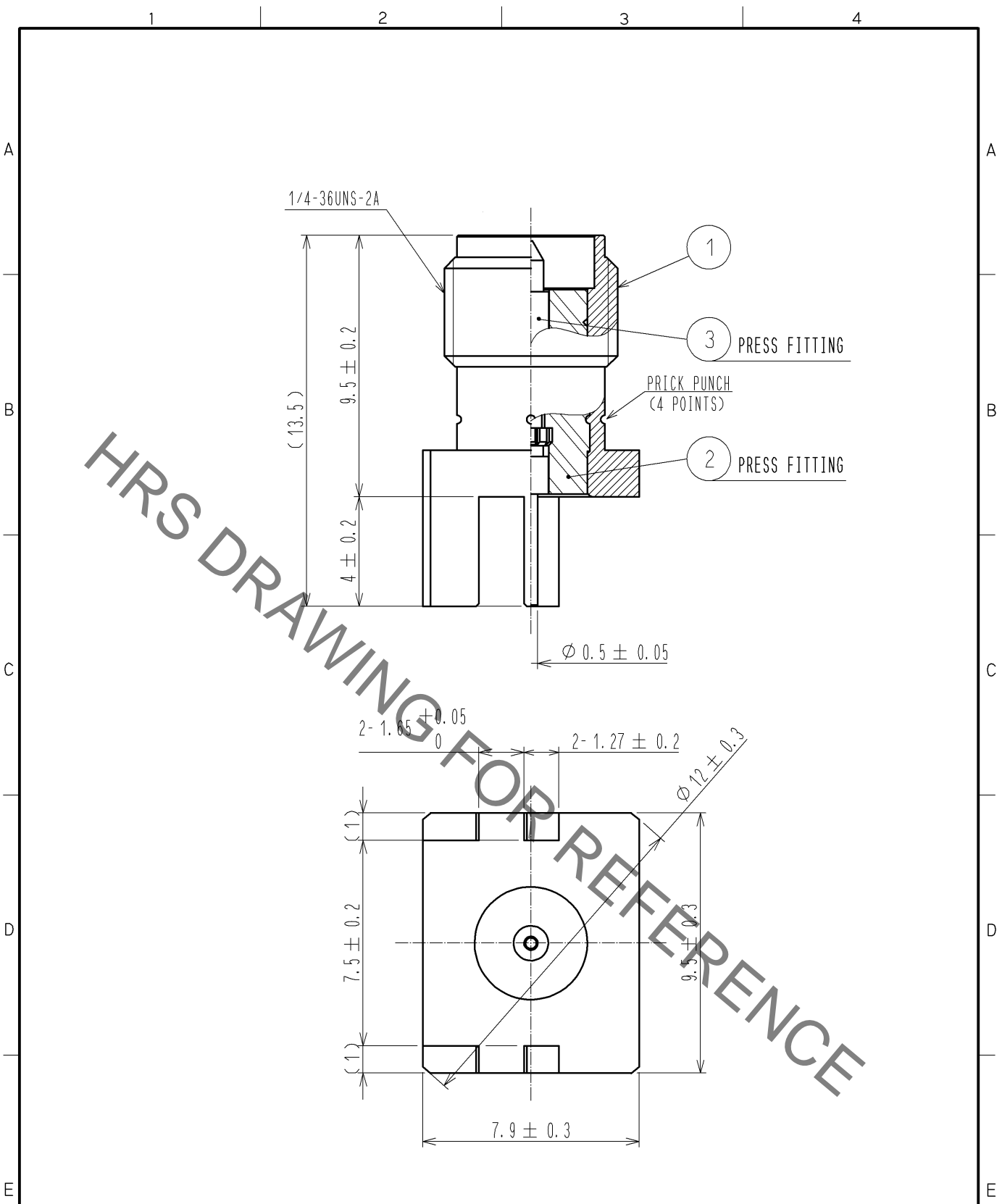


Aug.1.2022 Copyright 2022 HIROSE ELECTRIC CO., LTD. All Rights Reserved.
 In case of consideration for using Automotive equipment / device which demand high reliability, kindly contact our sales window correspondents.



RoHS COMPLIANT

2	PTFE							
1	BRASS	GOLD PLATING		3	BRASS	GOLD PLATING		
NO.	MATERIAL	FINISH	REMARKS	NO.	MATERIAL	FINISH	REMARKS	
UNITS mm		SCALE 5 : 1	COUNT 	DESCRIPTION OF REVISIONS		DESIGNED	CHECKED	DATE
HIROSE ELECTRIC CO., LTD.		APPROVED : MH. YAMANE	11. 09. 13	DRAWING NO.		EDC4-310094-00		
		CHECKED : NK. NINOMIYA	11. 09. 13	PART NO.		SMA(R)-R-ELBG-1		
		DESIGNED : YI. FUNADA	11. 09. 08	CODE NO.		CL323-0866-3-00		
		DRAWN : YI. FUNADA	11. 09. 08			1/1		