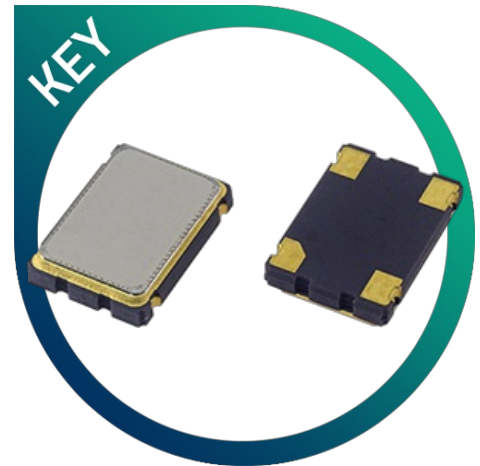


# GXO-7551

## 5V CMOS Oscillator with Power Saving Function

- Standard frequencies held in stock
- Enable/disable tristate function
- Power saving option
- Competitive pricing



### CONFIGURABLE OPTIONS

Parameter	Option Code
Frequency	
Frequency stability	
Any	
±100ppm	
±50ppm	B
±25ppm	A
±20ppm	D
Operating temperature range	
Any	
-10 to +70 °C	
-40 to +85 °C	I
Enable / disable function	
Any	
Standard tristate, no power saving	
None (pad 1 not connected)	N
Power-saving (standby current 10µA)	P

## SPECIFICATIONS

Frequency range	0.50 ~ 107MHz
Dimensions	7.0 x 5.0 x 1.4mm
Storage temperature range	-55 to +125 °C
Supply voltage ( $V_{DD}$ )	+5.0V ( $\pm 5\%$ )
Supply current	10mA max (0.5 ~ 29.9MHz) 15mA max (30.0 ~ 34.9MHz) 30mA max (35.0 ~ 65.9MHz) 50mA max (66.0 ~ 80.0MHz) 60mA max (80.1 ~ 107MHz)
Logic levels	'0' level = 10% $V_{DD}$ max '1' level = 90% $V_{DD}$ min
Start up time	10ms max
Waveform symmetry	45:55 max 40:60 max (>50.0MHz)
Driving ability * see note below	15pF CMOS
Rise / fall time	10ns max (<40MHz) 7ns max (40.0~99.9MHz) 5ns max (>100MHz)

\* Will drive up to 50pF, but figures for rise/fall and supply current may vary from those shown. For details, contact our sales office.

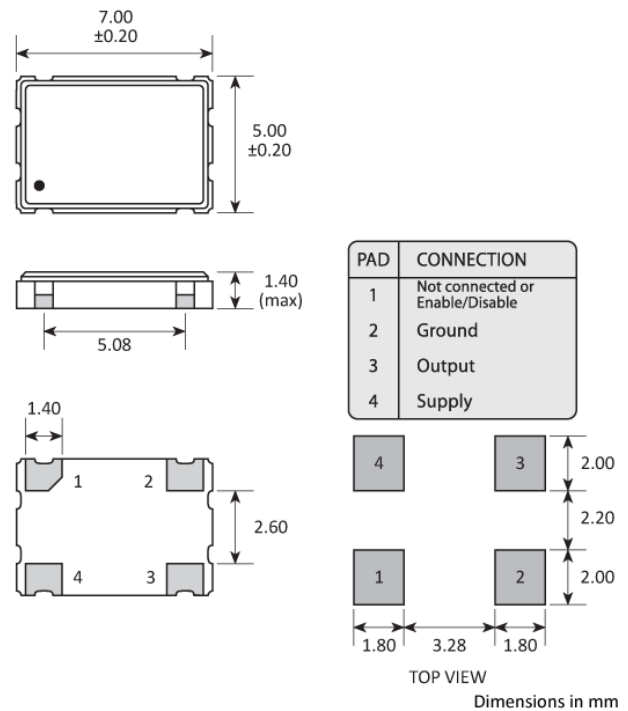
## ORDERING INFORMATION

To request a quotation for the GXO-7551 please use the configurable options form to choose the options you require and then submit your configured product to our team. Our expert advisers are always happy to help with your requirements and can be contacted on +44 1460 256 100 or at [sales@golledge.com](mailto:sales@golledge.com).

Following product selection you will be issued with a seven character Golledge part number. Your Golledge part number is the internationally accepted Golledge manufacturing part number (MPN) that should be used for all project documentation, including bills of materials (BoMs) and purchase orders.

If you have any queries regarding any of our documentation our dedicated sales team will be happy to help.

## PACKAGE DRAWING



## ENABLE / DISABLE FUNCTION

Input (pad 1)	Output (pad 3)
Open	Enabled
'1' level	Enabled
'0' level	High Impedance

**MARKING**

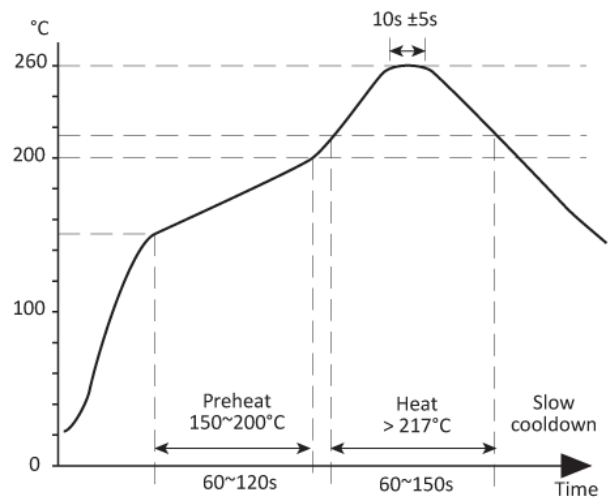
GOLLEDGE  
FREQUENCY  
• PARTNO DC

- Pin 1
- Marking type: Laser

DC = Date Code in YM, eg. "GF" = Jun 2017

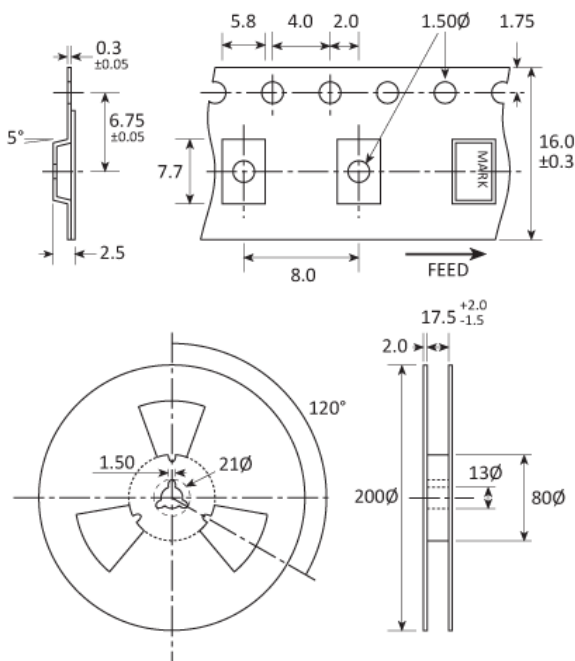
	A	B	C	D	E	F	G	H	J	K	L	M
Y	1	2	3	4	5	6	7	8	9	0		
M	Jan	Feb	Mar	Apr	May	Jun	Jul	Aug	Sep	Oct	Nov	Dec

**SOLDERING PROFILE**



Lead free solderability limits: 260°C ±5°C x 10s ±5s x 2.

**TAPE & REEL SPECIFICATION**



Dimensions in mm

**HANDLING & STORAGE**



Human Body Model (HBM) 1A (250V to <500V)



Moisture Sensitivity Level (MSL): 1 (or not applicable)

## CONSTRUCTION

---

Ceramic body with gold-plated pads  
Metal lid, seam sealed

## MATERIAL COMPOSITION

---



Lead-free (< 0.1% by weight )



RoHS compliant with no exemptions. [See our declaration](#)



REACH compliant. [See our statement](#)



Free of conflict minerals. [See our declaration](#)



Free of Halogens. [See our declaration](#)



Free of Ozone-depleting substances. [See our declaration](#)

## OTHER INFORMATION

### About Golledge

We are the UK's leading supplier of frequency control products and are proud to serve the global electronics industry. Our philosophy is a focus firmly on your requirements by striving to meet and exceed your needs. We do this by ensuring the utmost quality and consistency in our products and services. If you have any queries about the Golledge service or any of our products please get in touch, we'd love to hear from you.

### Come and visit

Eaglewood Park, ILMINSTER,  
Somerset, TA19 9DQ, England

### Give us a call

Tel: +44 1460 256 100  
Fax: +44 1460 256 101

### Email us

sales@golledge.com

### Our Worldwide Distributors

#### Belgium & Luxembourg

Alcom Electronics NV/SA



Email info@alcom.be  
Web www.alcom.be  
Tel +32 (0)3 458.30.33

#### China, Hong Kong - 中国 / 香港

Meiya China



Email sales@meiyatech.com  
Web www.meiyatech.com  
Tel +86 755 2823 1923

#### France

Equipments Scientifique



Email comp@es-france.com  
Web www.es-france.com  
Tel +33 1 47 95 99 89

#### Germany

MEV Elektronik Service GmbH



Email info@mev-elektronik.com  
Web www.mev-elektronik.com  
Tel +49 54 24 23 40-0

#### India

V5 Semiconductors



Email sales@v5semiconductors.com  
Web v5semiconductors.com  
Tel +91-80-2661 0621

#### Israel

Phoenix Technologies Ltd



Email sales@phnx.co.il  
Web www.phnx.co.il  
Tel +972 9 764 4800

#### Netherlands

Alcom Electronics BV



Email info@alcom.nl  
Web alcom.nl  
Tel +31 (0)10 288.25.00

#### Norway & Sweden

Link Nordic



Email thomas.olaussen@linknordic.com  
Web linknordic.com  
Tel +47 92 23 37 54

#### Russia - Россия

EFO Ltd



Email elena@efo.ru  
Web www.golledge.ru  
Tel +7(812)327-8654

#### Spain & Portugal

R.C. Microelectronica, S.A.



Email ventas@rcmicro.es  
Web www.rcmicro.es  
Tel +34 93 260 21 66

Our customer feedback is testament to our quality; "Never had such good service as this from anyone in 35 years of being in the industry, this is impressive and has really helped us out of a corner to keep the design flowing" Andy (Senior Design Engineer), "As always your support is state of the art" Nicoleta (Material Management), "Legendary work - as usual it has to be said" John (Operations).  
To take advantage of our highly praised service get in touch with us today.