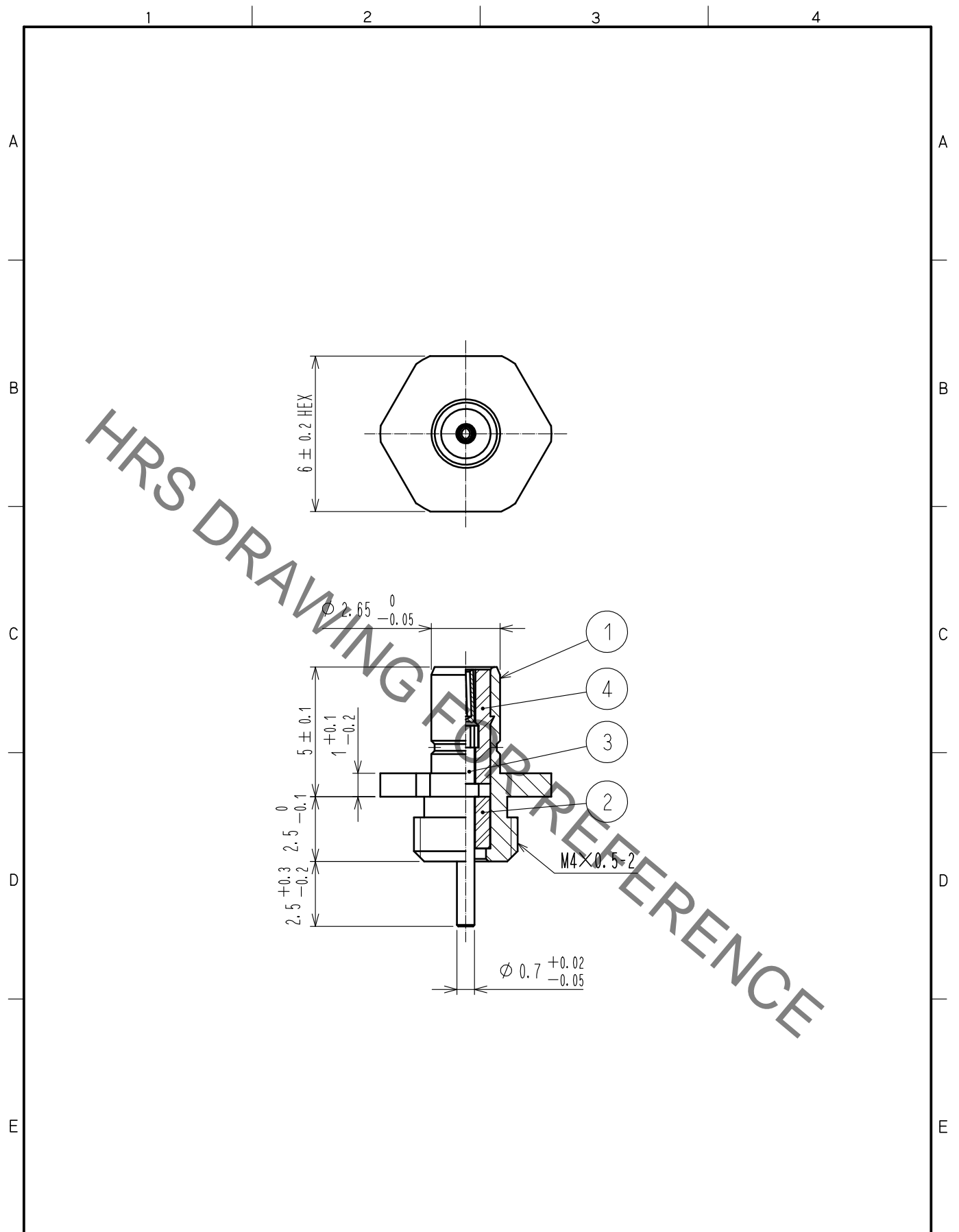


Aug.1.2022 Copyright 2022 HIROSE ELECTRIC CO., LTD. All Rights Reserved.
 In case of consideration for using Automotive equipment / device which demand high reliability, kindly contact our sales window correspondents.



2	PTFE		4	PTFE	
1	BRASS	GOLD PLATING	3	BERYLLIUM COPPER	GOLD PLATING
NO.	MATERIAL	FINISH . REMARKS	NO.	MATERIAL	FINISH . REMARKS
UNITS mm		SCALE 5 : 1	COUNT 	DESCRIPTION OF REVISIONS	DESIGNED
					CHECKED
					DATE
HIROSE ELECTRIC CO., LTD.	APPROVED	:NK. NINOMIYA	20220314	DRAWING NO.	EDC-046145-40-00
	CHECKED	:NK. NINOMIYA	20220314	PART NO.	P06-R-4(40)
	DESIGNED	:MT. KANEKO	20220314	CODE NO.	CL0328-0038-3-40
	DRAWN	:YK. MITSUISHI	20220314		