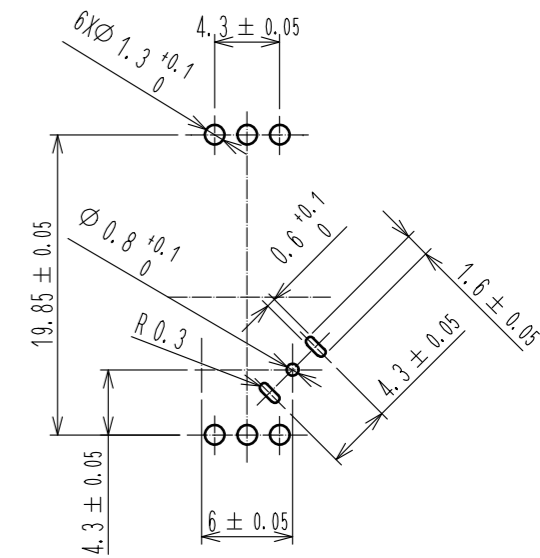
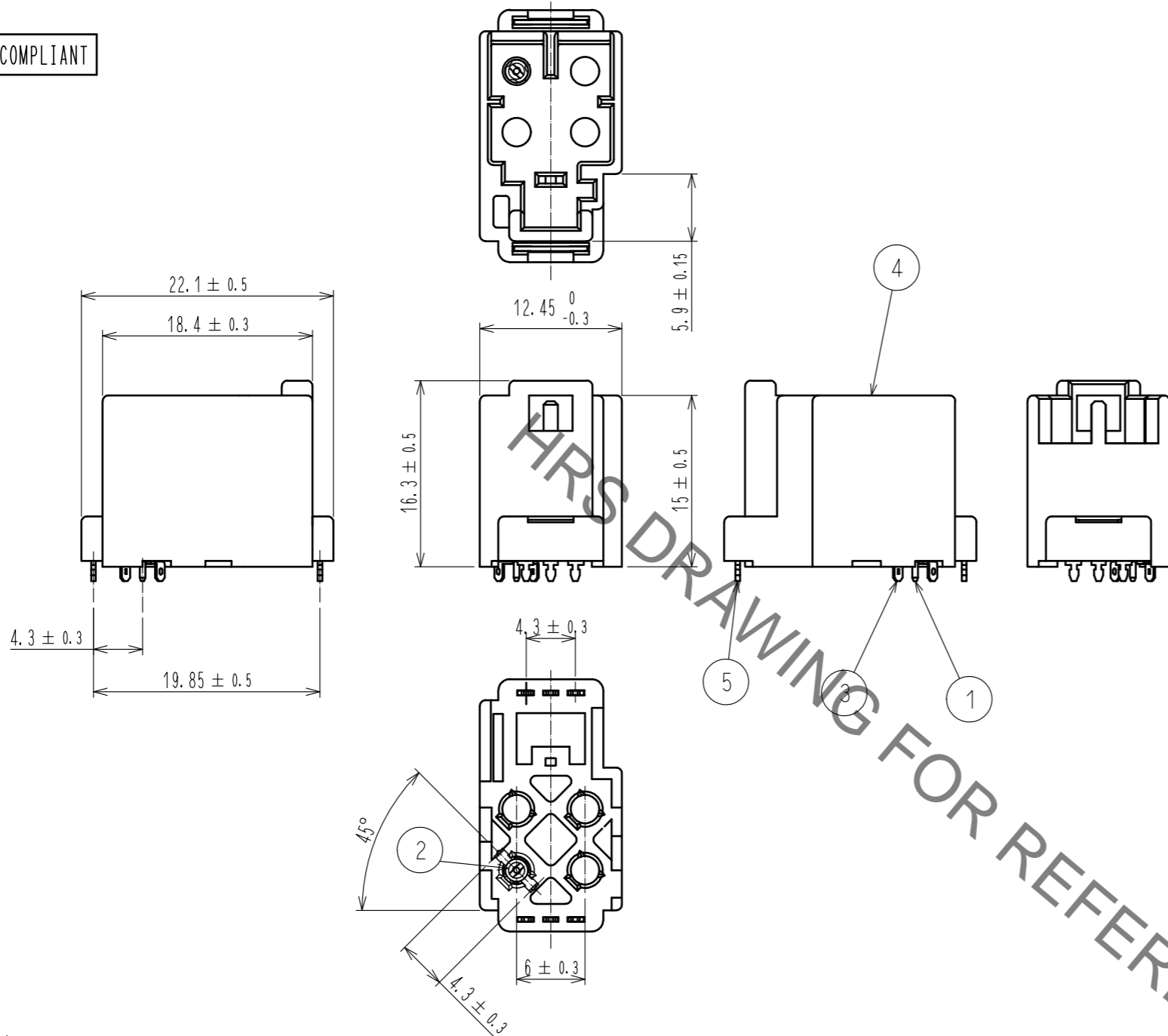
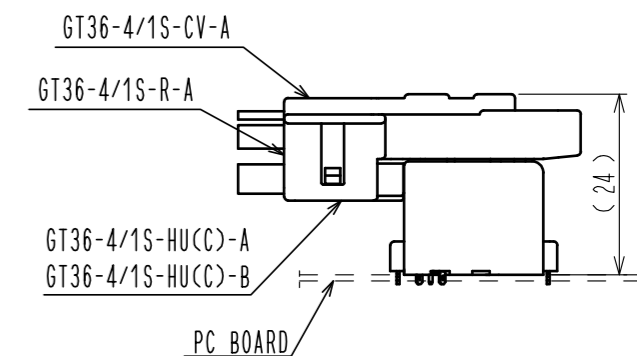


Aug.1.2022 Copyright 2022 HIROSE ELECTRIC CO., LTD. All Rights Reserved.
In case of consideration for using Automotive equipment / device which demand high reliability, kindly contact our sales window correspondents.

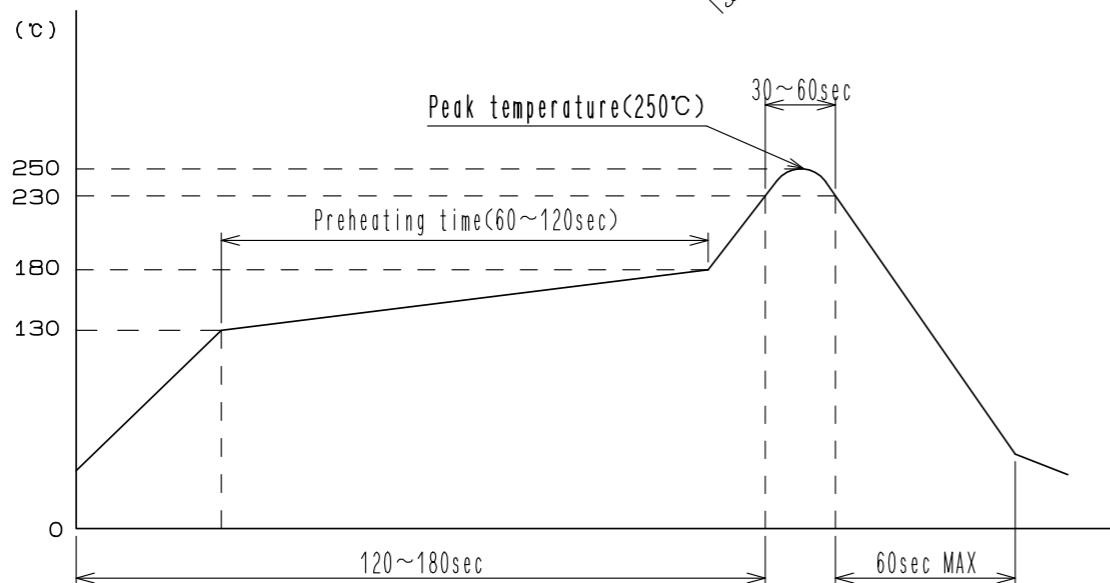
ELV, RoHS COMPLIANT



RECOMMENDED PC BOARD PATTERN



MATING FIGURE



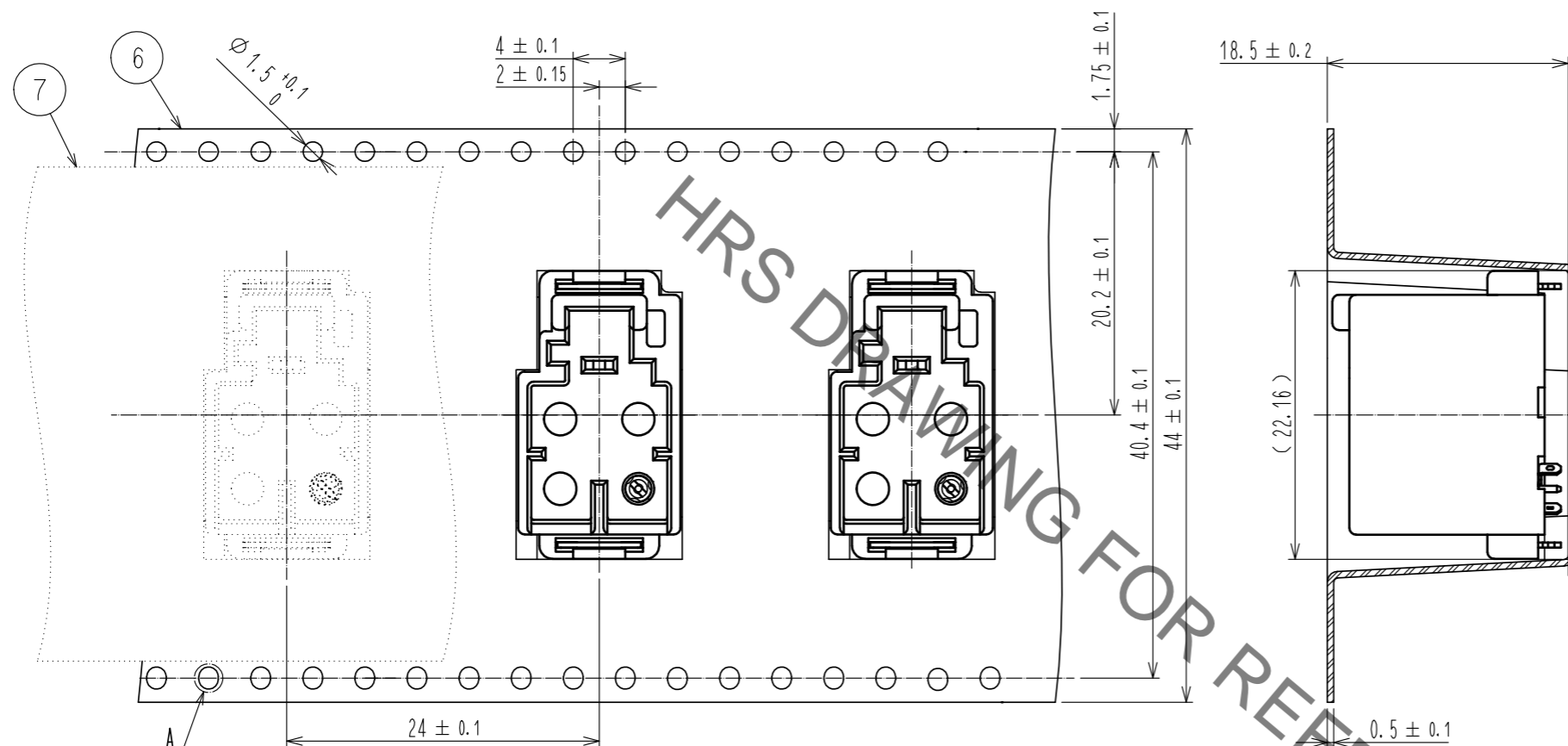
RECOMMENDED REFLOW PROFILE

4	PA	BLUE			
3	Cu ALLOY	TIN PLATING	7	POLYESTER	CLEAR. COVER TAPE
2	PA	NATURAL	6	PS	CLEAR. EMBOSSED CARRIER TAPE
1	Cu ALLOY	TIN PLATING	5	Cu ALLOY	TIN PLATING
NO.	MATERIAL	FINISH . REMARKS	NO.	MATERIAL	FINISH . REMARKS
UNITS mm		SCALE 2 : 1	COUNT 	DESCRIPTION OF REVISIONS	
APPROVED : KI. HIROKAWA 20200229			DESIGNED	CHECKED	
CHECKED : MO. OKADA 20200229			DATE		
DESIGNED : HK. WATANABE 20200228			DRAWING NO. EDC-169435-55-00		
DRAWN : YK. MITSUISHI 20200226			PART NO. GT36-4DOP-DSAC(55)		
			CODE NO. CL786-0013-6-55		
			1/2		

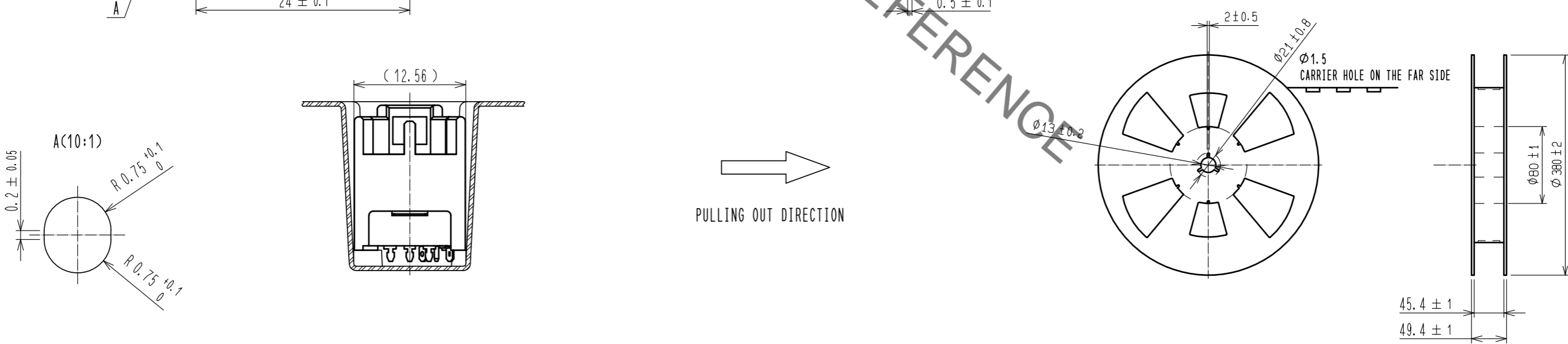
Aug.1.2022 Copyright 2022 HIROSE ELECTRIC CO., LTD. All Rights Reserved.
 In case of consideration for using Automotive equipment / device which demand high reliability, kindly contact our sales window correspondents.

ELV, RoHS COMPLIANT

PACKING STYLE EMBOSSED PRODUCTS(FREE)



STYLE AND DIMENTION OF REEL(FREE)



PULLING OUT DIRECTION

NOTE 1. 200PCS/REEL.

HRS	DRAWING NO.	EDC-169435-55-00
	PART NO.	GT36-4DOP-DSAC(55)
	CODE NO.	CL786-0013-6-55
		2/2