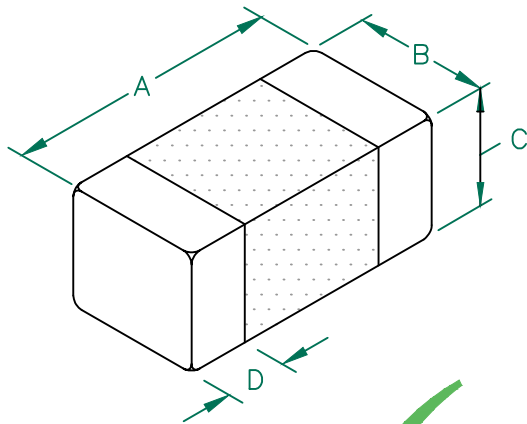


HI0603R300R-10

PHYSICAL DIMENSIONS:

A	1.60 [.063]	+ 0.15	-.006	[.006]
B	0.80 [.031]	+ 0.15	-.006	[.006]
C	0.80 [.031]	+ 0.15	-.006	[.006]
D	0.36 [.014]	+ 0.15	-.006	[.006]



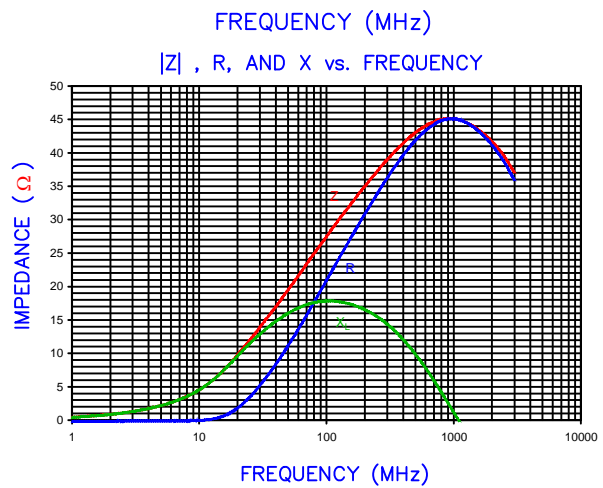
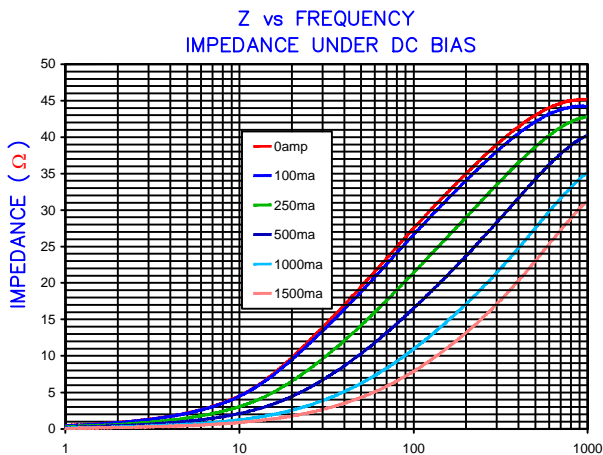
RoHS

ELECTRICAL CHARACTERISTICS:

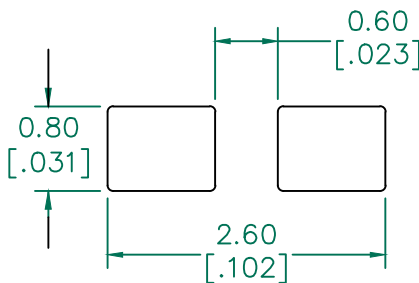
	Z @ 100MHz (Ω)	DCR (Ω)	Rated Current
Nominal	30		
Minimum	23		
Maximum	38	0.01	5000 mA

NOTES: UNLESS OTHERWISE SPECIFIED

1. TAPED AND REELED per CURRENT EIA SPECIFICATIONS 7" REELS, 4000 PCS/REEL.
2. TERMINATION FINISH IS 100% TIN.
3. COMPONENTS SHOULD BE ADEQUATELY PREHEATED BEFORE SOLDERING.
4. OPERATING TEMPERATURE: -55°C~+125°C (INCLUDING SELF-HEATING)
5. COSMETIC SPECIFICATION REFER TO WI-QA-124.

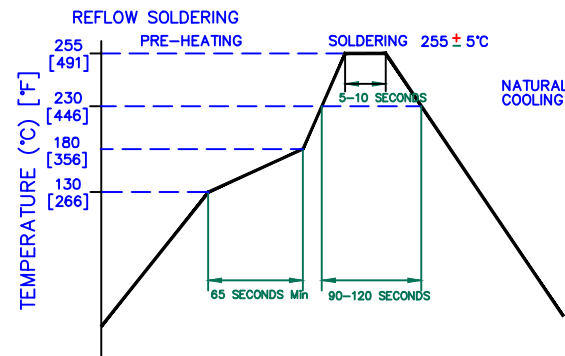


LAND PATTERNS FOR REFLOW SOLDERING



(For wave soldering, add 0.762 [.030] to this dimension)

RECOMMENDED SOLDERING CONDITIONS



DIMENSIONS ARE IN mm [INCHES].				This print is the property of Laird Tech. and is loaned in confidence subject to return upon request and with the understanding that no copies shall be made without the written consent of Laird Tech. All rights to design or invention are reserved.		
C	UPDATE LAIRD LOGO AND NOTES 4	08/05/13	QU	PROJECT/PART NUMBER:	REV	PART TYPE:
B	ADD OPERATING TEMPERATURE ADD DC BIAS AND UPDATE IR-REFLOW	11/16/12	QU	HI0603R300R-10	C	CO-FIRE
A	ORIGINAL DRAFT	03/01/11	YUKI	DATE:	SCALE:	SHEET:
REV	DESCRIPTION	DATE	INT	11/16/12	-	1 of 1
				CAD #	TOOL #	
				HI0603R300R-10-C	-	

