

PDB 系列 Series

直流链支撑电容器 DC-Link

基本技术特点 GENERAL TECHNICAL CHARACTERISTICS

引用标准 Reference Standards	IEC 61071-60068
绝缘介质 Dielectric	聚丙烯薄膜 Polypropylene film
结构 Construction	乾式结构 Dry construction
封装 Coating	UL94V-0 阻燃防火聚酯塑胶外壳, 环氧树脂灌封 Polyester can, UL94V-0 resin end fill
端子 Leads	镀锡铜线 Tinned copper wire

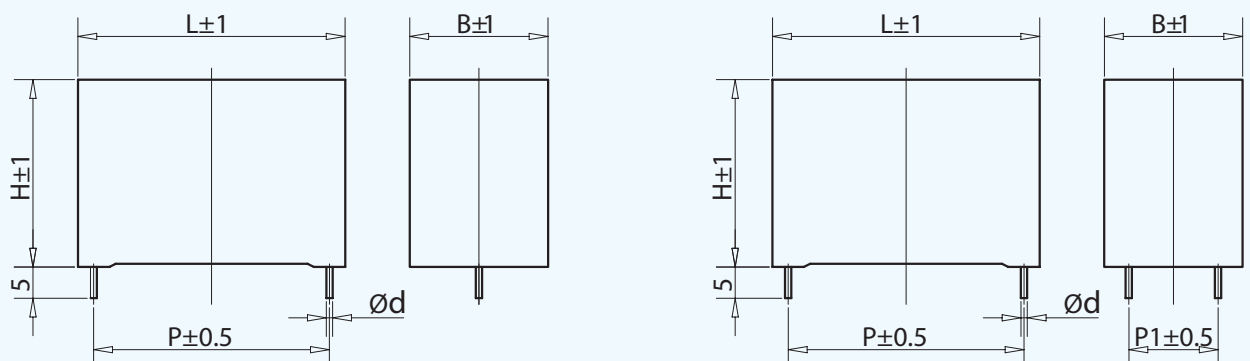


技术规格 ELECTRICAL CHARACTERISTICS

工作温度 Operating Temperature	-40 to +85°C (外壳 case)
电容量 Capacitance	6 to 80μF
额定电压 Rated Voltage	500 to 1100VDC
容差 Tolerance	±5% or ±10%
损耗因数 Dissipation Factor	≤1 × 10 ⁻³ 在100Hz和25±5°C测定 ≤1 × 10 ⁻³ measured at 100Hz and 25±5°C
预期寿命 Life Expectancy	在额定电压和 70°C (热点温度) 的条件下可达100,000小时 100,000 hours at Un and 70°C (Hot-spot temperature)

测试 TEST METHODS AND PERFORMANCE

极间耐电压 Voltage withstand between terminals	在1.5倍额定电压Un下持续10秒 (25±5°C) 1.5Un (DC) applied for 10 sec at 25±5°C
极壳之间耐电压 Test Voltage Terminal to Case	3kVAC/50Hz 持续60秒 3kVAC/50Hz for 60 sec
自放电时间常数 Self discharge time constant	≥5,000 秒 (典型值), 电容器充电1 分钟后增加100VDC (25±5°C) ≥5,000 sec (typical value), after 1 minute of electrification at 100VDC (25±5°C)



规格若有任何变更将不予通知。如有产品安全或技术问题, 请即与我司业务部或代理商联系。
Specifications are subject to change without notice. For any concern on safety or technical aspects on the product, please contact our sales offices or agents immediately.

产品编码和电性规格 PART NUMBER AND ELECTRICAL SPECIFICATIONS

产品编码 Part Number	容量 Cap (μ F)	尺寸 Dimension (mm)						电压 上升 速率 du/dt (V/ μ s)	纹波 电流 I _{rms} @25°C @10kHz (A)	等效 串联 电阻 ESR@ 1.0kHz (m Ω)
		长度 L	宽度 B	高度 H	极距 P	引脚 距离 P1	引线 直径 d			
Un 500VDC, Us 750V, Ur 150V										
PDB166*2HC30**SA	16	42.5	22	30	37.5		1.2	20	10	7.9
PDB256*2HE37**SA	25	42.5	28	37	37.5		1.2	20	12	5.5
PDB256*2HE37**SA	25	42.5	28	37	37.5	10.2	1.2	20	14	5.3
PDB356*2HF45**SA	35	42.5	30	45	37.5		1.2	20	12	4.0
PDB356*2HF45**SA	35	42.5	30	45	37.5	20.3	1.2	20	17	3.8
PDB406*2HH45**SA	40	42.5	33	45	37.5		1.2	20	12	3.6
PDB406*2HH45**SA	40	42.5	33	45	37.5	20.3	1.2	20	19	3.5
PDB456*2HS45**SA	45	57.5	30	45	52.5		1.2	13	12	5.2
PDB456*2HS45**SA	45	57.5	30	45	52.5	20.3	1.2	13	17	5.0
PDB606*2HT50**SA	60	57.5	35	50	52.5		1.2	13	12	4.4
PDB606*2HT50**SA	60	57.5	35	50	52.5	20.3	1.2	13	20	4.3
PDB806*2HU56**SA	80	57.5	42.5	56	52.5	20.3	1.2	13	22	3.7
Un 700VDC, Us 1050V, Ur 200V										
PDB156*2SC30**SA	15	42.5	22	30	37.5		1.2	21	9	8.0
PDB226*2SE37**SA	22	42.5	28	37	37.5		1.2	21	11	5.6
PDB226*2SE37**SA	22	42.5	28	37	37.5	10.2	1.2	21	11	5.4
PDB306*2SF45**SA	30	42.5	30	45	37.5		1.2	21	12	4.2
PDB306*2SF45**SA	30	42.5	30	45	37.5	20.3	1.2	21	14	4.0
PDB356*2SH45**SA	35	42.5	33	45	37.5		1.2	21	12	3.7
PDB356*2SH45**SA	35	42.5	33	45	37.5	20.3	1.2	21	16	3.6
PDB456*2SS45**SA	45	57.5	30	45	52.5		1.2	14	12	5.4
PDB456*2SS45**SA	45	57.5	30	45	52.5	20.3	1.2	14	14	5.2
PDB556*2ST50**SA	55	57.5	35	50	52.5		1.2	14	12	4.5
PDB556*2ST50**SA	55	57.5	35	50	52.5	20.3	1.2	14	17	4.4
PDB806*2SU56**SA	80	57.5	42.5	56	52.5	20.3	1.2	14	22	3.8
Un 900VDC, Us 1350V, Ur 250V										
PDB106*29C30**SA	10	42.5	22	30	37.5		1.2	30	8	9.5
PDB156*29E37**SA	15	42.5	28	37	37.5		1.2	30	11	6.5
PDB156*29E37**SA	15	42.5	28	37	37.5	10.2	1.2	30	11	6.0
PDB206*29F45**SA	20	42.5	30	45	37.5		1.2	30	12	5.0
PDB206*29F45**SA	20	42.5	30	45	37.5	20.3	1.2	30	13	4.5
PDB226*29H45**SA	22	42.5	33	45	37.5		1.2	30	12	4.6
PDB226*29H45**SA	22	42.5	33	45	37.5	20.3	1.2	30	14	4.1
PDB306*29S45**SA	30	57.5	30	45	52.5		1.2	20	12	6.4
PDB306*29S45**SA	30	57.5	30	45	52.5	20.3	1.2	20	13	5.9
PDB406*29T50**SA	40	57.5	35	50	52.5		1.2	20	12	4.9
PDB406*29T50**SA	40	57.5	35	50	52.5	20.3	1.2	20	17	4.4
PDB556*29U56**SA	55	57.5	42.5	56	52.5	20.3	1.2	20	22	3.0

规格若有任何变更将不予通知。如有产品安全或技术问题，请即与我司业务部或代理商联系。
Specifications are subject to change without notice. For any concern on safety or technical aspects on the product, please contact our sales offices or agents immediately.

产品编码和电性规格 PART NUMBER AND ELECTRICAL SPECIFICATIONS

产品编码 Part Number	容量 Cap (μ F)	尺寸 Dimension (mm)						电压 上升 速率 du/dt (v/ μ s)	纹波 电流 I _{rms} @25°C @10kHz (A)	等效 串联 电阻 ESR@ 1.0kHz (m Ω)
		长度 L	宽度 B	高度 H	极距 P	引脚 距离 P1	引线 直径 d			
Un 1100VDC, Us 1650V, Ur 300V										
PDB605*31C30**SA	6	42.5	22	30	37.5		1.2	39	7	12.9
PDB106*31E37**SA	10	42.5	28	37	37.5		1.2	39	10	8.0
PDB106*31E37**SA	10	42.5	28	37	37.5	10.2	1.2	39	10	7.5
PDB146*31F45**SA	14	42.5	30	45	37.5		1.2	39	12	5.8
PDB146*31F45**SA	14	42.5	30	45	37.5	20.3	1.2	39	12	5.3
PDB156*31H45**SA	15	42.5	33	45	37.5		1.2	39	12	5.5
PDB156*31H45**SA	15	42.5	33	45	37.5	20.3	1.2	39	13	5.0
PDB226*31S45**SA	22	57.5	30	45	52.5		1.2	26	12	7.2
PDB226*31S45**SA	22	57.5	30	45	52.5	20.3	1.2	26	13	6.7
PDB256*31T50**SA	25	57.5	35	50	52.5		1.2	26	12	6.4
PDB256*31T50**SA	25	57.5	35	50	52.5	20.3	1.2	26	14	5.9
PDB406*31U56**SA	40	57.5	42.5	56	52.5	20.3	1.2	26	20	3.7

备注： 产品编码的第7位的“*”是代表可选容差为J= \pm 5%或K= \pm 10%。
 产品编码的第13位的“*”是代表可选接脚线数目为2条，4条或6条。
 产品编码的第14位的“*”是代表可选接脚线长度，E即是5mm，3即是30mm。
 Remark： The “*” in 7th digit is used for the capacitance tolerance, J= \pm 5% or K= \pm 10%.
 The “*” in 13th digit is used for the leads style, for 2 leads, 4 leads or 6 leads.
 The “*” in 14th digit is used for the lead length, E for 5mm, 3 for 30mm.

规格若有任何变更将不予通知。如有产品安全或技术问题，请与我司业务部或代理商联系。
 Specifications are subject to change without notice. For any concern on safety or technical aspects on the product,
 please contact our sales offices or agents immediately.