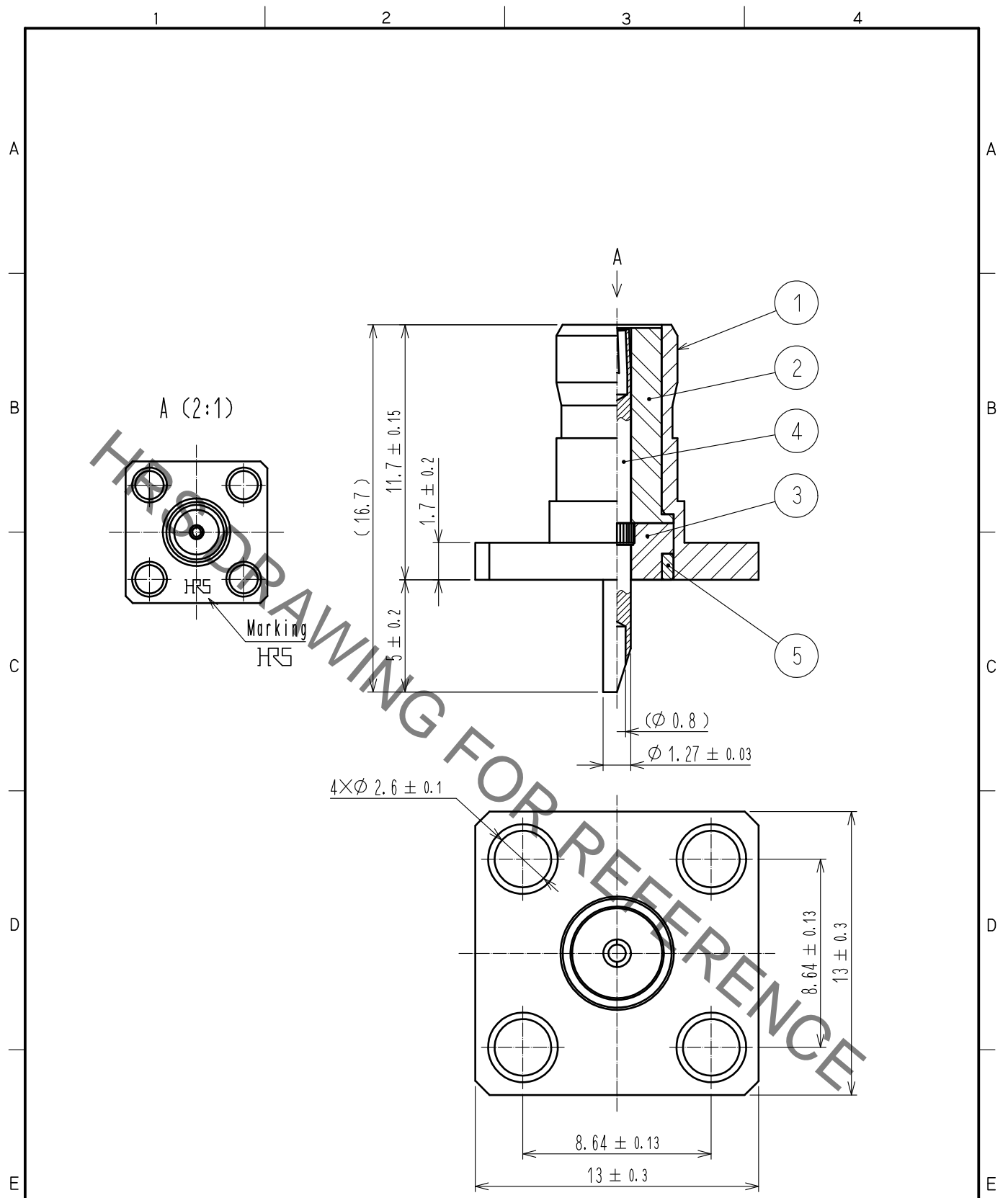


Aug.1.2022 Copyright 2022 HIROSE ELECTRIC CO., LTD. All Rights Reserved.  
 In case of consideration for using Automotive equipment / device which demand high reliability, kindly contact our sales window correspondents.



3	PTFE			5	BRASS	GOLD PLATING		
2	PTFE			4	BERYLLIUM COPPER	GOLD PLATING		
1	BRASS	GOLD PLATING						
NO.	MATERIAL	FINISH	REMARKS	NO.	MATERIAL	FINISH	REMARKS	
UNITS mm		SCALE 4 : 1	COUNT 	DESCRIPTION OF REVISIONS		DESIGNED	CHECKED	DATE
HIROSE ELECTRIC CO., LTD.		APPROVED	·NK. NINOMIYA	20220307	DRAWING NO. EDC-007514-40-00			
		CHECKED	·NK. NINOMIYA	20220307	PART NO. POB-R-15(40)			
		DESIGNED	·MT. KANEKO	20220307	CODE NO. CL0326-0044-3-40			
		DRAWN	·NK. OOSHIMA	20220307	1/1			