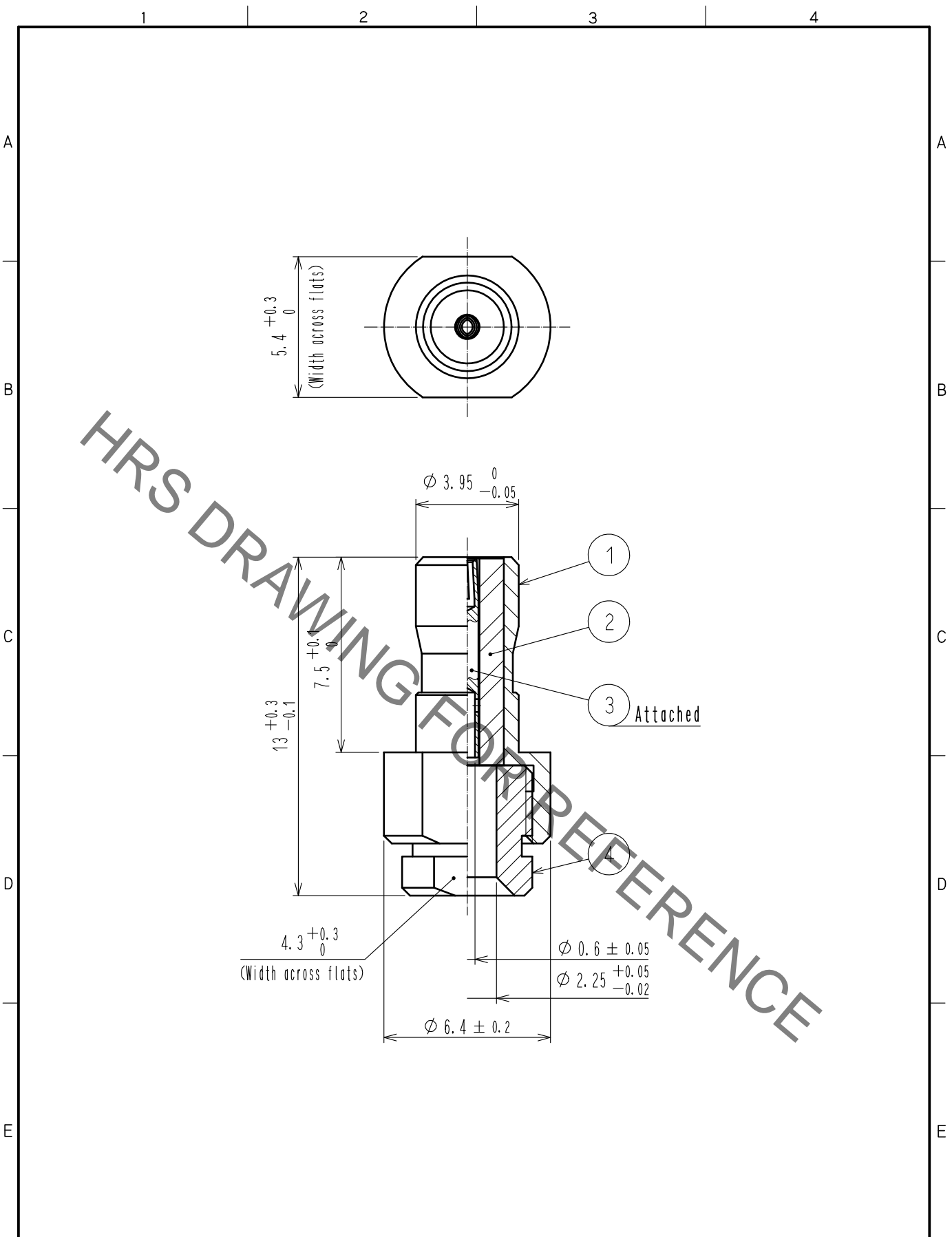


Aug.1.2022 Copyright 2022 HIROSE ELECTRIC CO., LTD. All Rights Reserved.  
 In case of consideration for using Automotive equipment / device which demand high reliability, kindly contact our sales window correspondents.



2	PTFE		4	BRASS	NICKEL PLATING
1	BRASS	NICKEL PLATING	3	BERYLLIUM COPPER	GOLD PLATING
NO.	MATERIAL	FINISH . REMARKS	NO.	MATERIAL	FINISH . REMARKS
UNITS mm		SCALE 5 : 1	COUNT 	DESCRIPTION OF REVISIONS	DESIGNED
					CHECKED
					DATE
<b>HRS</b> HIROSE ELECTRIC CO., LTD.	APPROVED	:NK. NINOMIYA	20220314	DRAWING NO.	EDC-008456-40-00
	CHECKED	:NK. NINOMIYA	20220314	PART NO.	POD-J-85(40)
	DESIGNED	:MT. KANEKO	20220314	CODE NO.	CL0327-0002-0-40
	DRAWN	:NK. OOSHIMA	20220314		