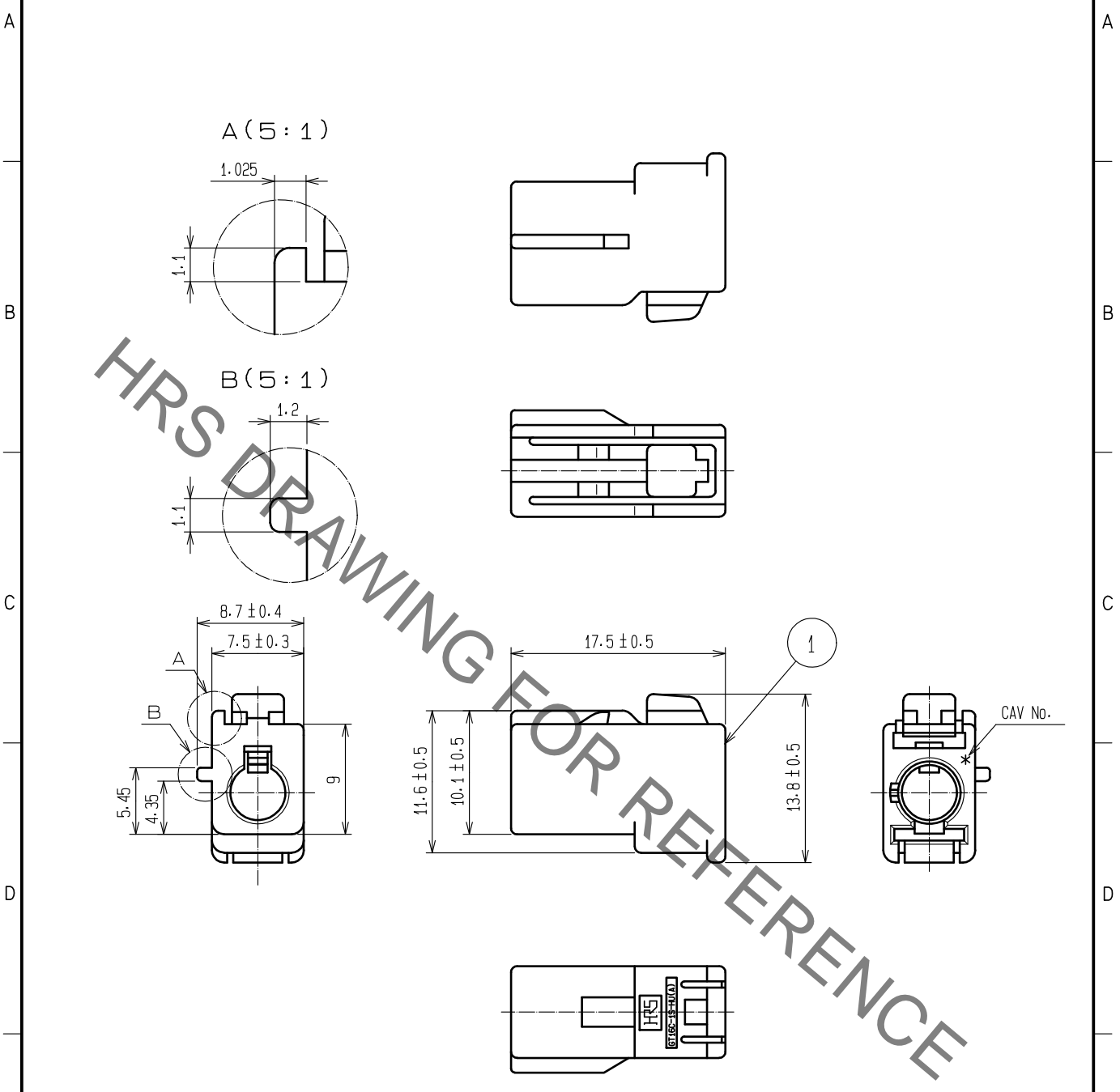


Aug.1.2022 Copyright 2022 HIROSE ELECTRIC CO., LTD. All Rights Reserved.
In case of consideration for using Automotive equipment / device which demand high reliability, kindly contact our sales window correspondents.

ELV. RoHS COMPLIANT



NOTE1. THIS CONNECTOR SHALL BE USED WITH A RETAINER
GT16C-1P/S-R(CL766-0011-6).

1	PBT	BROWN						
NO.	MATERIAL	FINISH	REMARKS	NO.	MATERIAL	FINISH	REMARKS	
UNITS mm		SCALE 2 : 1	COUNT 	DESCRIPTION OF REVISIONS		DESIGNED	CHECKED	DATE
HIROSE ELECTRIC CO., LTD.		APPROVED : NH. NAKATA	15. 09. 03	DRAWING NO.		EDC-166306-00-00		
		CHECKED : KI. HIROKAWA	15. 09. 03	PART NO.		GT16C-1S-HU(A)		
		DESIGNED : ming. jiang	15. 08. 24	CODE NO.		CL766-0060-1-00		
		DRAWN : ming. jiang	15. 08. 24					1/1