

Schottky Barrier Diodes (Surface Mount) 30V

Parameter Type No.	Absolute Maximum Ratings					Electrical Characteristics (Ta=25°C)					Others	
	V _{RM} (V)	I _F (AV) (A)	I _{FSM} (A) 50Hz Half-cycle Sinewave Single Shot	T _J (°C)	T _{stg} (°C)	V _F (V) max	I _R (mA)	I _R (H) (mA)	R _{th} (j-ℓ) (°C/W)	Mass (g)	Fig.	
SFPA-53	30	1.0	30	-40 to +125	0.36	1.0	1.5	70	20.0	0.072	Ⓐ	
SFPA-63		2.0	40									
SFPA-73		3.0	50									
SFPE-63		2.0	40	-40 to +150	0.55	2.0	0.2	20 (T _J = 150°C)				
SFPJ-53		1.0	30		1.0	1.0	10					
SFPJ-63		2.0	40		0.45	2.0	2.0	20				
SFPJ-73		3.0	50		3.0	3.0	30					

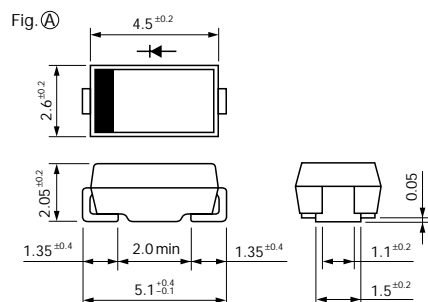
SFPA-53

SFPA-63

SFPA-73

External Dimensions (Unit: mm)

Flammability:
UL94V-0 or Equivalent



This datasheet has been downloaded from:

www.DatasheetCatalog.com

Datasheets for electronic components.