

Tentative Data

Insulated Gate Bi-Polar Transistor

Type T0840NC17E

Absolute Maximum Ratings

	VOLTAGE RATINGS	MAXIMUM LIMITS	UNITS
V_{CES}	Collector – emitter voltage	1700	V
$V_{DC\ link}$	Permanent DC voltage for 100 FIT failure rate.	900	V
V_{GES}	Peak gate – emitter voltage	± 20	V

	RATINGS	MAXIMUM LIMITS	UNITS
$I_{C(DC)}$	DC collector current, IGBT	840	A
I_{CRM}	Repetitive peak collector current, $t_p=1ms$, IGBT	1680	A
I_{ECO}	Maximum reverse emitter current, $t_p=100\mu s$, (note 2 & 3)	840	A
P_{MAX}	Maximum power dissipation, IGBT (Note 2)	2.59	kW
T_j	Operating temperature range.	-40 to +125	$^{\circ}C$
T_{stg}	Storage temperature range.	-40 to +125	$^{\circ}C$

Notes: -

- 1) Unless otherwise indicated $T_j = 125^{\circ}C$.
- 2) $T_{sink} = 25^{\circ}C$, double side cooled.
- 3) Maximum commutation loop inductance 140nH.

Characteristics

IGBT Characteristics

	PARAMETER	MIN	TYP	MAX	TEST CONDITIONS	UNITS
V _{CE(sat)}	Collector – emitter saturation voltage	-	2.37	2.65	I _C = 840A, V _{GE} = 15V, T _j = 25°C	V
		-	2.97	3.30	I _C = 840A, V _{GE} = 15V	V
V _{T0}	Threshold voltage	-	-	1.22	Current range: 280A – 840A	V
r _T	Slope resistance	-	-	2.48		mΩ
V _{GE(TH)}	Gate threshold voltage	-	5	-	V _{CE} = V _{GE} , I _C = 28mA	V
I _{CES}	Collector – emitter cut-off current	-	5	15	V _{CE} = V _{CES} , V _{GE} = 0V	mA
I _{GES}	Gate leakage current	-	-	±15	V _{GE} = ±20V	µA
C _{ies}	Input capacitance	-	68	-	V _{CE} = 25V, V _{GE} = 0V, f = 100kHz, T _j =25°C	nF
t _{d(on)}	Turn-on delay time	-	0.28	-	I _C =840A, V _{CE} =900V, di/dt=4500A/µs V _{GE} = ±15V, L _s =140nH R _{g(ON)} = 2.3Ω, R _{g(OFF)} = 18Ω, C _{ge} =105nF	µs
t _{r(V)}	Rise time	-	0.82	-		µs
Q _{g(on)}	Turn-on gate charge	-	3.6	-		µC
E _{on}	Turn-on energy	-	0.41	-		J
t _{d(off)}	Turn-off delay time	-	2	-		µs
t _{f(l)}	Fall time	-	0.55	-		µs
Q _{g(off)}	Turn-off gate charge	-	2.1	-		µC
E _{off}	Turn-off energy	-	0.7	-		J
I _{SC}	Short circuit current	-	2100	-		V _{GE} =+15V, V _{CC} =900V, V _{CEmax} ≤V _{CES} , t _p ≤10µs

Thermal Characteristics

	PARAMETER	MIN	TYP	MAX	TEST CONDITIONS	UNITS
R _{thJK}	Thermal resistance junction to sink, IGBT	-	-	38.6	Double side cooled	K/kW
		-	-	67.8	Collector side cooled	K/kW
		-	-	92.7	Emitter side cooled	K/kW
F	Mounting force	8	-	12	Note 2	kN
W _t	Weight	-	0.5	-		kg

Notes:-

- 1) Unless otherwise indicated T_j=125°C.
- 2) Consult application note 2008AN01 for detailed mounting requirements
- 3) C_{GE} is additional gate – emitter capacitance added to output of gate drive

Curves

Figure 1 – Typical collector-emitter saturation voltage characteristics

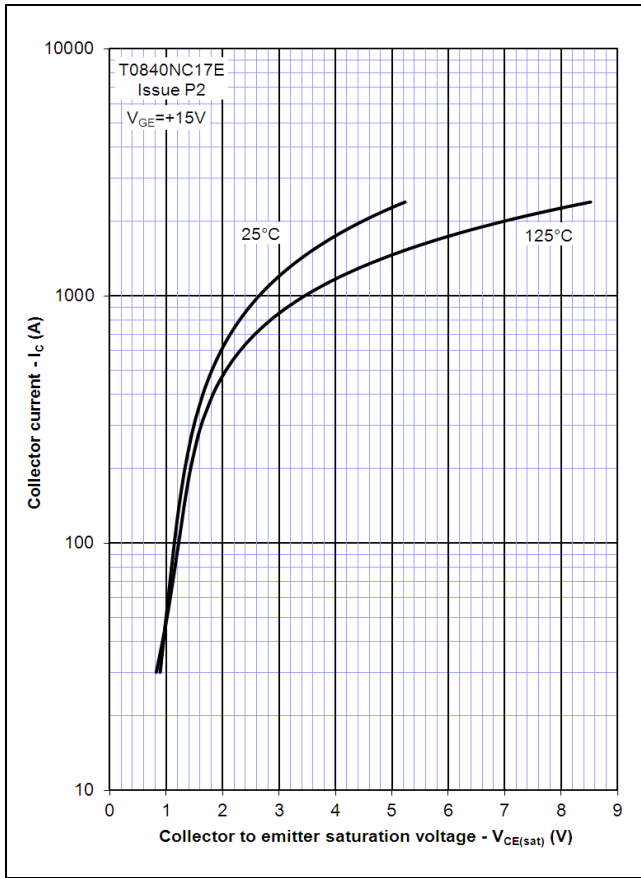


Figure 2 – Typical output characteristic

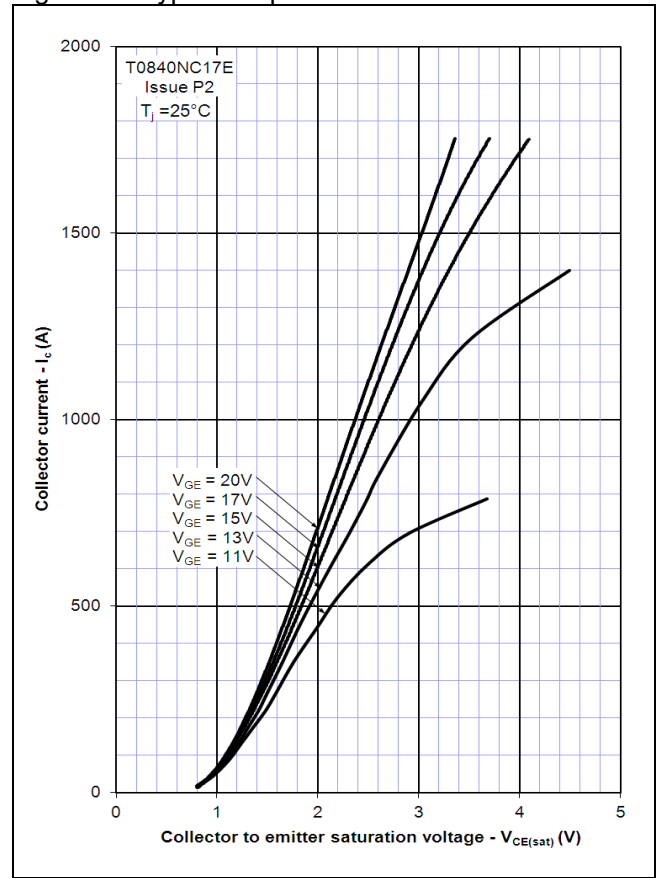


Figure 3 – Typical output characteristic

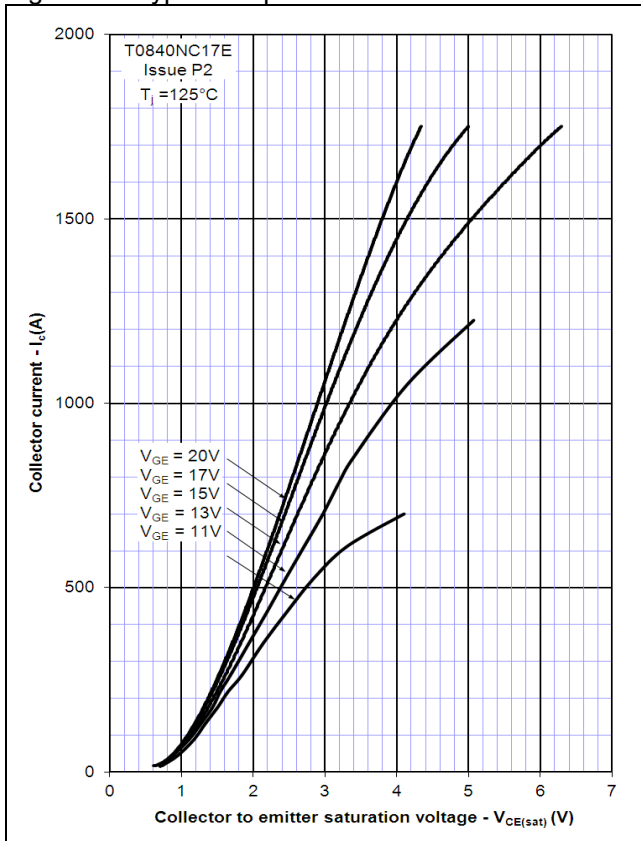


Figure 4 – Safe operating area

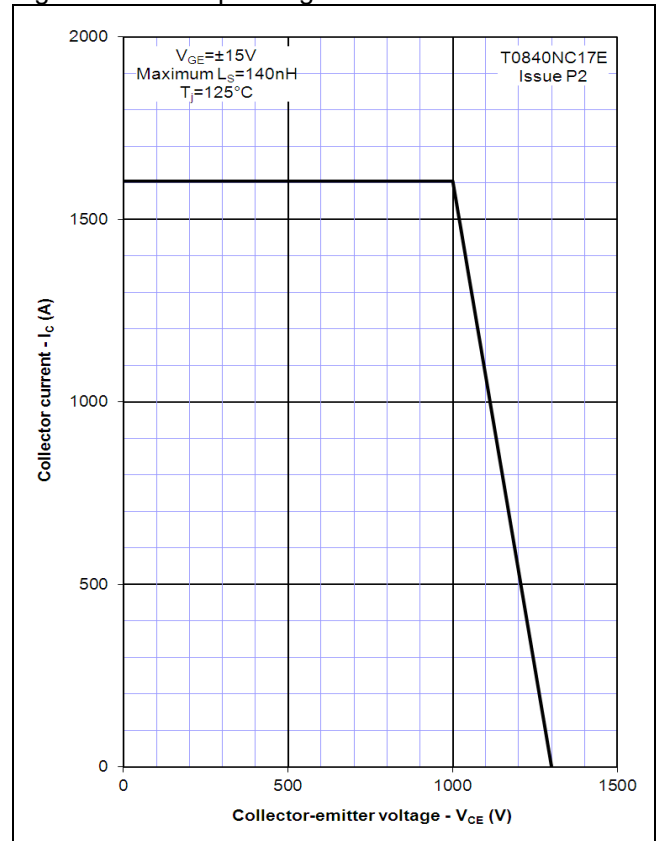
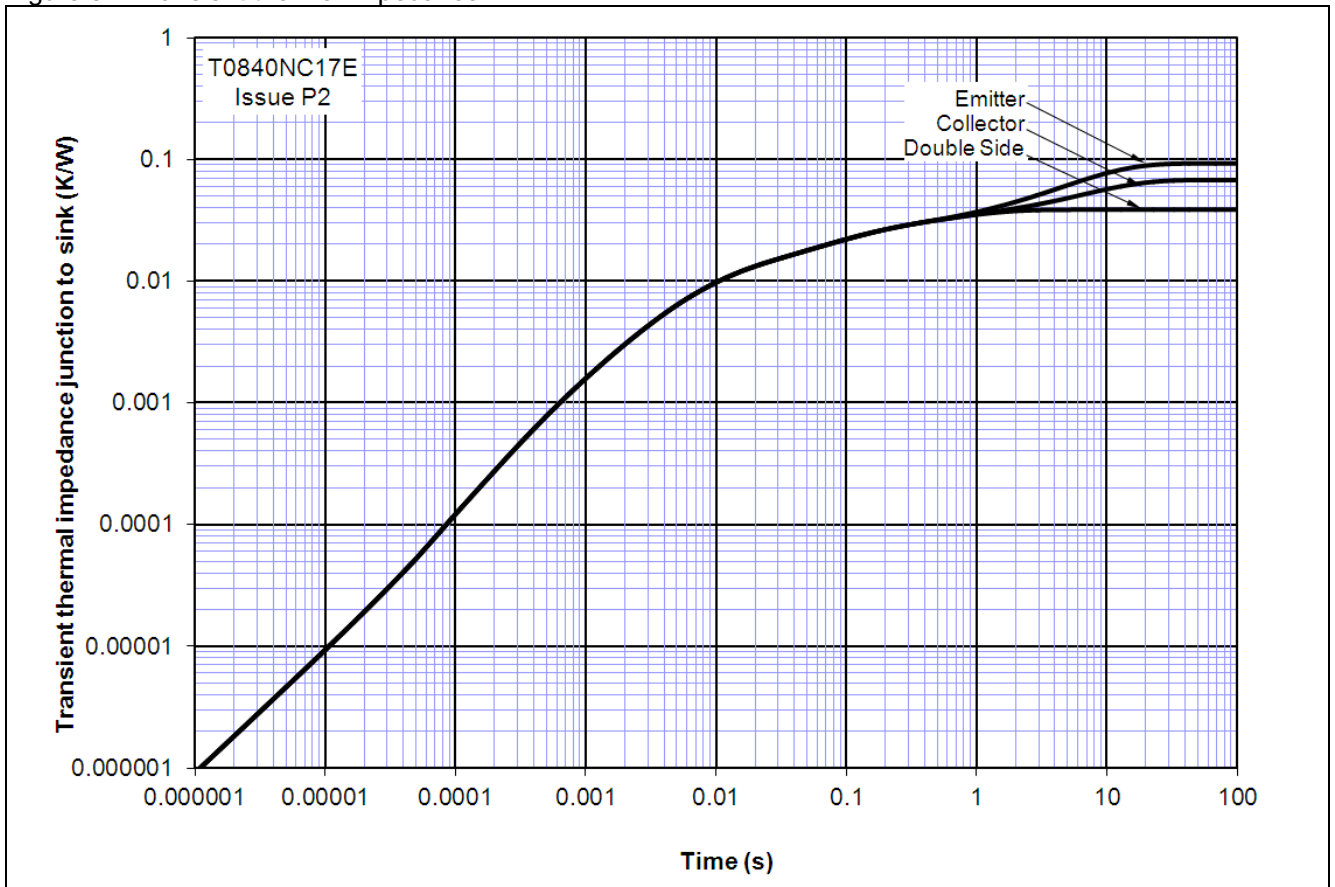
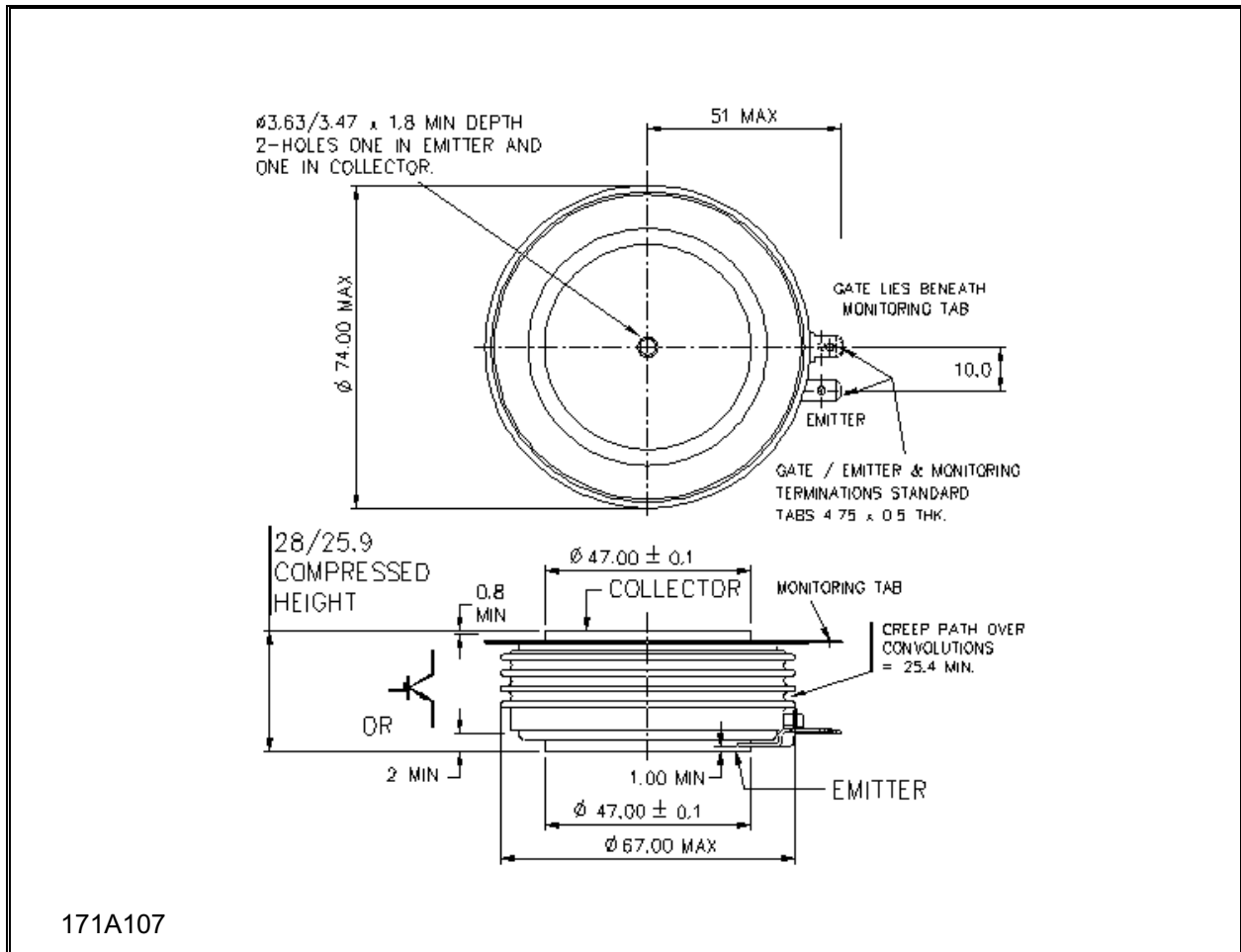


Figure 5 – Transient thermal impedance



Outline Drawing & Ordering Information



ORDERING INFORMATION			
(Please quote 10 digit code as below)			
T0840	NC	17	E
Fixed type Code	Fixed Outline Code	Voltage Grade $V_{CES}/100$ 17	Fixed format code
Typical order code: T0840NC17E ($V_{CES} = 1700V$)			

IXYS Semiconductor GmbH
Edisonstraße 15
D-68623 Lampertheim
Tel: +49 6206 503-0
Fax: +49 6206 503-627
E-mail: marcom@ixys.de



IXYS UK Westcode Ltd
Langley Park Way, Langley Park,
Chippenham, Wiltshire, SN15 1GE.
Tel: +44 (0)1249 444524
Fax: +44 (0)1249 659448
E-mail: sales@ixysuk.com

IXYS Corporation
1590 Buckeye Drive
Milpitas CA 95035-7418
Tel: +1 (408) 457 9000
Fax: +1 (408) 496 0670
E-mail: sales@ixys.net

www.ixysuk.com

www.ixys.net

IXYS Long Beach
IXYS Long Beach, Inc
2500 Mira Mar Ave, Long Beach
CA 90815
Tel: +1 (562) 296 6584
Fax: +1 (562) 296 6585
E-mail: service@ixyslongbeach.com

The information contained herein is confidential and is protected by Copyright. The information may not be used or disclosed except with the written permission of and in the manner permitted by the proprietors IXYS UK Westcode Ltd.

© IXYS UK Westcode Ltd.

In the interest of product improvement, IXYS UK Westcode Ltd reserves the right to change specifications at any time without prior notice.

Devices with a suffix code (2-letter, 3-letter or letter/digit/letter combination) added to their generic code are not necessarily subject to the conditions and limits contained in this report.



Disclaimer Notice - Information furnished is believed to be accurate and reliable. However, users should independently evaluate the suitability of and test each product selected for their own applications. Littelfuse products are not designed for, and may not be used in, all applications. Read complete Disclaimer Notice at www.littelfuse.com/disclaimer-electronics.