



## UF800FPL~UF810FPL ULTRA FAST RECOVERY RECTIFIER

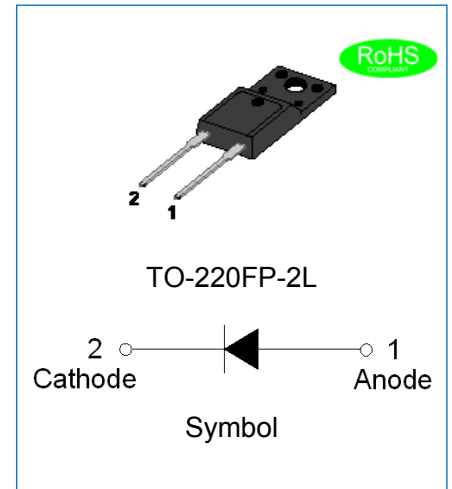
Rev.1.4

### DESCRIPTION

- ◇ Plastic package has underwriters laboratory flammability classification 94V-0
- ◇ Glass passivated chip junction
- ◇ Lead free in comply with EU RoHS 2011/65/EU directives
- ◇ Ultrafast recovery time for high efficiency

### MECHANICAL DATA

- ◇ Case: TO-220FP-2L, molded plastic over passivated junction
- ◇ Terminals: Solder plated, solderable per J-STD-002
- ◇ Weight:1.67gram



### ABSOLUTE MAXIMUM RATING AND ELECTRICAL CHARACTERISTICS

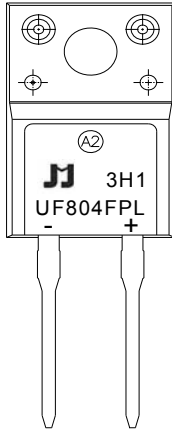
(Rating at 25°C ambient temperature unless otherwise specified.)

Parameter	Symbol	UF800 FPL	UF801 FPL	UF802 FPL	UF804 FPL	UF806 FPL	UF808 FPL	UF810 FPL	Unit
Maximum repetitive peak reverse voltage	$V_{RRM}$	50	100	200	400	600	800	1000	V
Maximum RMS voltage	$V_{RMS}$	35	70	140	280	420	560	700	V
Maximum DC blocking voltage	$V_{DC}$	50	100	200	400	600	800	1000	V
Maximum average forward current at $T_L=100^\circ\text{C}$	$I_{F(AV)}$	8							A
Peak forward surge current: 8.3ms single half sine-wave superimposed on rated load	$I_{FSM}$	150							A
Maximum forward voltage @ $I_F=8\text{A}$	$V_F$	1.0		1.3		1.7		V	
Maximum DC reverse current at rated DC blocking voltage	$T_j=25^\circ\text{C}$	5.0							$\mu\text{A}$
	$T_j=150^\circ\text{C}$	500							$\mu\text{A}$
Typical junction capacitance $V_R=4.0\text{V}$ , $f=1\text{MHz}$	$C_J$	200				85			pF
Operating junction and storage temperature range	$T_j, T_{stg}$	-55 to +150							$^\circ\text{C}$
Maximum reverse recovery time $I_F=0.5\text{A}$ , $I_R=1\text{A}$ , $I_{rr}=0.25\text{A}$	$t_{rr}$	50				75			ns

**THERMAL RESISTANCES**

Symbol	Parameter	UF800 FPL	UF801 FPL	UF802 FPL	UF804 FPL	UF806 FPL	UF808 FPL	UF810 FPL	Unit
R <sub>th(j-c)</sub>	Junction to case	4							°C/W

**MARKING**



UF	Ultra Fast Recovery Rectifier
8	I <sub>F(AV)</sub> =8A
04	V <sub>RRM</sub> :400V
FPL	Package:TO-220FP-2L

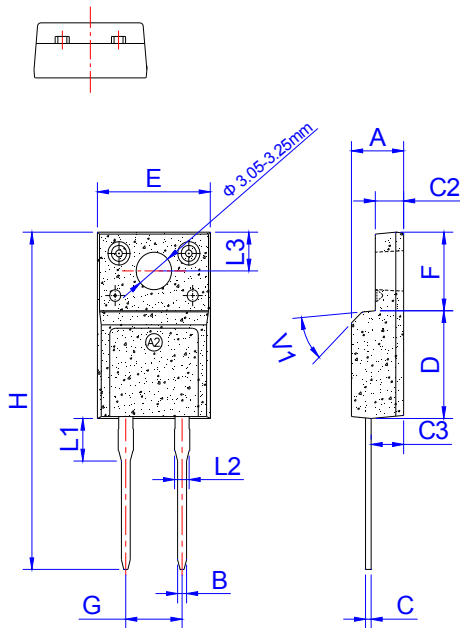
**xH1:** Month, 1、2、3 ~ 9、A、B、C

**3x1:**

2018	2019	2020	2021	2022	2023	2024
H	I	J	K	L	M	N
2025	2026	2027	2028	2029	2030	...
O	P	Q	R	S	T	...

**3Hx:** Batch number

**PACKAGE MECHANICAL DATA**

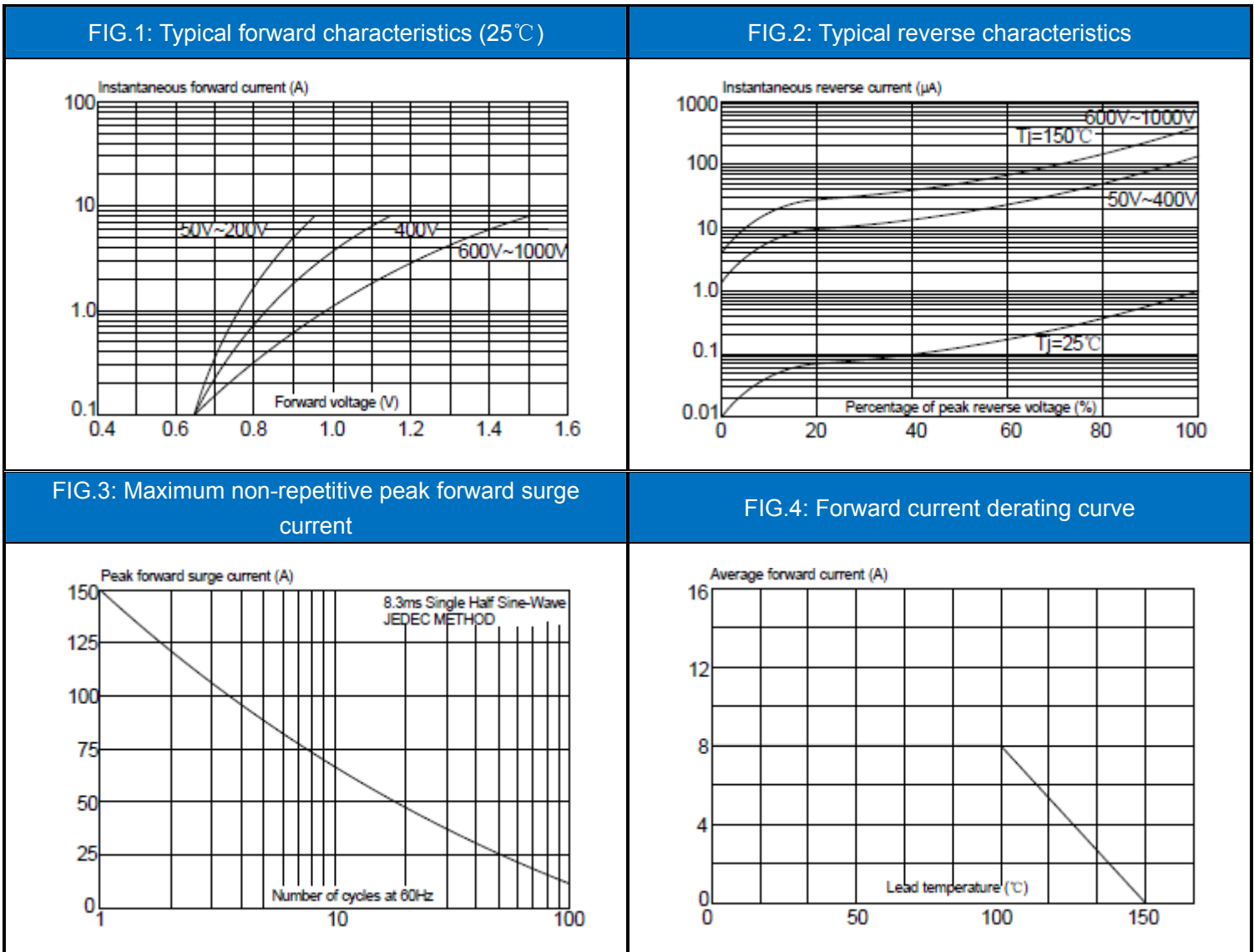


Ref.	Dimensions					
	Millimeters			Inches		
	Min.	Typ.	Max.	Min.	Typ.	Max.
A	4.50		4.90	0.177		0.193
B	0.74	0.80	0.83	0.029	0.031	0.033
C	0.47		0.65	0.019		0.026
C2	2.45		2.75	0.096		0.108
C3	2.60		3.00	0.102		0.118
D	8.80		9.30	0.346		0.366
E	9.80		10.4	0.386		0.410
F	6.40		6.80	0.252		0.268
G		5.08			0.200	
H	28.0		29.8	1.102		1.173
L1		3.63			0.143	
L2	1.14		1.70	0.045		0.067
L3		3.30			0.130	
V1		45°			45°	

**PACKAGE INFORMATION-TO-220FP-2L**

OUTLINE	UNIT WEIGHT (g/PCS) typ.	TUBE (PCS)	PER CARTON (PCS)
TUBE	1.67	50	8,000

CHARACTERISTICS CURVE



Information furnished in this document is believed to be accurate and reliable. However, Jiangsu JieJie Microelectronics Co.,Ltd assumes no responsibility for the consequences of use without consideration for such information nor use beyond it.

Information mentioned in this document is subject to change without notice, apart from that when an agreement is signed, Jiangsu JieJie complies with the agreement.

Products and information provided in this document have no infringement of patents. Jiangsu JieJie assumes no responsibility for any infringement of other rights of third parties which may result from the use of such products and information.

This document is the 1.4th version which is made in 18-Dec.-2020. This document supersedes and replaces all information previously supplied.

 is a registered trademark of Jiangsu JieJie Microelectronics Co.,Ltd.

Copyright©2020 Jiangsu JieJie Microelectronics Co.,Ltd. Printed All rights reserved.