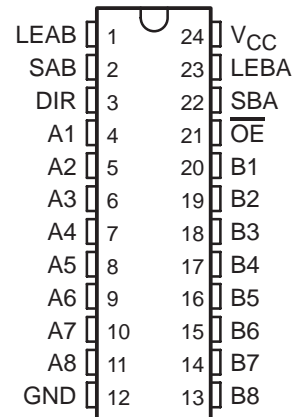


SN74BCT956 OCTAL BUS TRANSCEIVER AND LATCH WITH 3-STATE OUTPUTS

SCBS088A – NOVEMBER 1991 – REVISED NOVEMBER 1993

- State-of-the-Art BiCMOS Design Significantly Reduces I_{CCZ}
- ESD Protection Exceeds 2000 V Per MIL-STD-883C, Method 3015; Exceeds 200 V Using Machine Model ($C = 200$ pF, $R = 0$)
- Latch Version of the 'BCT646
- Independent Latches and Enables for A and B Buses
- Multiplexed Real-Time and Stored Data
- Package Options Include Plastic Small-Outline (DW) Packages and Standard Plastic 300-mil DIPs (NT)

DW OR NT PACKAGE
(TOP VIEW)



description

The SN74BCT956 consists of bus transceiver circuits, D-type latches, and control circuitry arranged for multiplexed transmission of data directly from the input bus or from the internal latches. Data on the A or B bus is stored in the latches when the appropriate latch-enable (LEAB or LEBA) input is low. Figure 1 illustrates the four fundamental bus-management functions that can be performed with the SN74BCT956.

Output-enable (\overline{OE}) and direction-control (DIR) inputs are provided to control the transceiver functions. In the transceiver mode (\overline{OE} low), data present at the high-impedance port may be stored in either latch or in both.

The select-control (SAB and SBA) inputs can multiplex stored and real-time (transparent mode) data. When the appropriate latch-enable input is high, the latch is transparent, and real-time data is output regardless of the level at the select control.

The direction control (DIR) determines which bus receives data when \overline{OE} is low. In the isolation mode (\overline{OE} high), A data may be stored in one register and/or B data may be stored in the other register.

When an output function is disabled, the input function is still enabled and may be used to store and transmit data. Only one of the two buses, A or B, may be driven at a time.

The SN74BCT956 is characterized for operation from 0°C to 70°C.

SN74BCT956 OCTAL BUS TRANSCEIVER AND LATCH WITH 3-STATE OUTPUTS

SCBS088A – NOVEMBER 1991 – REVISED NOVEMBER 1993

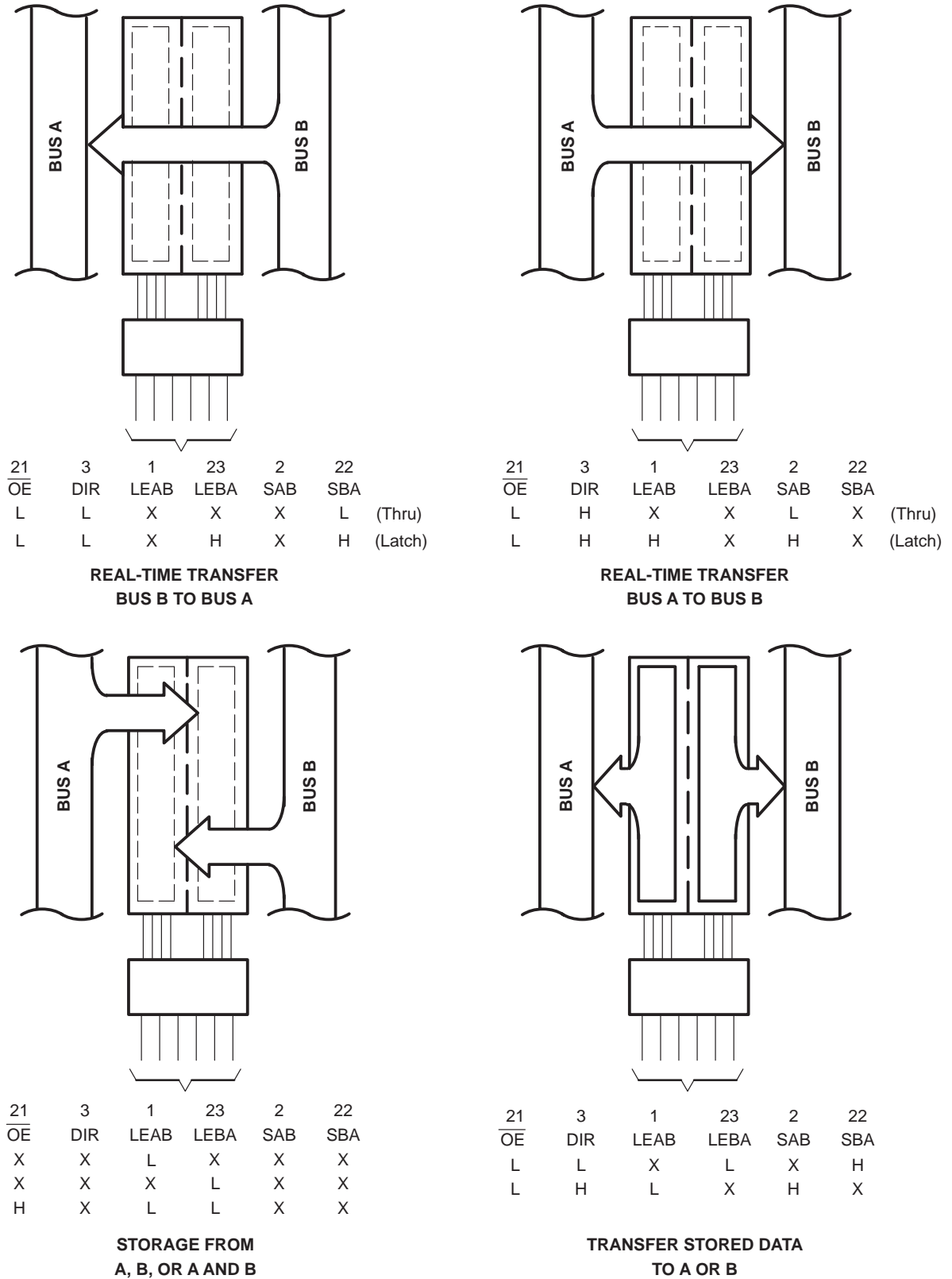


Figure 1. Bus-Management Functions

SN74BCT956 OCTAL BUS TRANSCEIVER AND LATCH WITH 3-STATE OUTPUTS

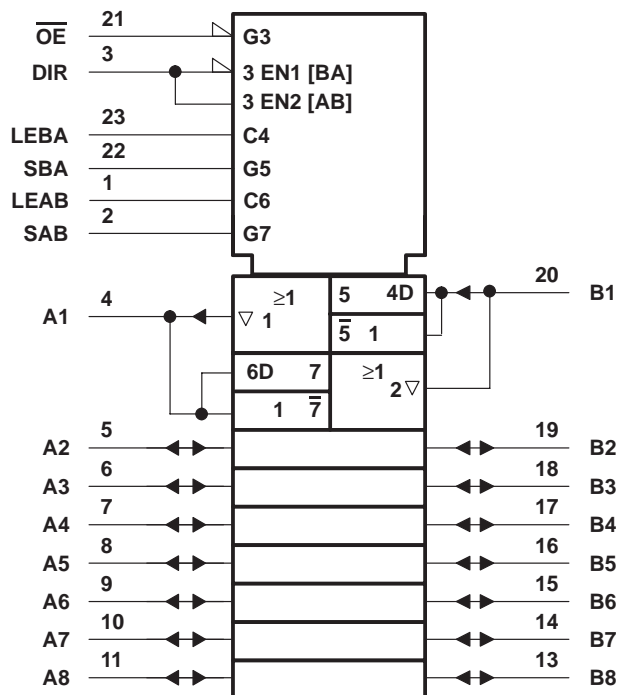
SCBS088A – NOVEMBER 1991 – REVISED NOVEMBER 1993

FUNCTION TABLE

INPUTS						DATA I/O		OPERATION OR FUNCTION
\overline{OE}	DIR	LEAB	LEBA	SAB	SBA	A1 THRU A8	B1 THRU B8	
X	X	L	X	X	X	Input	Unspecified†	Store A, B unspecified†
X	X	X	L	X	X	Unspecified†	Input	Store B, A unspecified†
L	H	X	X	L	X	Input	Output	A transparent, real-time A data to B bus (thru)
L	H	H	X	H	X	Input	Output	A transparent, real-time A data to B bus (latch)
L	H	L	X	L	X	Input	Output	A data latched, real-time A data to B bus (thru)
L	H	L	X	H	X	Input	Output	A data latched, latched A data to B bus (latch)
L	L	X	X	X	L	Output	Input	B transparent, real-time B data to A bus (thru)
L	L	X	H	X	H	Output	Input	B transparent, real-time B data to A bus (latch)
L	L	X	L	X	L	Output	Input	B data latched, real-time B data to A bus (thru)
L	L	X	L	X	H	Output	Input	B data latched, latched B data to A bus (latch)
H	X	L	L	X	X	Input	Input	Isolation, A and B data latched
H	X	H	H	X	X	Input	Input	Isolation, no storage

† The data output functions may be enabled or disabled by various signals at the \overline{OE} and DIR inputs. Data input functions are always enabled; i.e., data at the bus pins is latched whenever the appropriate latch-enable input is low.

logic symbol‡



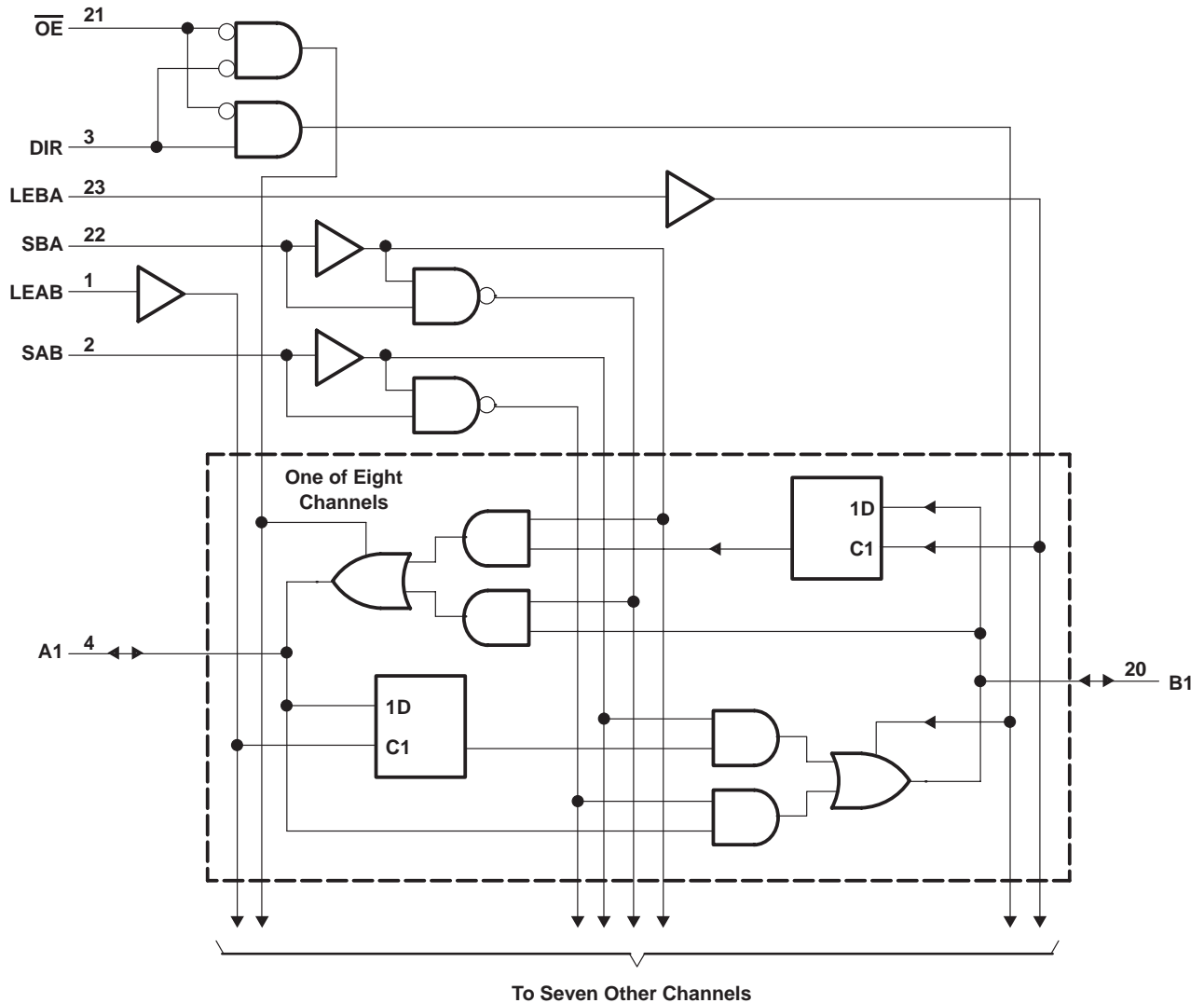
‡ This symbol is in accordance with ANSI/IEEE Std 91-1984 and IEC Publication 617-12.

SN74BCT956

OCTAL BUS TRANSCEIVER AND LATCH WITH 3-STATE OUTPUTS

SCBS088A – NOVEMBER 1991 – REVISED NOVEMBER 1993

logic diagram (positive logic)



absolute maximum ratings over operating free-air temperature range (unless otherwise noted)†

Supply voltage range, V_{CC}	-0.5 V to 7 V
Input voltage range, V_I (except I/O ports) (see Note 1)	-0.5 V to 7 V
Voltage range applied to any output in the disabled or power-off state, V_O	-0.5 V to 5.5 V
Voltage range applied to any output in the high state, V_O	-0.5 V to V_{CC}
Input clamp current, I_{IK} ($V_I < 0$)	-30 mA
Current into any output in the low state, I_O	128 mA
Operating free-air temperature range	0°C to 70°C
Storage temperature range	-65°C to 150°C

† Stresses beyond those listed under "absolute maximum ratings" may cause permanent damage to the device. These are stress ratings only, and functional operation of the device at these or any other conditions beyond those indicated under "recommended operating conditions" is not implied. Exposure to absolute-maximum-rated conditions for extended periods may affect device reliability.

NOTE 1: The input and output negative-voltage ratings may be exceeded if the input and output clamp-current ratings are observed.



SN74BCT956

OCTAL BUS TRANSCEIVER AND LATCH WITH 3-STATE OUTPUTS

SCBS088A – NOVEMBER 1991 – REVISED NOVEMBER 1993

recommended operating conditions (see Note 2)

		MIN	NOM	MAX	UNIT
V _{CC}	Supply voltage	4.5	5	5.5	V
V _{IH}	High-level input voltage	2			V
V _{IL}	Low-level input voltage			0.8	V
I _{IK}	Input clamp current			-18	mA
I _{OH}	High-level output current			-15	mA
I _{OL}	Low-level output current			64	mA
T _A	Operating free-air temperature	0		70	°C

NOTE 2: Unused or floating pins (input or I/O) must be held high or low.

electrical characteristics over recommended operating free-air temperature range (unless otherwise noted)

PARAMETER		TEST CONDITIONS		MIN	TYP [†]	MAX	UNIT
V _{IK}		V _{CC} = 4.5 V,	I _I = -18 mA			-1.2	V
V _{OH}		V _{CC} = 4.5 V	I _{OH} = -3 mA	2.4	3.3		V
			I _{OH} = -15 mA	2	3.1		
V _{OL}		V _{CC} = 4.5 V,	I _{OL} = 64 mA		0.42	0.55	V
I _I	Any input	V _{CC} = 5.5 V,	V _I = 5.5 V			1	mA
I _{IH} [‡]	A or B ports	V _{CC} = 5.5 V,	V _I = 2.7 V			70	μA
	Control input					20	
I _{IL} [‡]	Any input	V _{CC} = 5.5 V,	V _I = 0.5 V			-0.7	mA
I _{OS} [§]		V _{CC} = 5.5 V,	V _O = 0	-100		-225	mA
I _{CCL}		V _{CC} = 5.5 V,	Outputs open		42	67	mA
I _{CCH}		V _{CC} = 5.5 V,	Outputs open		5	8	mA
I _{CCZ}		V _{CC} = 5.5 V,	Outputs open		6.7	11	mA
C _i	Control input	V _{CC} = 5 V,	V _I = 2.5 V or 0.5 V		5		pF
C _{io}	A to B	V _{CC} = 5 V,	V _O = 2.5 V or 0.5 V		11		pF
	B to A				11		

[†] All typical values are at V_{CC} = 5 V, T_A = 25°C.

[‡] For I/O ports, the parameters I_{IH} and I_{IL} include the off-state output current.

[§] Not more than one output should be tested at a time, and the duration of the test should not exceed one second.

timing requirements over recommended ranges of supply voltage and operating free-air temperature (unless otherwise noted)

		V _{CC} = 5 V, T _A = 25°C		MIN	MAX	UNIT
		MIN	MAX			
t _w	Pulse duration, LE high	4		4		ns
t _{su}	Setup time, data before LE↓	High	0	0		ns
		Low	3	3		
t _h	Hold time, data after LE↓	High	0	0		ns
		Low	2.5	2.5		



SN74BCT956

OCTAL BUS TRANSCEIVER AND LATCH WITH 3-STATE OUTPUTS

SCBS088A – NOVEMBER 1991 – REVISED NOVEMBER 1993

switching characteristics over recommended ranges of supply voltage and operating free-air temperature, $C_L = 50$ pF (unless otherwise noted) (see Note 3)

PARAMETER	FROM (INPUT)	TO (OUTPUT)	$V_{CC} = 5$ V, $T_A = 25^\circ$ C			MIN	MAX	UNIT
			MIN	TYP	MAX			
t_{PLH}	A or B SAB or SBA high (latch)	B or A	2.2	5.1	7.3	2.2	8.3	ns
t_{PHL}			3.6	6.7	10	3.6	11.7	
t_{PLH}	A or B SAB or SBA low (thru)	B or A	2	5.1	7.2	2	8.2	ns
t_{PHL}			3.3	6.7	9.3	3.3	11.1	
t_{PLH}	LEBA or LEAB	A or B	2.2	5.5	7.9	2.2	9.3	ns
t_{PHL}			2.9	6	8.5	2.9	9.8	
t_{PLH}	SAB or SBA \dagger A or B high	B or A	3.7	6.8	10.6	3.7	13.3	ns
t_{PHL}			2.6	5.3	7.4	2.6	8.2	
t_{PLH}	SAB or SBA \dagger A or B low	B or A	3.2	7.4	9.5	3.2	11.2	ns
t_{PHL}			3.8	7.7	10.1	3.8	12.2	
t_{PZH}	\overline{OE}	A or B	3.1	6.9	9.5	3.1	11.7	ns
t_{PZL}			3.9	7.8	10.7	3.9	13.1	
t_{PHZ}	\overline{OE}	A or B	3.5	6.6	8.9	3.5	10.7	ns
t_{PLZ}			2.6	5.9	8.3	2.6	9.5	
t_{PZH}	DIR	A or B	2.1	5	9.8	2.1	12	ns
t_{PZL}			2.9	6	10.9	2.9	13.1	
t_{PHZ}	DIR	A or B	3.6	6.3	10.2	3.6	12.5	ns
t_{PLZ}			2.5	5.7	8.9	2.5	10.8	

\dagger These parameters are measured with the internal output state of the storage register opposite to that of the bus input.

NOTE 3: Load circuits and voltage waveforms are shown in Section 1.



IMPORTANT NOTICE

Texas Instruments Incorporated and its subsidiaries (TI) reserve the right to make corrections, modifications, enhancements, improvements, and other changes to its products and services at any time and to discontinue any product or service without notice. Customers should obtain the latest relevant information before placing orders and should verify that such information is current and complete. All products are sold subject to TI's terms and conditions of sale supplied at the time of order acknowledgment.

TI warrants performance of its hardware products to the specifications applicable at the time of sale in accordance with TI's standard warranty. Testing and other quality control techniques are used to the extent TI deems necessary to support this warranty. Except where mandated by government requirements, testing of all parameters of each product is not necessarily performed.

TI assumes no liability for applications assistance or customer product design. Customers are responsible for their products and applications using TI components. To minimize the risks associated with customer products and applications, customers should provide adequate design and operating safeguards.

TI does not warrant or represent that any license, either express or implied, is granted under any TI patent right, copyright, mask work right, or other TI intellectual property right relating to any combination, machine, or process in which TI products or services are used. Information published by TI regarding third-party products or services does not constitute a license from TI to use such products or services or a warranty or endorsement thereof. Use of such information may require a license from a third party under the patents or other intellectual property of the third party, or a license from TI under the patents or other intellectual property of TI.

Reproduction of TI information in TI data books or data sheets is permissible only if reproduction is without alteration and is accompanied by all associated warranties, conditions, limitations, and notices. Reproduction of this information with alteration is an unfair and deceptive business practice. TI is not responsible or liable for such altered documentation. Information of third parties may be subject to additional restrictions.

Resale of TI products or services with statements different from or beyond the parameters stated by TI for that product or service voids all express and any implied warranties for the associated TI product or service and is an unfair and deceptive business practice. TI is not responsible or liable for any such statements.

TI products are not authorized for use in safety-critical applications (such as life support) where a failure of the TI product would reasonably be expected to cause severe personal injury or death, unless officers of the parties have executed an agreement specifically governing such use. Buyers represent that they have all necessary expertise in the safety and regulatory ramifications of their applications, and acknowledge and agree that they are solely responsible for all legal, regulatory and safety-related requirements concerning their products and any use of TI products in such safety-critical applications, notwithstanding any applications-related information or support that may be provided by TI. Further, Buyers must fully indemnify TI and its representatives against any damages arising out of the use of TI products in such safety-critical applications.

TI products are neither designed nor intended for use in military/aerospace applications or environments unless the TI products are specifically designated by TI as military-grade or "enhanced plastic." Only products designated by TI as military-grade meet military specifications. Buyers acknowledge and agree that any such use of TI products which TI has not designated as military-grade is solely at the Buyer's risk, and that they are solely responsible for compliance with all legal and regulatory requirements in connection with such use.

TI products are neither designed nor intended for use in automotive applications or environments unless the specific TI products are designated by TI as compliant with ISO/TS 16949 requirements. Buyers acknowledge and agree that, if they use any non-designated products in automotive applications, TI will not be responsible for any failure to meet such requirements.

Following are URLs where you can obtain information on other Texas Instruments products and application solutions:

Products

Amplifiers	amplifier.ti.com
Data Converters	dataconverter.ti.com
DSP	dsp.ti.com
Clocks and Timers	www.ti.com/clocks
Interface	interface.ti.com
Logic	logic.ti.com
Power Mgmt	power.ti.com
Microcontrollers	microcontroller.ti.com
RFID	www.ti-rfid.com
RF/IF and ZigBee® Solutions	www.ti.com/lprf

Applications

Audio	www.ti.com/audio
Automotive	www.ti.com/automotive
Broadband	www.ti.com/broadband
Digital Control	www.ti.com/digitalcontrol
Medical	www.ti.com/medical
Military	www.ti.com/military
Optical Networking	www.ti.com/opticalnetwork
Security	www.ti.com/security
Telephony	www.ti.com/telephony
Video & Imaging	www.ti.com/video
Wireless	www.ti.com/wireless

Mailing Address: Texas Instruments, Post Office Box 655303, Dallas, Texas 75265
Copyright © 2008, Texas Instruments Incorporated