

Features

- Low Quiescent Current : 120uA (No load)
- Low Dropout Voltage : 300mV ($V_{OUT}=3.3V @ 500mA$)
- Fixed Output Voltage : 1.3V,1.4V,1.5V,1.6V, 1.7V,1.8V,1.9V, 2.0V,2.1V,2.2V,2.3V,2.4V, 2.5V,2.6V,2.7V, 2.8V,2.9V,3.0V,3.1V,3.2V, 3.3V,3.4V.
- Stable with 4.7uF Output Capacitor
- Stable with Aluminum , Tantalum or Ceramic Capacitors .
- Reverse Current Protection
- No Protection Diodes Needed
- Built in Thermal Protection
- Built in Current Limit Protection
- Controlled Short Circuit Current : 50mA
- Fast transient Response
- Short Setting Time
- SOP-8, TSSOP-8 and MSOP-8 Packages.
- Adjustment-free Reset Detection Voltage : 3.9V or 4.2V typ.
- Easy to Set Delay Time from Voltage Detection to Reset Release.
- Reset and $\overline{\text{Reset}}$ output

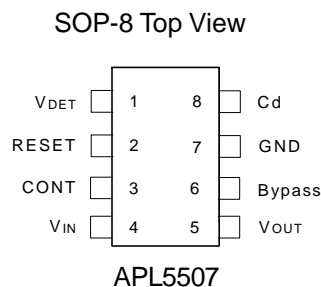
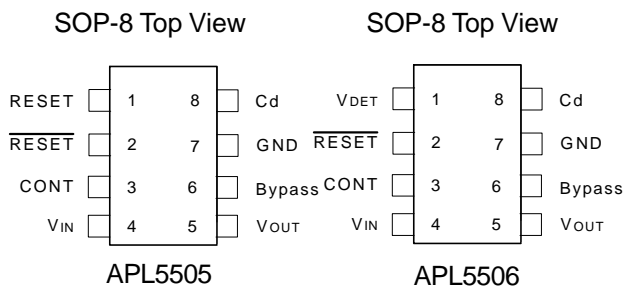
Applications

- CD-ROM drive.

General Description

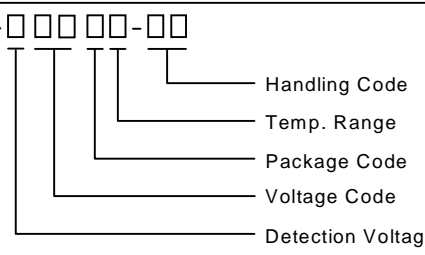
The APL5505/6/7 is micropower, low noise, low dropout regulators with a reset function (regulator input (APL5505) or specific voltage (APL5506/7) monitoring), and internal delay circuit, set to detect 3.9V or 4.2V. Operate from 3V to 6V input voltage and deliver up to 500mA. Typical output noise is just 180uV_{RMS} with an external 0.01uF bypass capacitor connected in BP pin and the typical dropout voltage is only 300mV at 500mA loading. Design with an internal P-channel MOSFET pass transistor, the APL5505/6/7 maintains a low supply current, independent of the load current and dropout voltage. Other features include reverse current protection, thermal-shutdown protection, current limit protection to ensure specified output current and controlled short-circuit current. The APL5505/6/7 regulators come in miniature SOP-8, TSSOP-8 and MSOP-8 packages.

Pin Configuration



ANPEC reserves the right to make changes to improve reliability or manufacturability without notice, and advise customers to obtain the latest version of relevant information to verify before placing orders.

Ordering and Marking Information

<p>APL5505/6/7 - □□□□-□□</p>  <p>Handling Code Temp. Range Package Code Voltage Code Detection Voltage</p>	<p>Package Code K : SOP-8 O : TSSOP-8 X : MSOP-8 Temp. Range C : 0 to 70°C I : -40 to 85°C Handling Code TR : Tape & Reel Voltage Code : 13 : 1.3V ~ 34 : 3.4V Detection Voltage : A : 3.9V B : 4.2V</p>	
<p>APL5505/6/7 :</p>	<table border="1" style="display: inline-table;"> <tr> <td style="padding: 2px;">APL5505/6/7X XXXXX13</td> </tr> </table> <p style="margin-left: 20px;">X - Detection Voltage XXXXX - Date Code , 13 - 1.3V</p>	APL5505/6/7X XXXXX13
APL5505/6/7X XXXXX13		

Pin Description

PIN		I/O	Description
No.	Name		
1	RESET(5505)	O	Input voltage detection output pin , high = $V_{IN} < V_S$, low = $V_{IN} > V_S$
	V_{DET} (5506/7)	I	Input pin of voltage detection.
2	RESET(5507)	O	Input voltage detection output pin , high = $V_{IN} < V_S$, low = $V_{IN} > V_S$
	RESET(5506)		Input voltage detection output pin , low = $V_{IN} < V_S$, high = $V_{IN} > V_S$
3	CONT	I	Output voltage on/off-control pin, low = off , high = on.
4	V_{IN}	O	Voltage supply input pin.
5	V_{OUT}	O	Regulator output pin.
6	Bypass		Bypass signal pin, connect a bypass capacitor to reduce output noise.
7	GND		GND pin
8	Cd		Delay time capacitor pin, RESET pin output delay time can be set by the capacitance connected to the Cd pin. $t_{PLH} = 160000.C$, t_{PLH} : transmission delay time (s), C:capacitor value (F)

Absolute Maximum Ratings

Symbol	Parameter	Rating	Unit
V_{IN}, V_{OUT}	Input Voltage or Out Voltage	6	V
CONT	Shutdown Control Pin	6	V
V_{det}	RESET pin supply voltage	6	V
$R_{TH,JA}$	Thermal Resistance – Junction to Ambient	210	°C/W
P_D	Power Dissipation	Internally Limited	W
T_J	Operating Junction Temperature		
	Control Section	0 to 125	°C
	Power Transistor	0 to 150	
T_{STG}	Storage Temperature Range	-65 to +150	°C
T_L	Lead Temperature (Soldering, 10 second)	260	°C

Electrical Characteristics

Unless otherwise noted these specifications apply over full temperature, $V_{IN}=5V$, $C_{IN}=4.7\mu F$, $C_{OUT}=4.7\mu F$, $CONT=V_{IN}$, $T_J=0$ to $125^\circ C$. Typical values refer to $T_J=25^\circ C$.

Symbol	Parameter	Test Conditions	APL5505/6/7			Unit
			Min.	Typ.	Max.	
V_{IN}	Input Voltage		2.7		6	V
V_{OUT}	Output Voltage	$V_{OUT}+1.0V < V_{CC} < 6.0V$, $0mA < I_{OUT} < I_{MAX}$	$V_{OUT}-2\%$	V_{OUT}	$V_{OUT}+2\%$	V
I_{LIMIT}	Circuit Current Limit	$V_{IN}=5V$		700		mA
I_{SHORT}	Short Current	$V_{OUT}=0V$		50		mA
I_{OUT}	Load Current		500			mA
REG_{LINE}	Line Regulation	$V_{OUT}+0.5V < V_{CC} < 6.0V$, $0mA < I_{OUT} < I_{MAX}$		1	6	mV
REG_{LOAD}	Load Regulation	$V_{IN}=5V$, $0mA < I_{OUT} < I_{MAX}$		1	6	mV
V_{DROP}	Dropout Voltage ^(Note) (V_{OUT} (Nominal)=3.0V Version)	$I_{OUT}=500mA$		300	450	mV
PSRR	Ripple Rejection	$F \leq 1kHz$, 1Vpp at $V_{IN} = V_{OUT}+1.0V$	45	55		dB
I_Q	Quiescent Current	No load		120		μA
	Shutdown Supply Current	$CONT = low$ $I_{OUT}=0$, $V_{CC} = 6.0V$		80		μA
	Noise	$100Hz < f < 80kHz$, typical load, $C_{BP}=0.01\mu F$		180		μV
	Shutdown Recovery Delay	$C_{BP}=0.01\mu F$, $C_{OUT}=1\mu F$, no load $CONT=L \rightarrow H$		400		μs
OTS	Over Temperature			150		$^\circ C$
	Over Temperature	Hysteresis		10		$^\circ C$
TC	Output Voltage Temperature Coefficient			50		ppm/ $^\circ C$
C_{OUT}	Output Capacitor			4.7		μF
	ESR		0.02	0.1	1	Ohm
	Shutdown Input Threshold	$V_{OUT}+1.0V < V_{IN} < 6.0V$		1.6		V
I_{CONT}	Shutdown input Bias current	$V_{CONT}=V_{IN}$		0.01	100	nA
	Reverse Protection Threshold			11	50	mV

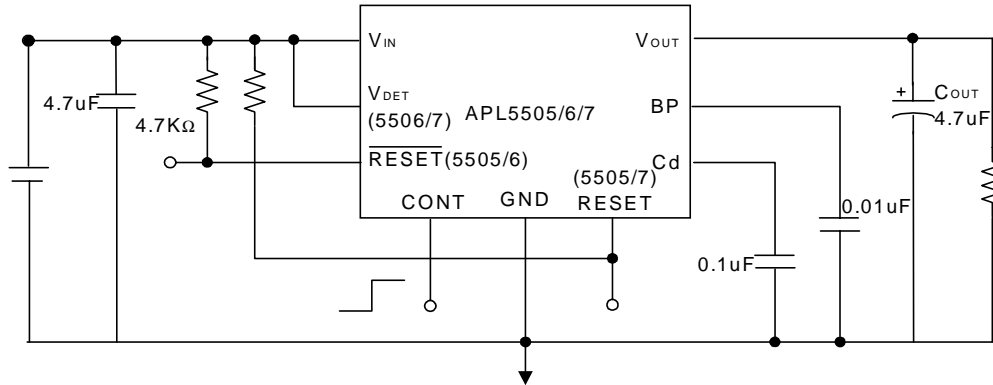
Note: Dropout voltage definition : $V_{IN}-V_{OUT}$ when V_{OUT} is 2% below the value of V_{OUT} for $V_{IN} = V_{OUT} + 0.5V$

Electrical Characteristics (Cont.)

Unless otherwise noted these specifications apply over full temperature , $V_{IN}=5V$, $C_{IN}=4.7\mu F$, $C_{OUT}=4.7\mu F$, $CONT=V_{IN}$, $T_J=0$ to $125^\circ C$. Typical values refer to $T_J=25^\circ C$.

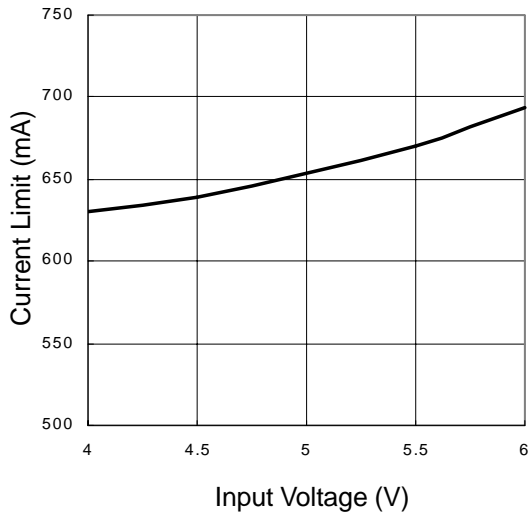
Symbol	Parameter	Test Conditions	APL5505/6/7			Unit
			Min.	Typ.	Max.	
RESET/RESET						
VS	Detection Voltage	$V_{IN} = H \rightarrow L$ (APL5505A) $V_{DET}=H \rightarrow L$ (APL5506A/5507A)		3.90		V
		$V_{IN} = H \rightarrow L$ (APL5505B) $V_{DET}=H \rightarrow L$ (APL5506B/5507B)		4.2		
$\Delta VS/\Delta T$	Vs Temperature Coefficient	$T_J = -20 \sim +80^\circ C$		100		ppm/ $^\circ C$
ΔVS	Hysteresis Voltage	$V_{IN} = V_{DET} = H \rightarrow L$	100		200	mV
V_{OL}	Low-level Output Voltage	$V_{IN} = V_{DET} = 3.9V$, $R_L = 4.7k$		30	60	mV
I_{OH}	Output Leakage Current	$V_{IN} = V_{DET} = 5V$		0.1		μA
I_{OL1}	Output Current1	$V_{IN} = V_{DET} = 3.9V$, $R_L = 0$	5			mA
I_{OL2}	Output Current2	$V_{IN} = V_{DET} = 3.9V$, $R_L = 0$	3			mA
tPLH	"H" Transmission Delay Time	$C_d = 0\mu F$		40	90	μs
tPLH1	Reset Delay Time	$V_{IN} = V_{DET} = 3.7V \rightarrow 5V$, $C_d = 0.1\mu F$		16		ms
tPHL	"L" Transmission Delay Time	$C_d = 0\mu F$		10	90	μs
V_{OPL}	Threshold Operating Voltage	$V_{OL} = 0.4V$		0.9	1.1	V

Application Circuit

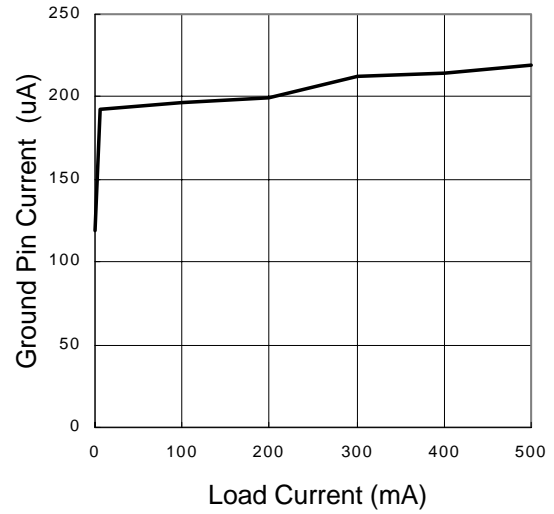


Typical Characteristics

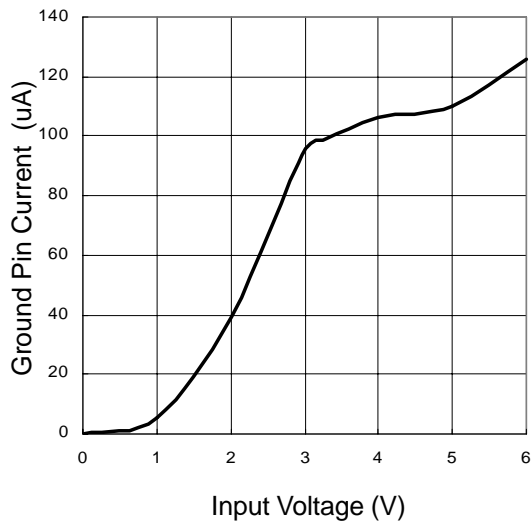
Current Limit vs. Input Voltage



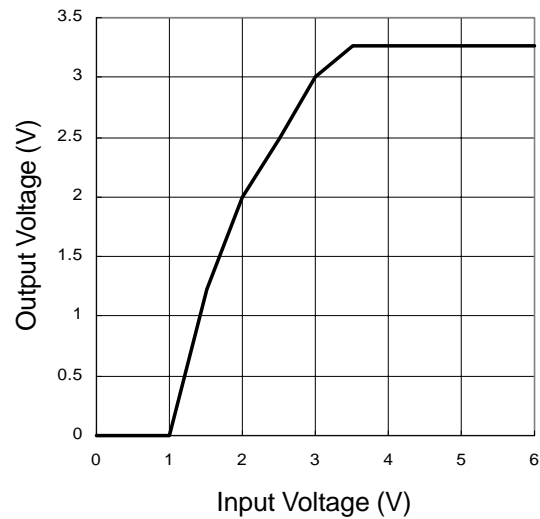
Ground Pin Current vs. Load Current



Ground Pin Current vs. Input Voltage

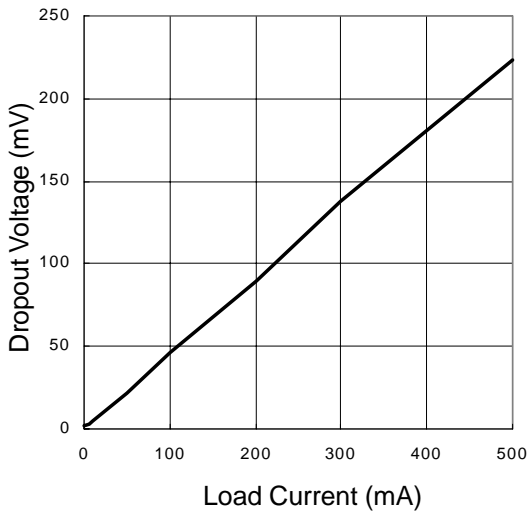


Input Voltage vs. Output Voltage

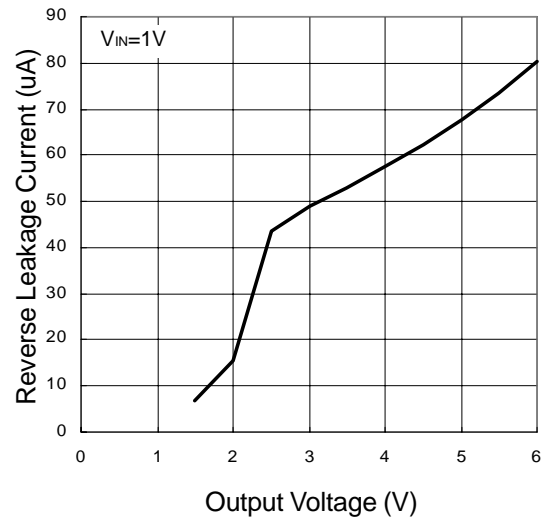


Typical Characteristics

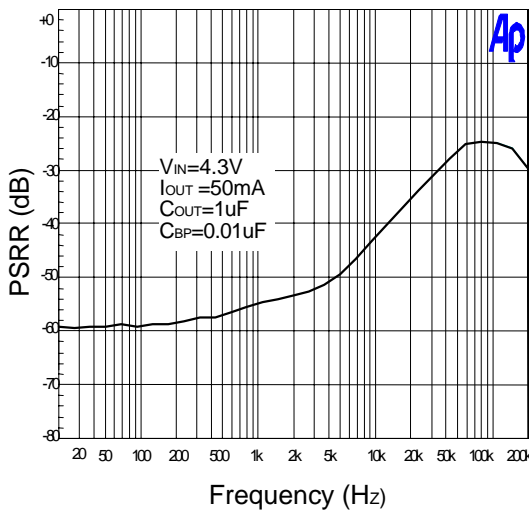
Dropout Voltage vs. Load Current



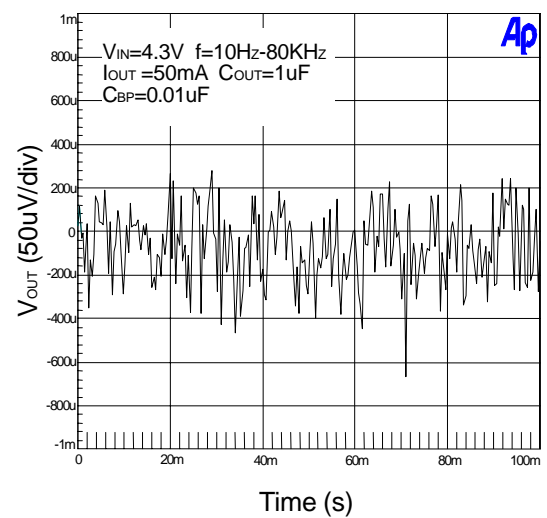
Reverse Leakage Current vs. Output Voltage



PSRR vs. Frequency

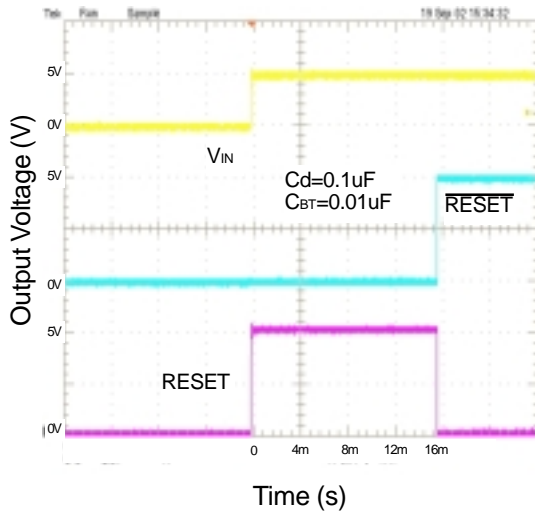


Output Noise

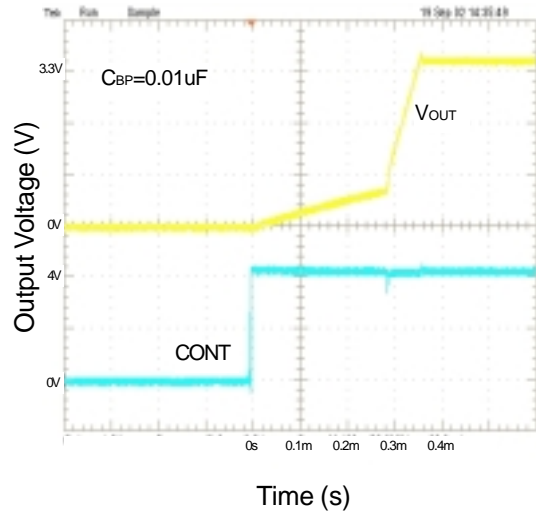


Typical Characteristics

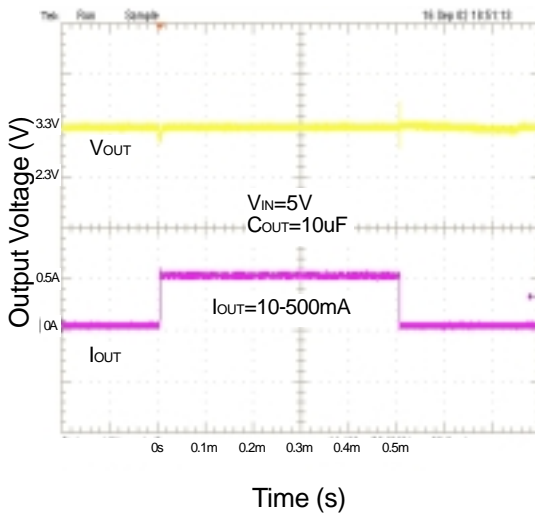
RESET and $\overline{\text{RESET}}$ Delay Time



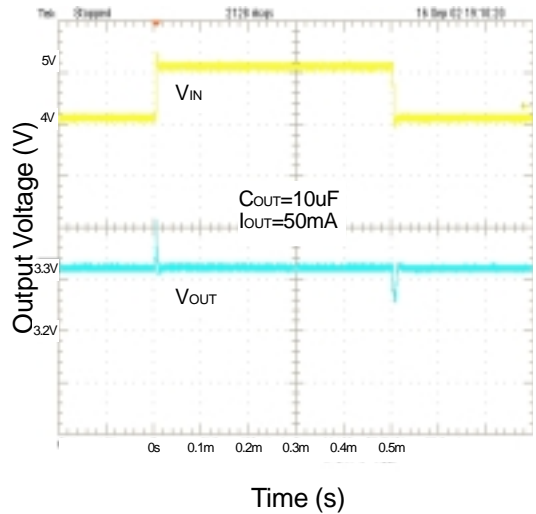
Shutdown Recovery Delay



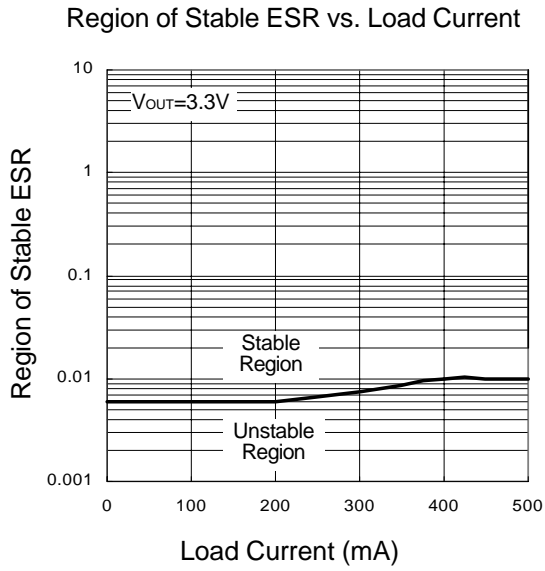
Load-Transient Response



Line-Transient Response

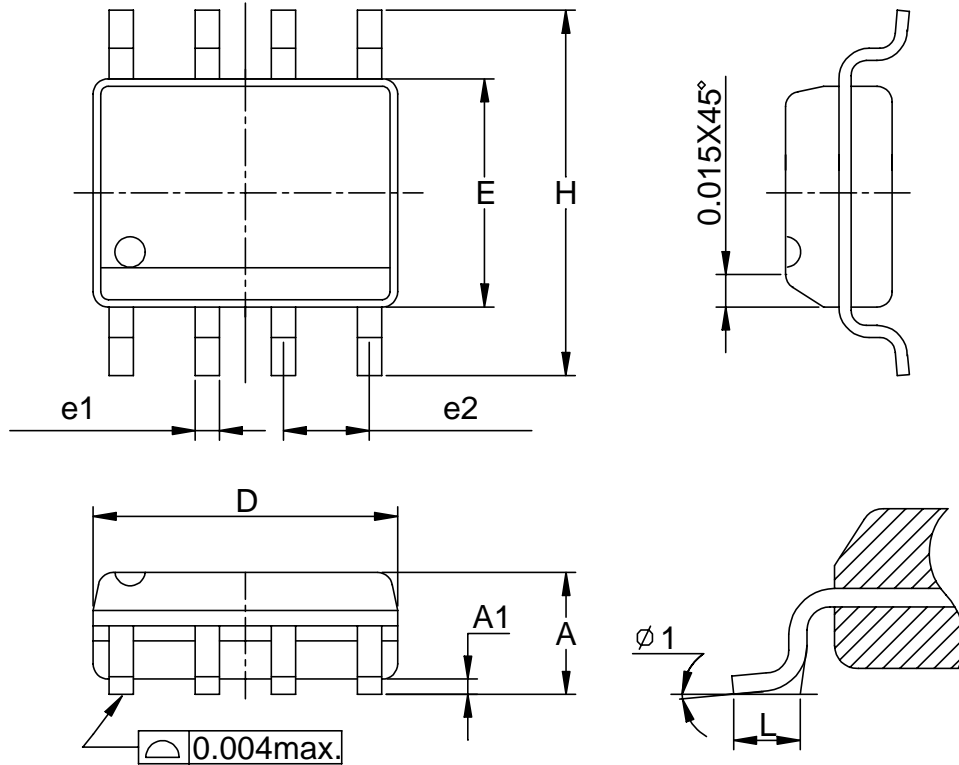


Typical Characteristics



Packaging Information

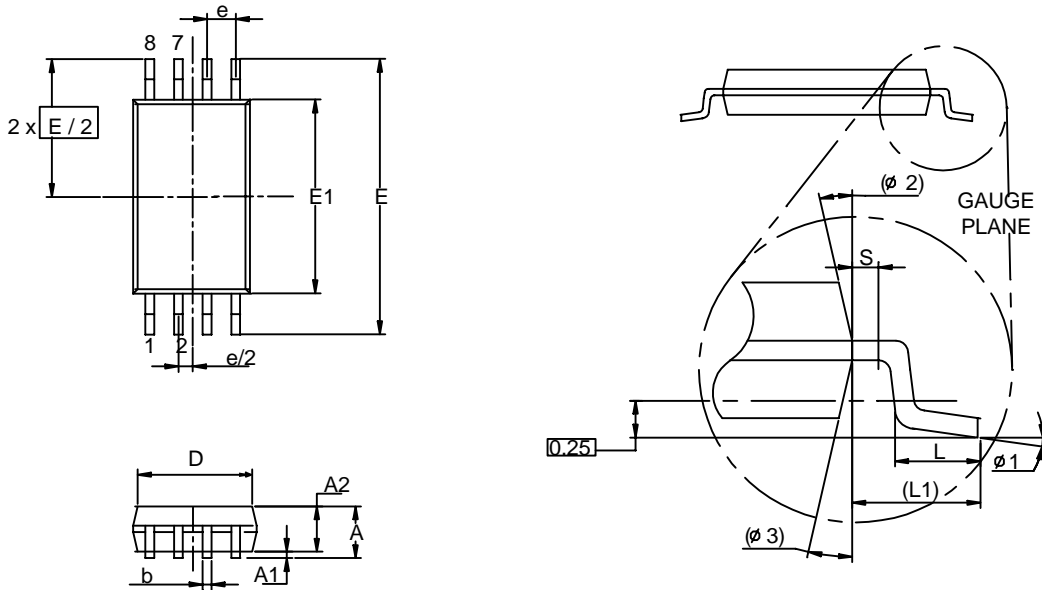
SOP-8 pin (Reference JEDEC Registration MS-012)



Dim	Millimeters		Inches	
	Min.	Max.	Min.	Max.
A	1.35	1.75	0.053	0.069
A1	0.10	0.25	0.004	0.010
D	4.80	5.00	0.189	0.197
E	3.80	4.00	0.150	0.157
H	5.80	6.20	0.228	0.244
L	0.40	1.27	0.016	0.050
e1	0.33	0.51	0.013	0.020
e2	1.27BSC		0.50BSC	
φ 1	8°		8°	

Packaging Information

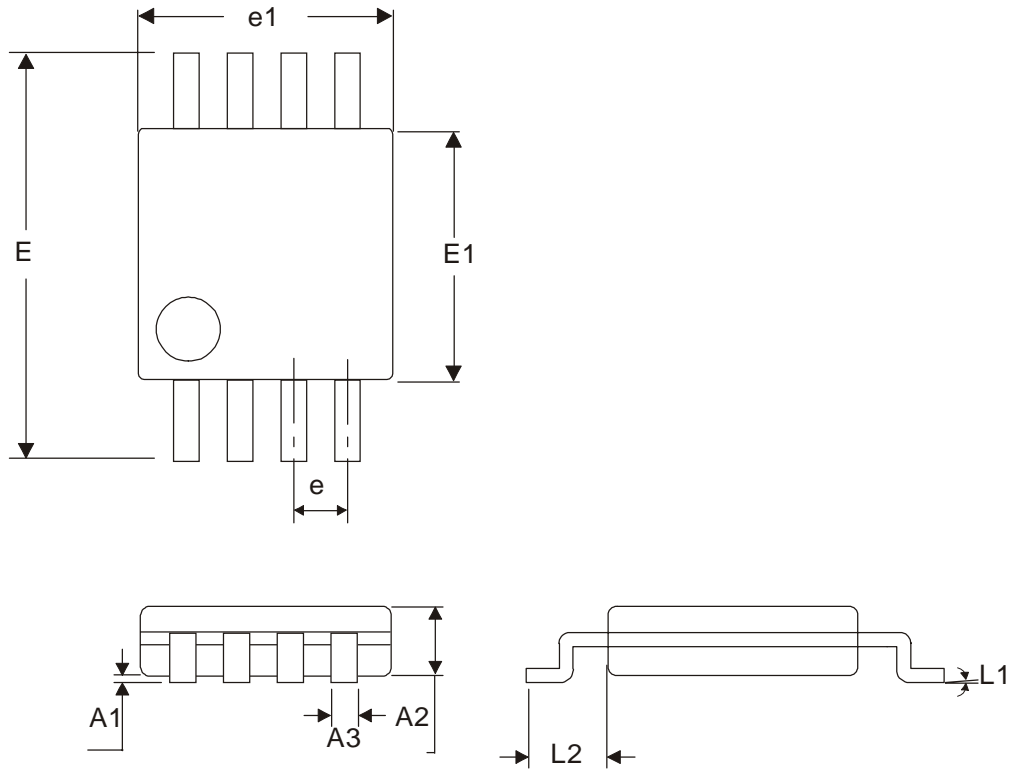
TSSOP



Dim	Millimeters		Inches	
	Min.	Max.	Min.	Max.
A		1.2		0.047
A1	0.00	0.15	0.000	0.006
A2	0.80	1.05	0.031	0.041
b	0.19	0.30	0.007	0.012
D	2.9	3.1	0.114	0.122
e	0.65 BSC		0.026 BSC	
E	6.40 BSC		0.252 BSC	
E1	4.30	4.50	0.169	0.177
L	0.45	0.75	0.018	0.030
L1	1.0 REF		0.039 REF	
R	0.09		0.004	
R1	0.09		0.004	
S	0.2		0.008	
phi 1	0°	8°	0°	8°
phi 2	12° REF		12° REF	
phi 3	12° REF		12° REF	

Packaging Information

MSOP



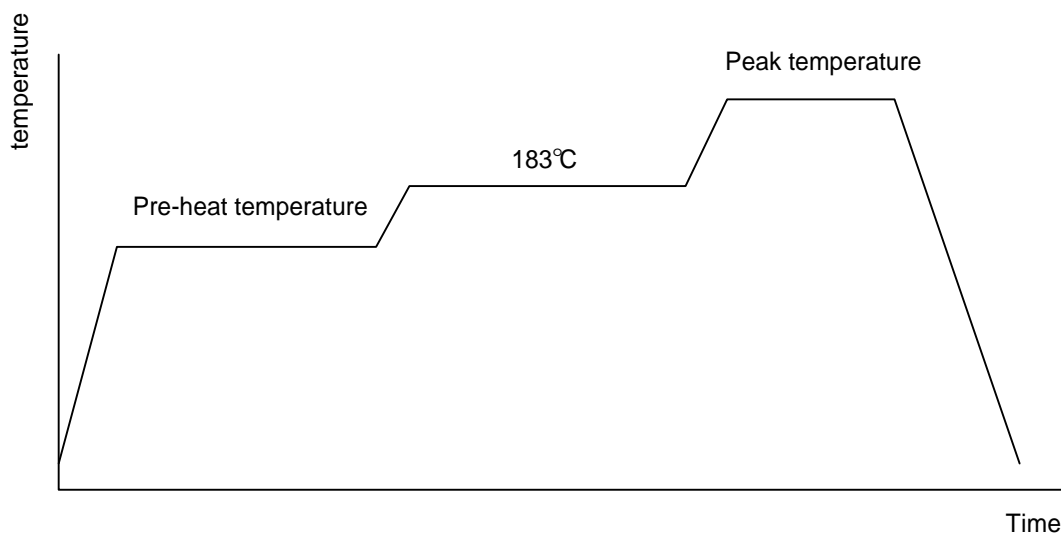
Dim	Millimeters		Inches	
	Min.	Max.	Min.	Max.
A1	0.06	0.15	0.002	0.006
A2	0.86 TYP		0.34 TYP	
A3	0.25	0.4	0.01	0.0126
e	0.65 TYP		0.0256 TYP	
e1	2.90	3.1	0.114	0.124
E	4.8	5.0	0.189	0.197
E1	2.90	3.1	0.169	0.177
L1	0.25 REF		0.039 REF	
L2	0.0375 REF		0.953 REF	

Physical Specifications

Terminal Material	Solder-Plated Copper (Solder Material : 90/10 or 63/37 SnPb)
Lead Solderability	Meets EIA Specification RSI86-91, ANSI/J-STD-002 Category 3.

Reflow Condition (IR/Convection or VPR Reflow)

Reference JEDEC Standard J-STD-020A APRIL 1999



Classification Reflow Profiles

	Convection or IR/ Convection	VPR
Average ramp-up rate(183°C to Peak)	3°C/second max.	10 °C /second max.
Preheat temperature 125 ± 25°C)	120 seconds max	
Temperature maintained above 183°C	60 – 150 seconds	
Time within 5°C of actual peak temperature	10 –20 seconds	60 seconds
Peak temperature range	220 +5/-0°C or 235 +5/-0°C	215-219°C or 235 +5/-0°C
Ramp-down rate	6 °C /second max.	10 °C /second max.
Time 25°C to peak temperature	6 minutes max.	

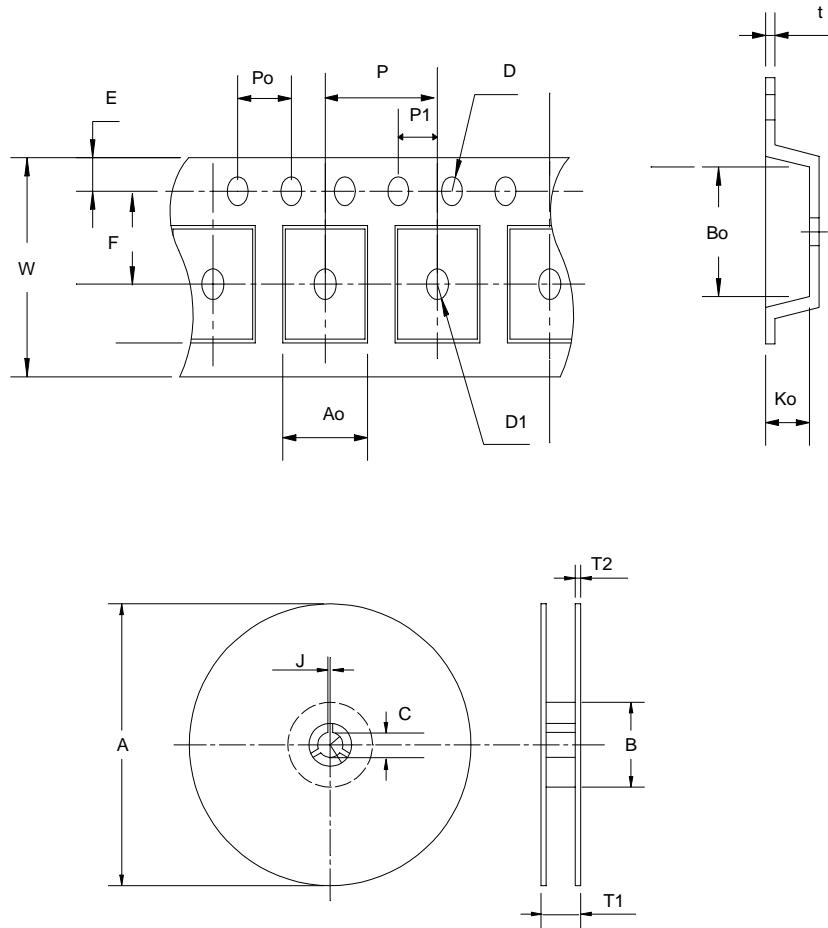
Package Reflow Conditions

pkg. thickness ≥ 2.5mm and all bgas	pkg. thickness < 2.5mm and pkg. volume ≥ 350 mm ³	pkg. thickness < 2.5mm and pkg. volume < 350mm ³
Convection 220 +5/-0 °C		Convection 235 +5/-0 °C
VPR 215-219 °C		VPR 235 +5/-0 °C
IR/Convection 220 +5/-0 °C		IR/Convection 235 +5/-0 °C

Reliability test program

Test item	Method	Description
SOLDERABILITY	MIL-STD-883D-2003	245°C , 5 SEC
HOLT	MIL-STD-883D-1005.7	1000 Hrs Bias @ 125 °C
PCT	JESD-22-B, A102	168 Hrs, 100 % RH , 121°C
TST	MIL-STD-883D-1011.9	-65°C ~ 150°C, 200 Cycles
ESD	MIL-STD-883D-3015.7	VHBM > 2KV, VMM > 200V
Latch-Up	JESD 78	10ms , I _{tr} > 100mA

Carrier Tape



Reel Dimensions

Application	A	B	C	J	T1	T2	W	P	E
SOP- 8	330 ± 1	62 +1.5	12.75+ 0.15	2 ± 0.5	12.4 ± 0.2	2 ± 0.2	12 ± 0.3	8 ± 0.1	1.75 ± 0.1
	F	D	D1	Po	P1	Ao	Bo	Ko	t
	5.5 ± 1	1.55 + 0.1	1.55 + 0.25	4.0 ± 0.1	2.0 ± 0.1	6.4 ± 0.1	5.2 ± 0.1	2.1 ± 0.1	0.3 ± 0.013
Application	A	B	C	J	T1	T2	W	P	E
TSSOP-8	330 ± 1	62 +1.5	12.75+ 0.15	2 + 0.5	12.4 ± 0.2	2 ± 0.2	12 ± 0.3	8 ± 0.1	1.75 ± 0.1
	F	D	D1	Po	P1	Ao	Bo	Ko	t
	5.5 ± 0.1	1.5 + 0.1	1.5 + 0.1	4.0 ± 0.1	2.0 ± 0.1	7.0 ± 0.1	3.6 ± 0.3	1.6 ± 0.1	0.3 ± 0.013

Cover Tape Dimensions

Application	Carrier Width	Cover Tape Width	Devices Per Reel
SOP- 8	12	9.3	2500
TSSOP- 8	12	9.3	2500

Customer Service

Anpec Electronics Corp.

Head Office :

5F, No. 2 Li-Hsin Road, SBIP,

Hsin-Chu, Taiwan, R.O.C.

Tel : 886-3-5642000

Fax : 886-3-5642050

Taipei Branch :

7F, No. 137, Lane 235, Pac Chiao Rd.,

Hsin Tien City, Taipei Hsien, Taiwan, R. O. C.

Tel : 886-2-89191368

Fax : 886-2-89191369

This datasheet has been downloaded from:

www.DatasheetCatalog.com

Datasheets for electronic components.