

Solid State Relay

SN Series Single Phase AC Output



- Zero Crossing or Random-on Switching
- Ratings from 60A-125A @ 24-660VAC
- SCR Output
- DC or AC Input
- Dielectric Strength 4000VACrms
- LED Indication
- Built-In RC Snubber Circuit
- Panel Mounted



Product Selection

ASR	—	SN	480	D	60	R	W	-L	M
	Packing - : Bulk Pack Y: Individual Pack	SN Series	Load Voltage 240:240VAC 480:480 VAC 600:600VAC	Control Voltage D:DC Control A:AC Control	Load Current 60:60Amp 80:80Amp 100:100Amp 125:125Amp	Switching Mode Z:Zero Crossing R:Random-on	Control Voltage: Y: 90-250 VAC W: 3-32 VDC	L:LED	M:MOV T: TVS Without: No Protection (Optional)

Technical Specification

Input parameters (Ta=25°C)		
Control Voltage Range	DC Input	3-32VDC
	AC Input	90-280VDC
Must Turn-on Voltage	DC Input	3VDC
	AC Input	90VAC
Must Turn-off Voltage	DC Input	1VDC
	AC Input	15VAC
Maximum Input Current	DC Input	25mA @32VDC
	AC Input	35mA@280VAC

Output parameters (Ta=25°C)		
Load Voltage	240V	24-280VAC
	480V	24-530VAC
	600V	24-660VAC
Maximum Turn-on Time	DC Input Random-on	1ms
	DC Input Zero-crossing	10ms
	AC Input	40ms
Maximum Turn-off Time	DC Input	10ms
	AC Input	20ms
Maximum Surge Current [@10ms]	60A	700A
	80A	800A
	100A	1000A
	125A	1250A

Solid State Relay

SN Series Single Phase AC Output

Technical Specification

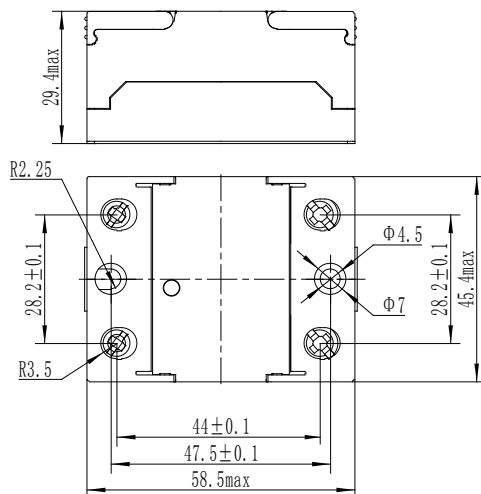
Output parameters (Ta=25°C)		
Maximum I ² t For Fusing [@10ms]	60A	2450A ² s
	80A	3200A ² s
	100A	5000A ² s
	125A	7812A ² s
Transient Overvoltage	240V	800Vpk
	480V	1200Vpk
	600V	1600Vpk
Maximum Off-state Leakage Current [@ Rated Voltage]	5mA	
Maximum On-state Voltage Drop [@ Rated Current]	1.6Vrms	
Minimum Off-state dv/dt	500V/μs	

General Specifications (Ta=25°C)		
Dielectric Strength (50/60Hz)	Input/Output	4000Vrms
	Input, Output/Base	2500Vrms
Min.Power Factor	0.5	
Min. Load Current	≥100mA	
Ambient Operating Temperature Range	-30°C ~ +80°C	
Ambient Storage Temperature Range	-30°C ~ +100°C	
Weight (Typical)	60A/80A/100A	75g
	125A	120g

Applications

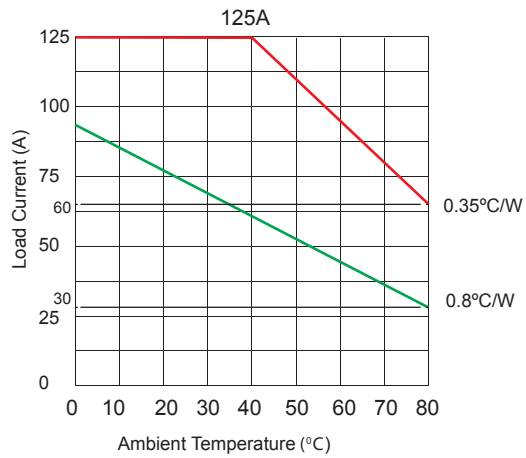
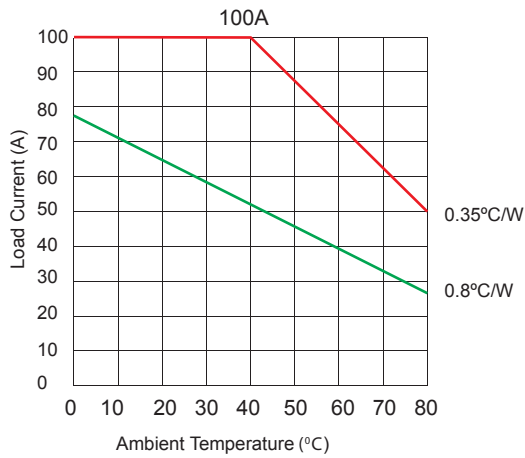
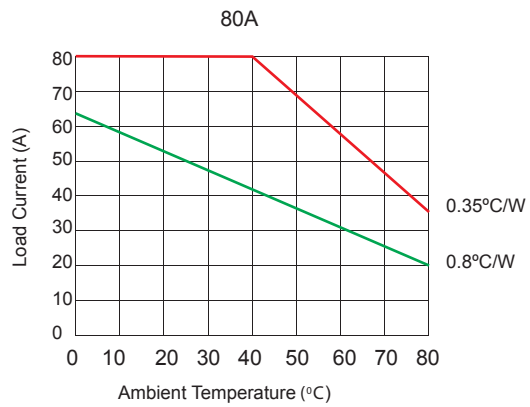
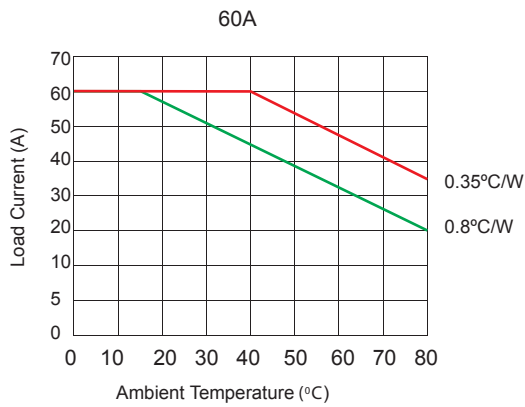
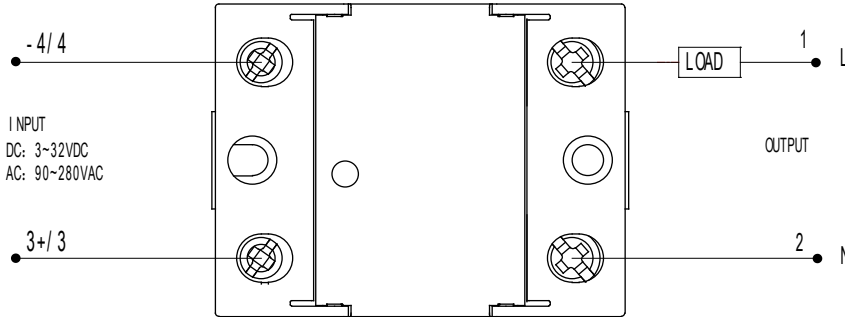
High-low Temperature Chamber, Food process machinery, Plastics Machinery.

Installation



Solid State Relay

SN Series Single Phase AC Output



1. Relay must be mounted to proper sized heat sink based on thermal curves. Thermal grease or a thermal pad must be used between relay and heat sink and be torqued down to 18-20/2.0-2.2in-lb/Nm.
2. When connecting wiring to SSR, ensure screws are torqued down properly (input 13-15/1.5-1.7in-lb/Nm, output 18-20/2.0-2.2 in-lb/Nm).
3. SSR's carrying load capacity is related to the operation ambient temperature and heat dissipation condition, please refer to the Thermal Derating Curve for derating.

