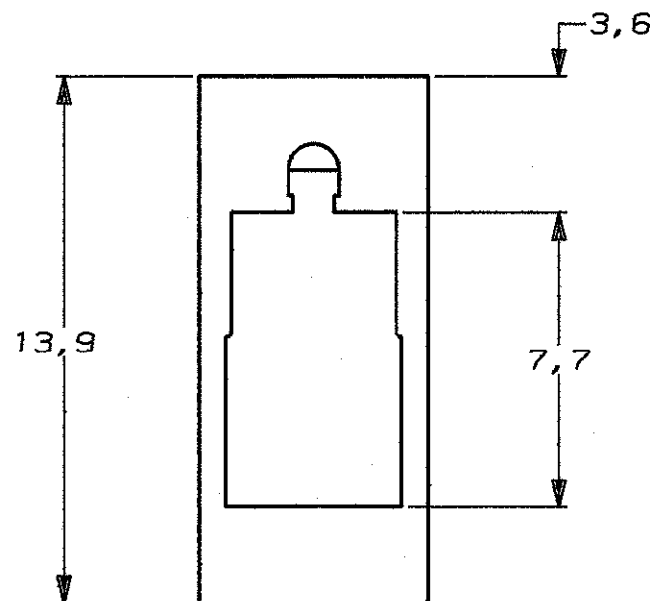
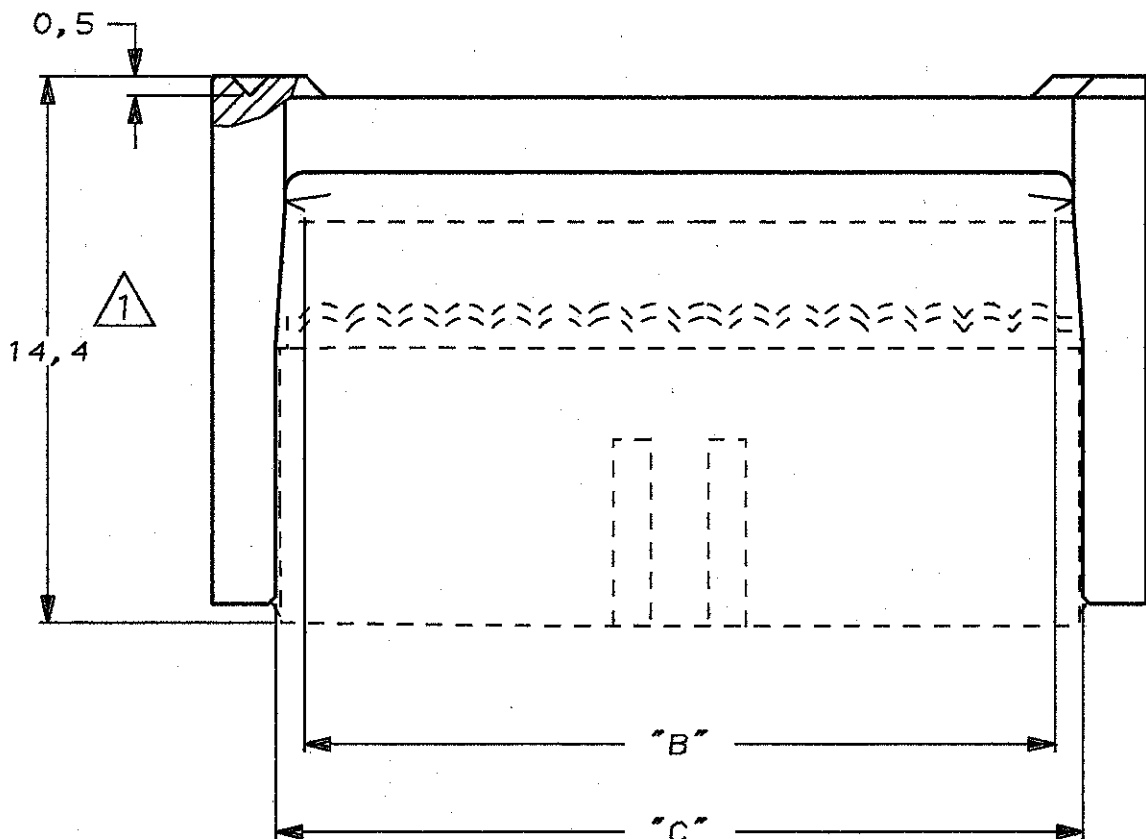
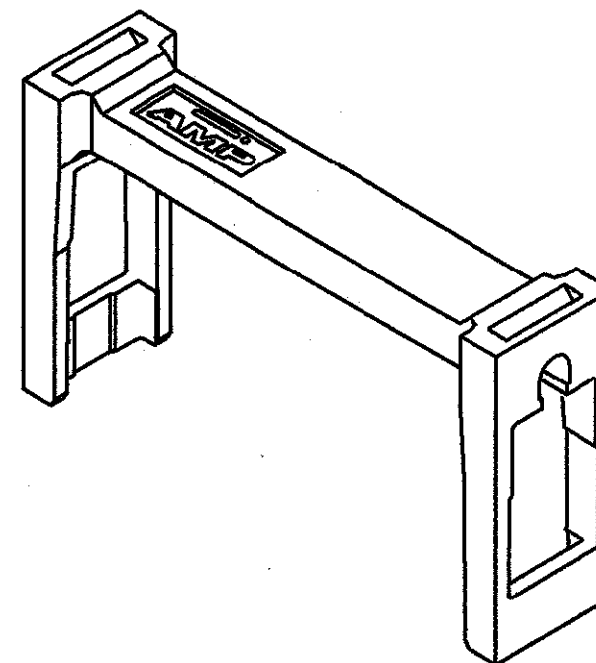
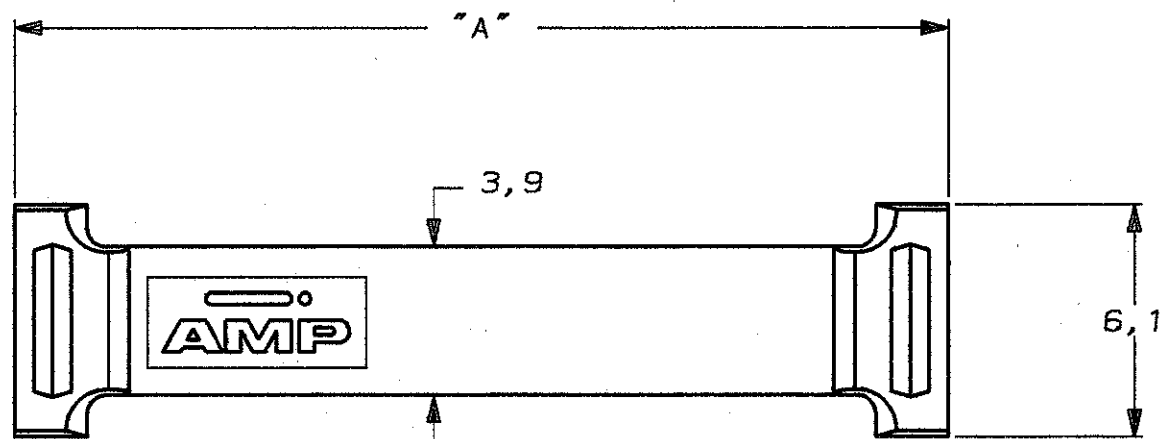
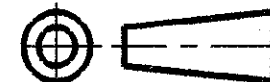


DO NOT SCALE
DIMENSIONS IN mm

METRIC

THIRD ANGLE
PROJECTION



| | | | | | |
|----------------------|---------------------|-------|-------|-------|------------|
| 64 | 32 | 85,88 | 82,07 | 82,64 | 6-100103-4 |
| 60 | 30 | 80,80 | 76,99 | 77,56 | 6-100103-0 |
| 50 | 25 | 68,10 | 64,29 | 64,86 | 5-100103-0 |
| 44 | 22 | 60,48 | 56,67 | 57,24 | 4-100103-4 |
| 40 | 20 | 55,40 | 51,59 | 52,16 | 4-100103-0 |
| 34 | 17 | 47,78 | 43,97 | 44,54 | 3-100103-4 |
| 30 | 15 | 42,70 | 38,89 | 39,46 | 3-100103-0 |
| 26 | 13 | 37,62 | 33,81 | 34,38 | 2-100103-6 |
| 20 | 10 | 30,00 | 26,19 | 26,76 | 2-100103-0 |
| 16 | 8 | 24,92 | 21,11 | 21,68 | 1-100103-6 |
| 14 | 7 | 22,38 | 18,57 | 19,14 | 1-100103-4 |
| 10 | 5 | 17,30 | 13,49 | 14,06 | 1-100103-0 |
| NR. OF CABLE POS. | NR. OF DUAL POS. | A | B | C | PARTNUMBER |

| | |
|---------------|-------------------|
| GREY RAL 7032 | GLASSFILLED NYLON |
| COLOR | MATERIAL |

NOTES:

- 1 ASSEMBLED WITH AMP-LATCH MIL-TYPE RECEPT. CONN. (SYMMETRIC COVER)
- 2 250 PIECES PACKED IN A PLASTIC BAG.

| | | | | | |
|-------------------------------------|-----------------|-------|---------------|------------------------------------------------------------------------------------------------------------|------------|
| CUSTOMER DRAWING | | | | FOR REFERENCE ONLY WILL NOT BE UPDATED | |
| © COPYRIGHT 19- BY AMP HOLLAND B.V. | | | | ALL INTERNATIONAL RIGHTS RESERVED. AMP PRODUCTS MAY BE COVERED BY U.S. AND FOREIGN AND/OR PATENTS PENDING. | |
| THIS DRAWING IS UNPUBLISHED | | | | RELEASED FOR PUBLICATION | |
| AMP | | | | AMP HOLLAND B.V. s-Hertogenbosch, The Netherlands. | |
| NAME | | | | AMP-LATCH MIL-TYPE RECEPT. CONN. STRAIN-RELIEF. | |
| B | H-9454 | JvdH | R.V. | 10-01-92 | |
| LTR. | REVISION RECORD | DR. | CHK. | DATE | |
| DR.: | R.HOGEVEEN. | CHK.: | R.VERSTIJNEN. | APP.: | L.V.SOEST. |
| DATE: | 06-08-90 | DATE: | 08-08-90 | DATE: | 23-08-90 |
| DWG. No. | | | | REV. LTR. | SHEET |
| C-100103 | | | | B | 1 OF 1 |