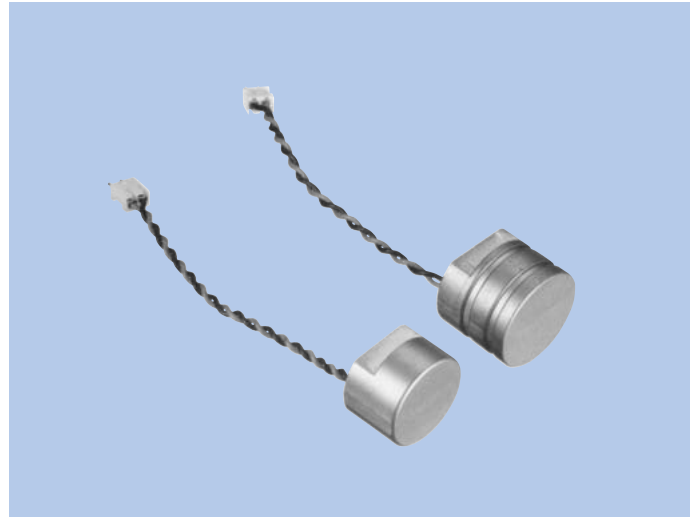


Ultrasonic Sensor

SUD-40165CB00•SUD-40150CB00

OUTLINE

The piezoelectrical effect of piezoelectric ceramic is used in this ultrasonic sensor for detecting the 40kHz- wavelength of acoustic energy.



FEATURES

1. Small size, light weight.
2. Size can be between $\phi 15 \sim 20$ mm in diameter.
3. Optimum structure and decay time.
4. Maximum input voltage is large, and sensitivity setting is easy.
5. Wide usage temperature range: $-30 \sim +80^{\circ}\text{C}$
6. Sensor is sealed and suitable for in-vehicle or outdoor use.

USES

1. Car rear sensors (sonar)
2. Unattended parking systems
3. Unattended open/close systems
4. Intruder warning devices

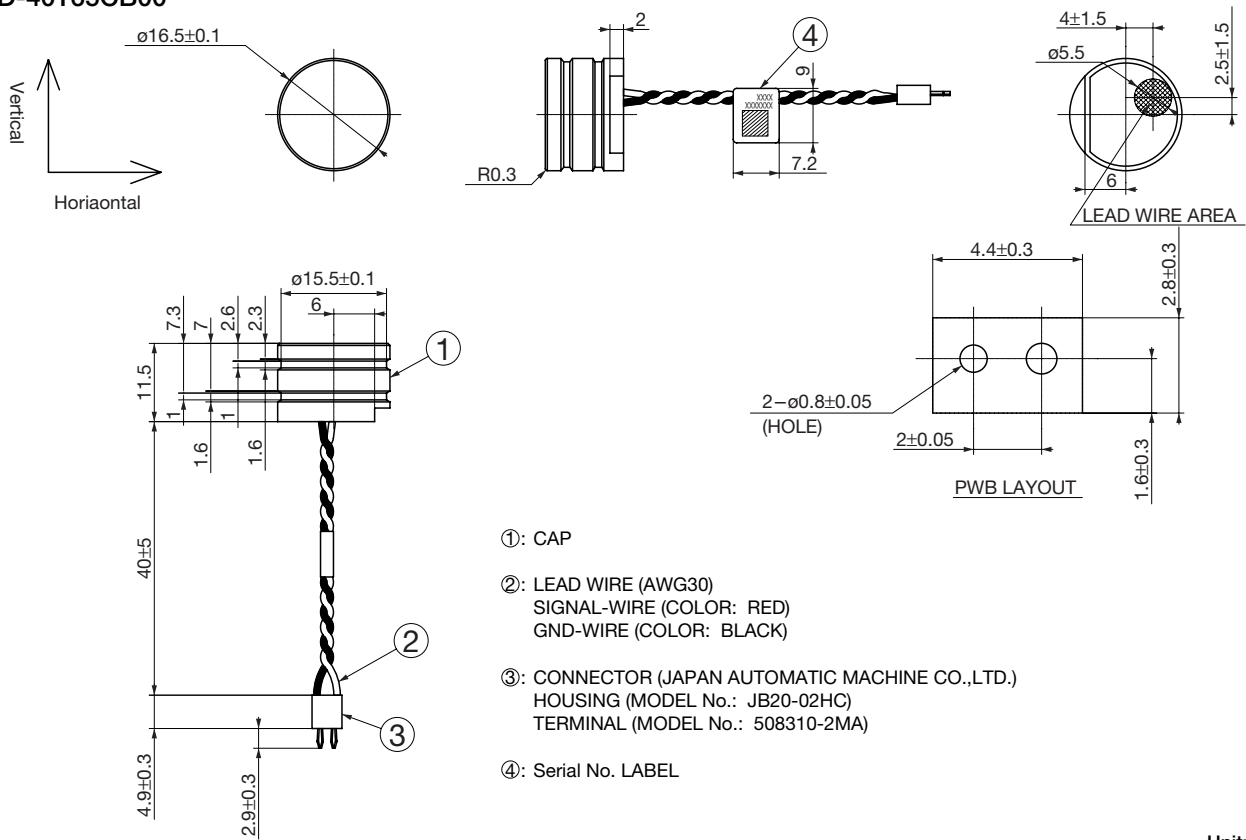
SPECIFICATIONS

Item	Specification
Nominal frequency	40kHz
Sound pressure	100dB typ.
Sensitivity	-84dB typ.
Reveratory sensitivity	1.5mVp-p min.
Decay time	1.5ms max.
Insulating resistance	100M Ω (when DC 100V is impressed)
Maximum input voltage	DC 100V max. AC 150Vp-p max.
Operating temperature range	$-30 \sim +80^{\circ}\text{C}$

*Specifications may be changed for the purpose of improvement and upgrading.

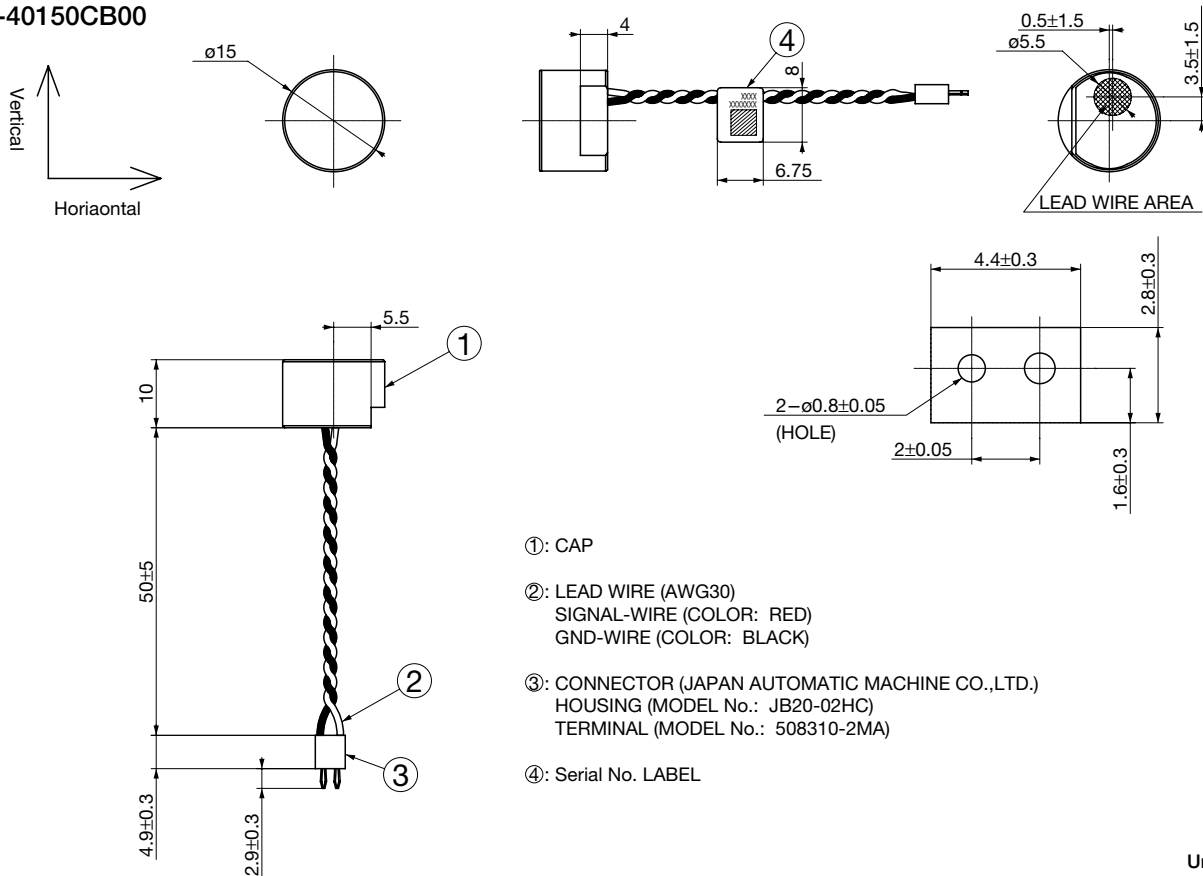
DIMENSIONS

SUD-40165CB00



Unit: mm

SUD-40150CB00



Unit: mm