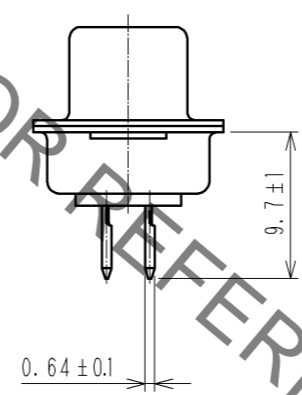
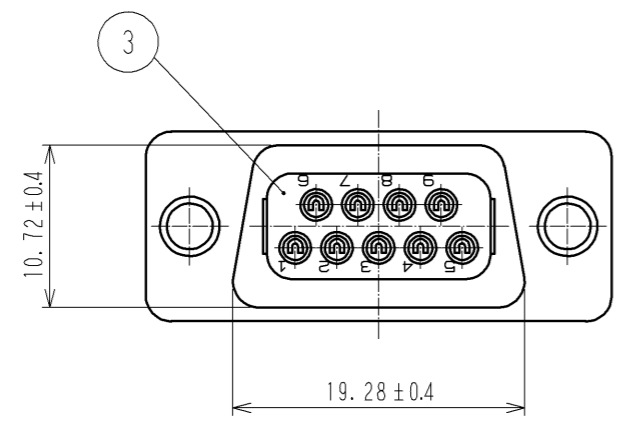
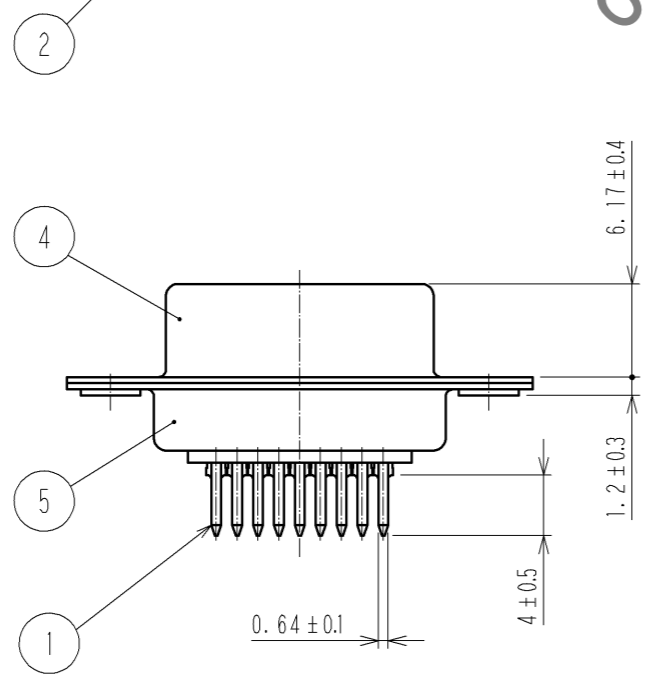
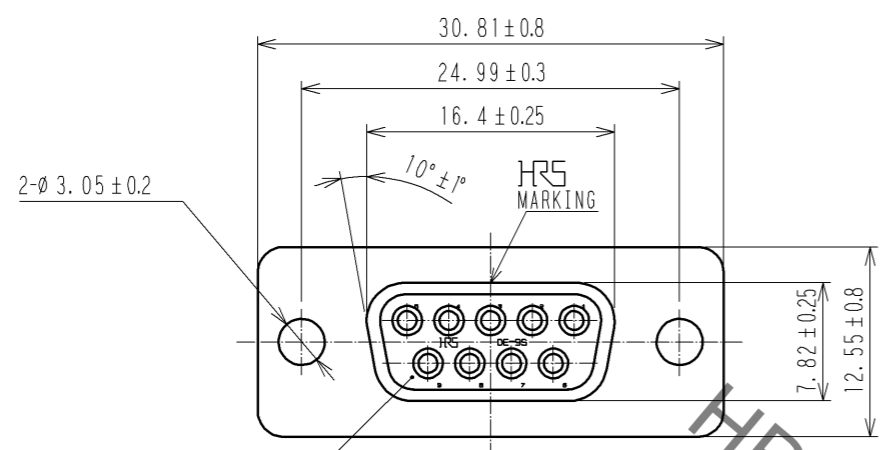
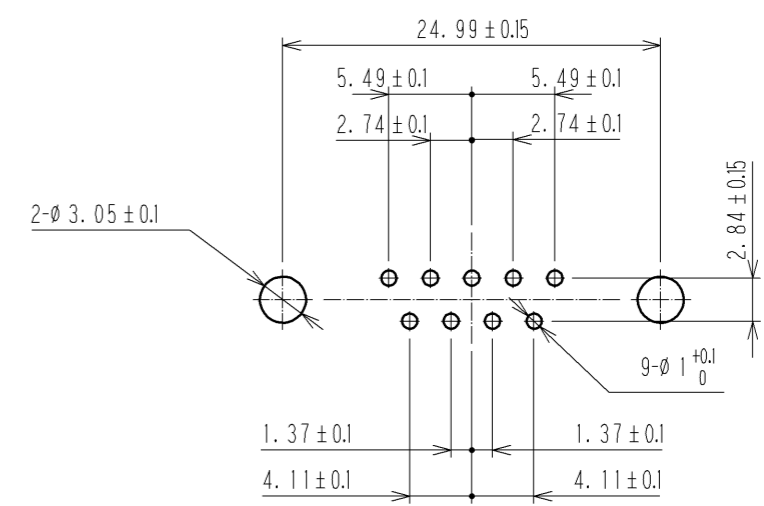


Aug.1.2022 Copyright 2022 HIROSE ELECTRIC CO., LTD. All Rights Reserved.
In case of consideration for using Automotive equipment / device which demand high reliability, kindly contact our sales window correspondents.



RECOMMENDED PC BOARD HOLE PATTERN
(MOUNTING SIDE)



HRS DRAWING FOR REFERENCE

3	PBT	(BLACK)UL94V-0					
2	PBT	(BLACK)UL94V-0	5	STEEL	OVER: Ni 2μm min UNDER: Cu 5μm min		
1	PHOSPHOR BRONZE	CONTACT: Au 0.2μm min LEAD: Au 0.03μm min UNDER: Ni 2μm min	4	STEEL	OVER: Ni 1μm min UNDER: Cu 5μm min		
NO.	MATERIAL	FINISH . REMARKS	NO.	MATERIAL	FINISH . REMARKS		
UNITS mm		SCALE 2 : 1	COUNT △	DESCRIPTION OF REVISIONS		DESIGNED	CHECKED
HRS HIROSE ELECTRIC CO., LTD.		APPROVED : YH. ENAMI	09.08.08	DRAWING NO. EDC3-009835-02			
		CHECED : YH. ENAMI	09.08.08	PART NO. SDEB-9S(55)			
		DESIGNED : KI. NAGANUMA	09.08.08	CODE NO. CL211-0248-6-55			
		DRAWN : KI. NAGANUMA	09.08.08				