



ZIBO MICRO COMMERCIAL COMPONENTS CORP.



ADD:ZhangLiu Road No.6
Zhangdian Zibo Shandong
P.C.:255000
Tel:+86-533-3032000/3032025
Fax:+86-533-3112884

DAN202

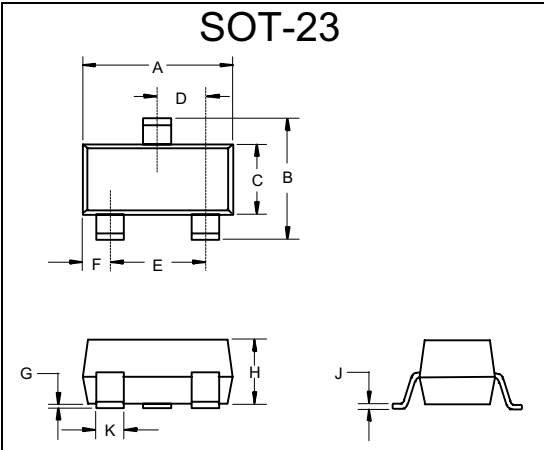
**100 mA
Switching Diode
80 Volts**

Features

- High reliability
- High speed (Trr=1.5ns Typ.)
- Lead Free Finish/RoHS Compliant ("P" Suffix designates RoHS Compliant. See ordering information)
- Epoxy meets UL 94 V-0 flammability rating
- Moisture Sensitivity Level 1
- Halogen free available upon request by adding suffix "-HF"

Maximum Ratings

Symbol	Parameter	Rating	Unit
V _{RM}	Peak Reverse Voltage	80	V
I _o	Average Forward Current	100	mA
I _{FM}	Peak Forward Current	300	mA
P _D	Power dissipation	200	mW
T _J	Junction Temperature	-55 to +150	°C
T _{STG}	Storage Temperature	-55 to +150	°C

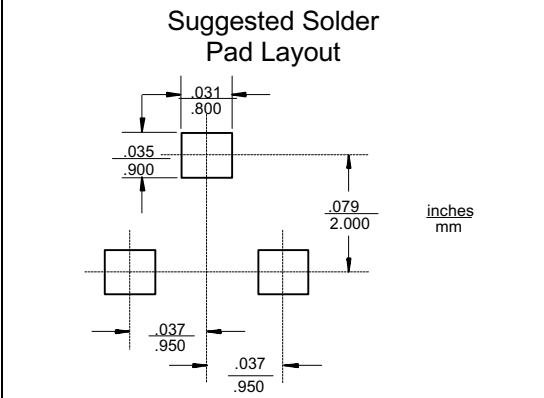
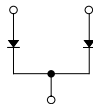


DIM	INCHES		MM		NOTE
	MIN	MAX	MIN	MAX	
A	.110	.120	2.80	3.04	
B	.083	.104	2.10	2.64	
C	.047	.055	1.20	1.40	
D	.035	.041	.89	1.03	
E	.070	.081	1.78	2.05	
F	.018	.024	.45	.60	
G	.0005	.0039	.013	.100	
H	.035	.044	.89	1.12	
J	.003	.007	.085	.180	
K	.015	.020	.37	.51	

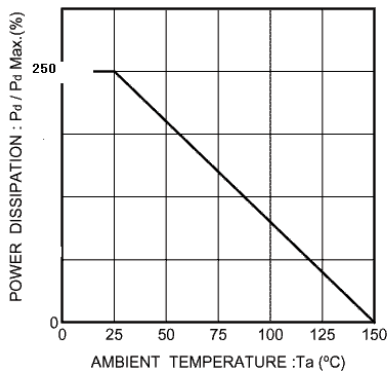
Electrical Characteristics @ 25°C Unless Otherwise Specified

Symbol	Parameter	Min	Typ	Max	Units
OFF CHARACTERISTICS					
V _F	Forward Voltage (I _F =100mA _{dc})	---	---	1.2	Vdc
I _R	Reverse Current (V _R =70Vdc)	---	---	0.1	uA _{dc}
C _D	Diode Capacitance (V _R =6V, f=1MHz)	---	---	3.5	pF
t _{rr}	Reverse Recovery Time (V _R =6V, I _F =5mA)	---	---	4	ns

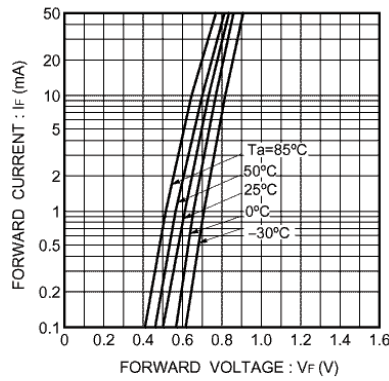
Marking: N



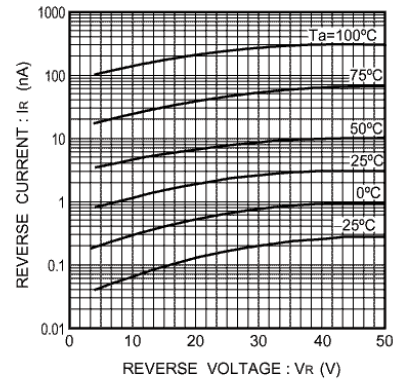
DAN202



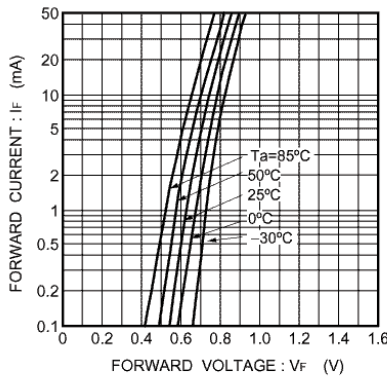
Power attenuation curve



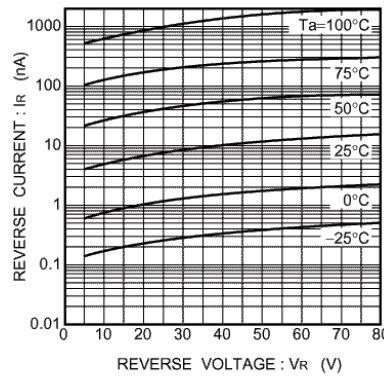
Forward characteristics (P Type)



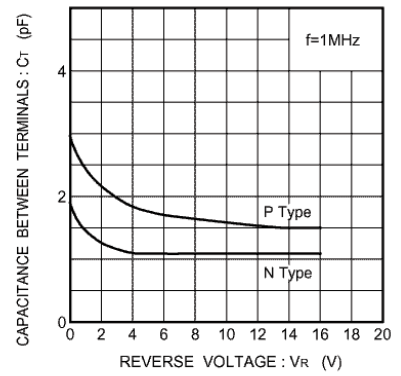
Reverse characteristics (P Type)



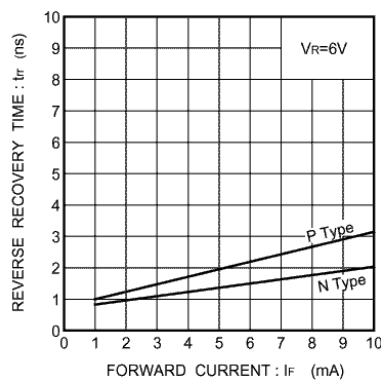
Forward characteristics (N Type)



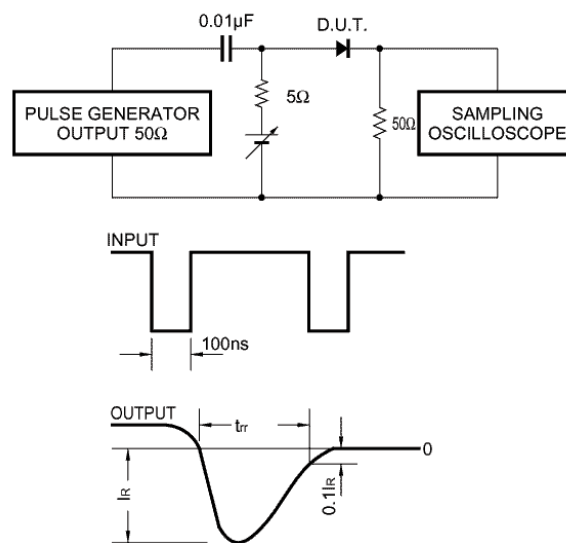
Reverse characteristics (N Type)



Capacitance between terminals characteristics



Reverse recovery time



Reverse recovery time (t_{rr}) measurement circuit



ZIBO MICRO COMMERCIAL
COMPONENTS CORP.

Ordering Information :

Device	Packing
Part Number-TP	Tape&Reel: 3Kpcs/Reel

Note : Adding "-HF" suffix for halogen free, eg. Part Number-TP-HF

*****LIFE SUPPORT*****

ZBMCC's products are not authorized for use as critical components in life support devices or systems without the express written approval of ZiBo Micro Commercial Components Corp.

*****CUSTOMER AWARENESS*****

Counterfeiting of semiconductor parts is a growing problem in the industry. ZiBo Micro Commercial Components Corp. is taking strong measures to protect ourselves and our customers from the proliferation of counterfeit parts. ZBMCC strongly encourages customers to purchase ZBMCC parts either directly from ZBMCC or from Authorized ZBMCC Distributors who are listed by country on our web page cited below. Products customers buy either from ZBMCC directly or from Authorized ZBMCC Distributors are genuine parts, have full traceability, meet ZBMCC's quality standards for handling and storage. ZBMCC will not provide any warranty coverage or other assistance for parts bought from Unauthorized Sources. ZBMCC is committed to combat this global problem and encourage our customers to do their part in stopping this practice by buying direct or from authorized distributors.