



4.3-10 Female Low PIM Connector Solder Attachment for SPP-250-LLPL, SPO-250, SPF-250

Times Microwave Systems Connector Specification

Configuration

- 4.3-10 Female Connector
- 50 Ohms
- Straight Body Geometry
- SPP-250-LLPL, SPO-250, SPF-250 Interface Type
- Solder/Solder Attachment
- Low PIM Design

Features

- Max. Operating Frequency 6 GHz
- Good VSWR of 1.35:1
- PIM levels lower than -160 dBc
- Silver Plated Phosphor Bronze Contact
- 200 μ m contact plating

Applications

- General Purpose Test
- Custom Cable Assemblies
- Distributed Antenna Systems (DAS)
- Wireless Communications
- Low PIM Applications

Description

Times Microwave's TC-SPP250-4310F-LP 4.3-10 female connector offered by Pasternack with solder/solder attachment for Times' SPP-250-LLPL, SPO-250 and SPF-250 is part of our full line of RF components available for same-day shipping. Times Microwave's 4.3-10 female connector operates up to a maximum frequency of 6 GHz and offers good VSWR of 1.35:1. The Times 4.3-10 female connector also has low passive intermodulation of -160 dBc.

Times Microwave's 4.3-10 female connector TC-SPP250-4310F-LP datasheet specifications and drawing with dimensions are shown below in this PDF. Pasternack's broad catalog of RF, microwave and millimeter wave connectors allows designers to configure and customize their signal connections however they like. Whether the need is to provide an I/O for a board design, or simply create a custom cable assembly configuration, Pasternack has the right connector for the job. Pasternack can also expertly build your custom cable assemblies for you and ship same-day.

Electrical Specifications

Description	Minimum	Typical	Maximum	Units
Frequency Range	DC		6	GHz
VSWR			1.35:1	
Insertion Loss			0.25	dB
Passive Intermodulation			-160	dBc
Operating Voltage (DC)			2,500	Vdc
Insulation Resistance	5,000			MOhms

Click the following link (or enter part number in "SEARCH" on website) to obtain additional part information including price, inventory and certifications: [4.3-10 Female Low PIM Connector Solder Attachment for SPP-250-LLPL, SPO-250, SPF-250 TC-SPP250-4310F-LP](#)



4.3-10 Female Low PIM Connector Solder Attachment
for SPP-250-LLPL, SPO-250, SPF-250

RF Connectors
Technical Data Sheet



TC-SPP250-4310F-LP

Performance by Frequency

Description	F1	F2	F3	F4	F5	Units
Frequency Range	DC to 3	3 to 6				GHz
VSWR, Max	1.25:1	1.35:1				

Electrical Specification Notes:
Insertion Loss is 0.1*sqrt(FGHz)

Mechanical Specifications

Size

Length 1.28 in [32.51 mm]
Width/Dia. 0.78 in [19.81 mm]

Material Specifications

Description	Material	Plating
Contact	Phosphor Bronze	Silver 200 µin
Insulation	PTFE	
Outer Conductor	Brass	Tri-Metal 80 µin
Body	Brass	Tri-Metal 80 µin

Environmental Specifications

Temperature

Operating Range -55 to +85 deg C
Shock MIL-STD 202G, Method 213, Condition I
Vibration MIL-STD 202G, Method 204, Condition B
Thermal Shock MIL-STD 202G, Method 107, Condition B

Compliance Certifications (see [product page](#) for current document)

Plotted and Other Data

Notes:

Click the following link (or enter part number in "SEARCH" on website) to obtain additional part information including price, inventory and certifications: [4.3-10 Female Low PIM Connector Solder Attachment for SPP-250-LLPL, SPO-250, SPF-250 TC-SPP250-4310F-LP](#)



4.3-10 Female Low PIM Connector Solder Attachment for SPP-250-LLPL, SPO-250, SPF-250

RF Connectors Technical Data Sheet



TC-SPP250-4310F-LP

4.3-10 Female Low PIM Connector Solder Attachment for SPP-250-LLPL, SPO-250, SPF-250 from Pasternack Enterprises has same day shipment for domestic and International orders. Our RF, microwave and millimeter wave products maintain a 99.4% availability and are part of the broadest selection in the industry.

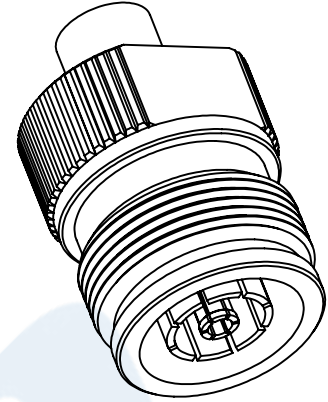
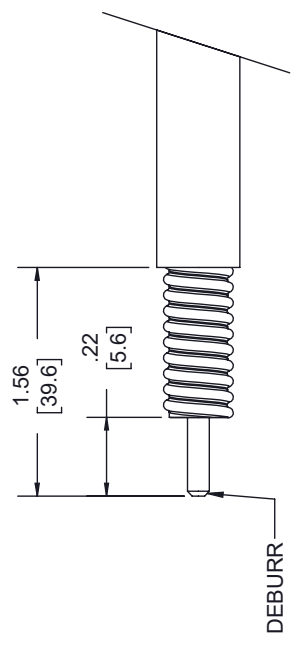
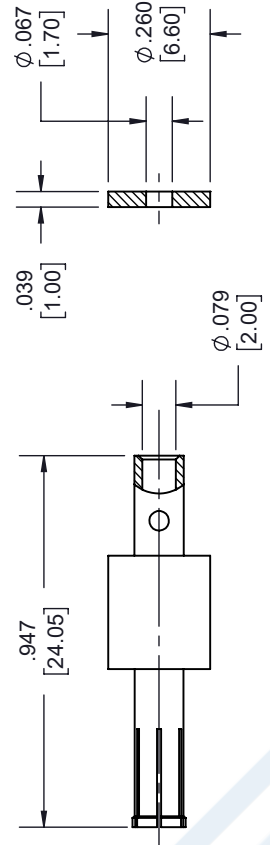
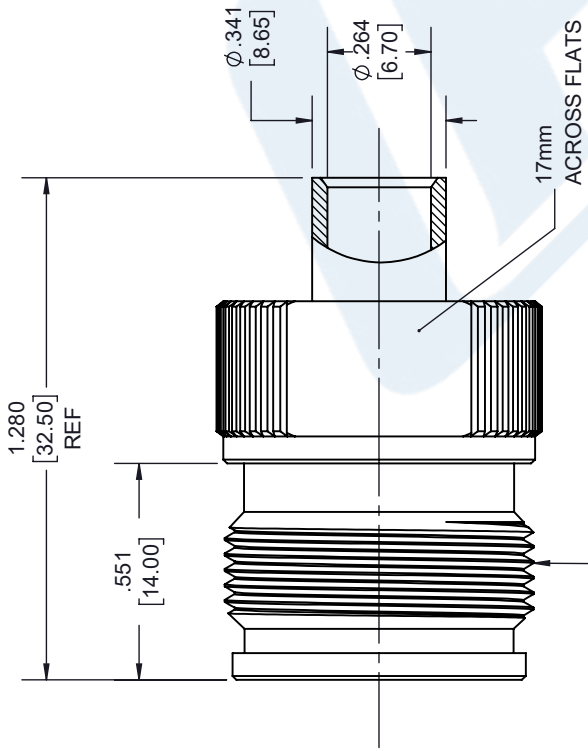
Click the following link (or enter part number in "SEARCH" on website) to obtain additional part information including price, inventory and certifications: [4.3-10 Female Low PIM Connector Solder Attachment for SPP-250-LLPL, SPO-250, SPF-250 TC-SPP250-4310F-LP](https://www.pasternack.com/4.3-10-female-spp-250-llpl-spo-250-connector-tc-spp250-4310f-lp-p.aspx)

URL: <https://www.pasternack.com/4.3-10-female-spp-250-llpl-spo-250-connector-tc-spp250-4310f-lp-p.aspx>

The information contained in this document is accurate to the best of our knowledge and representative of the part described herein. It may be necessary to make modifications to the part and/or the documentation of the part, in order to implement improvements. Pasternack reserves the right to make such changes as required. Unless otherwise stated, all specifications are nominal. Pasternack does not make any representation or warranty regarding the suitability of the part described herein for any particular purpose, and Pasternack does not assume any liability arising out of the use of any part or documentation.

4.3-10 Female Low PIM Connector Solder Attachment
for SPP-250-LLPL, SPO-250, SPF-250

REVISIONS			
REV.	DESCRIPTION	DATE	APPROVED
A	INITIAL RELEASE	03/13/19	S. ELLIS



STRIPPING DIMENSIONS

- NOTES:
- CABLE ATTACHMENT:
 - OUTER: SOLDER.
 - INNER: SOLDER.

UNLESS OTHERWISE SPECIFIED LEADING DIMENSIONS ARE INCHES DIMENSIONS IN [] ARE MILLIMETERS TOLERANCES: X±.2 [5.08] FRACTIONS XX±.01 [.25] ±1/32 XXX±.005 [0.13] ANGLES ± 1° ALL DIMENSIONS SHOWN ARE FOR REFERENCE ONLY. THIRD-ANGLE PROJECTION		PE PASTERNAK an INFINITO brand		Pastermack Enterprises, Inc. P. O. Box 16759, Irvine, CA 92623. Phone: 1.949.261.1920 1.866.727.8376 Fax: 1.949.261.7451 www.pasternack.com e-mail: sales@pasternack.com		THE INFORMATION AND DESIGN IN THIS DOCUMENT IS THE PROPERTY OF PASTERNAK CORPORATION. ALL RIGHTS RESERVED.	
		SIZE A	CAGE 53919	DRAWN BY K.DANG	PART NUMBER TC-SPP250-4310F-LP	SHEET 1 OF 1	SCALE N/A

THESE COMMODITIES, TECHNOLOGY OR SOFTWARE WERE EXPORTED FROM THE UNITED STATES IN ACCORDANCE WITH THE EXPORT ADMINISTRATION REGULATIONS. DIVERSION CONTRARY TO U.S. LAW PROHIBITED.