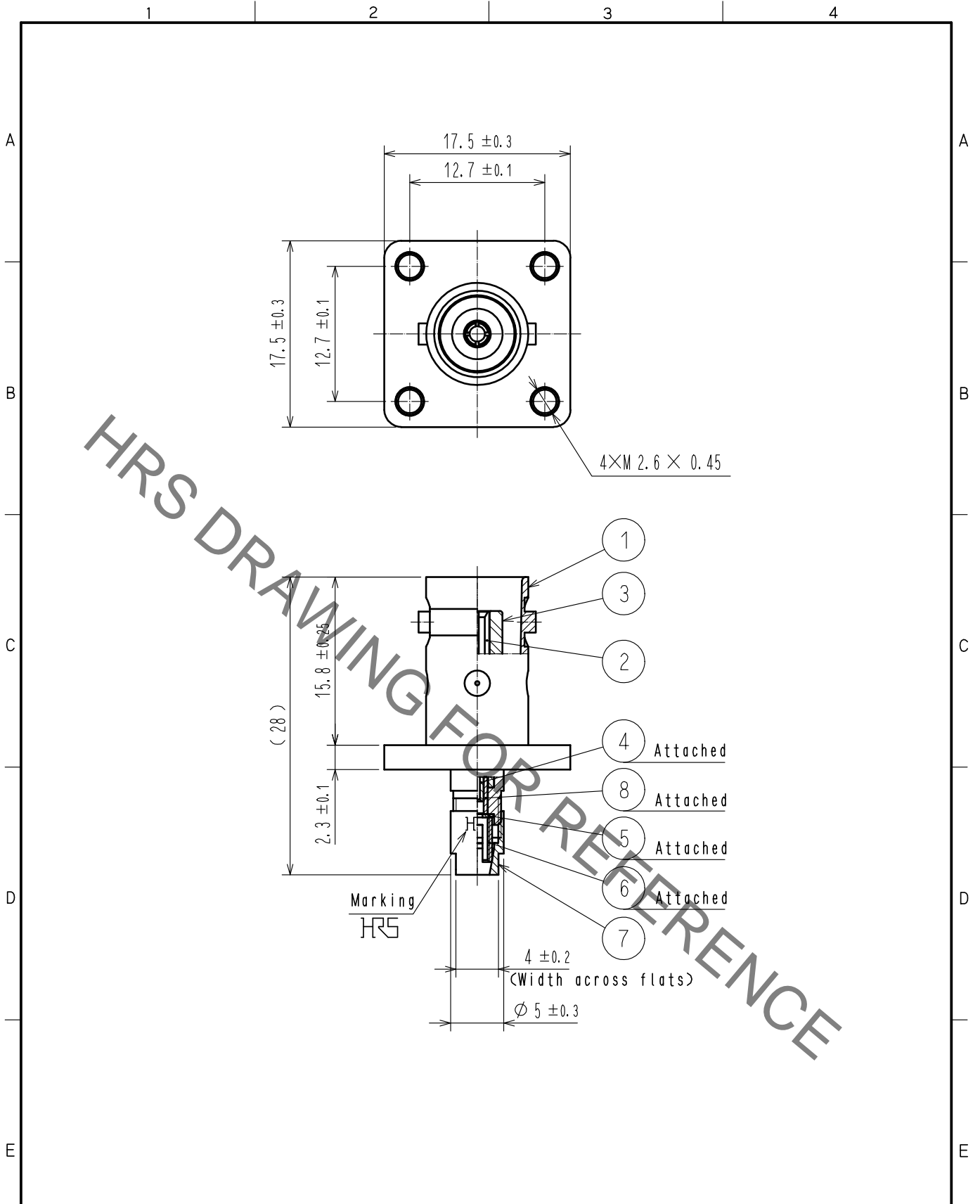


Aug.1.2022 Copyright 2022 HIROSE ELECTRIC CO., LTD. All Rights Reserved.
 In case of consideration for using Automotive equipment / device which demand high reliability, kindly contact our sales window correspondents.



4	BRASS	GOLD PLATING	8	PTFE	
3	PTFE		7	BRASS	NICKEL PLATING
2	BERYLLIUM COPPER	GOLD PLATING	6	BRASS	NICKEL PLATING
1	BRASS	NICKEL PLATING	5	BRASS	NICKEL PLATING
NO.	MATERIAL	FINISH	NO.	MATERIAL	FINISH . REMARKS

UNITS mm		SCALE 2 : 1	COUNT 	DESCRIPTION OF REVISIONS	DESIGNED	CHECKED	DATE
HIROSE ELECTRIC CO., LTD.		APPROVED : NK. NINOMIYA	20211019	DRAWING NO.	EDC-004741-41-00		
		CHECKED : NK. NINOMIYA	20211019	PART NO.	BNC-PJ-196/U(41)		
		DESIGNED : MT. KANEKO	20211019	CODE NO.	CL0302-0194-6-41		
		DRAWN : NK. OOSHIMA	20211019				