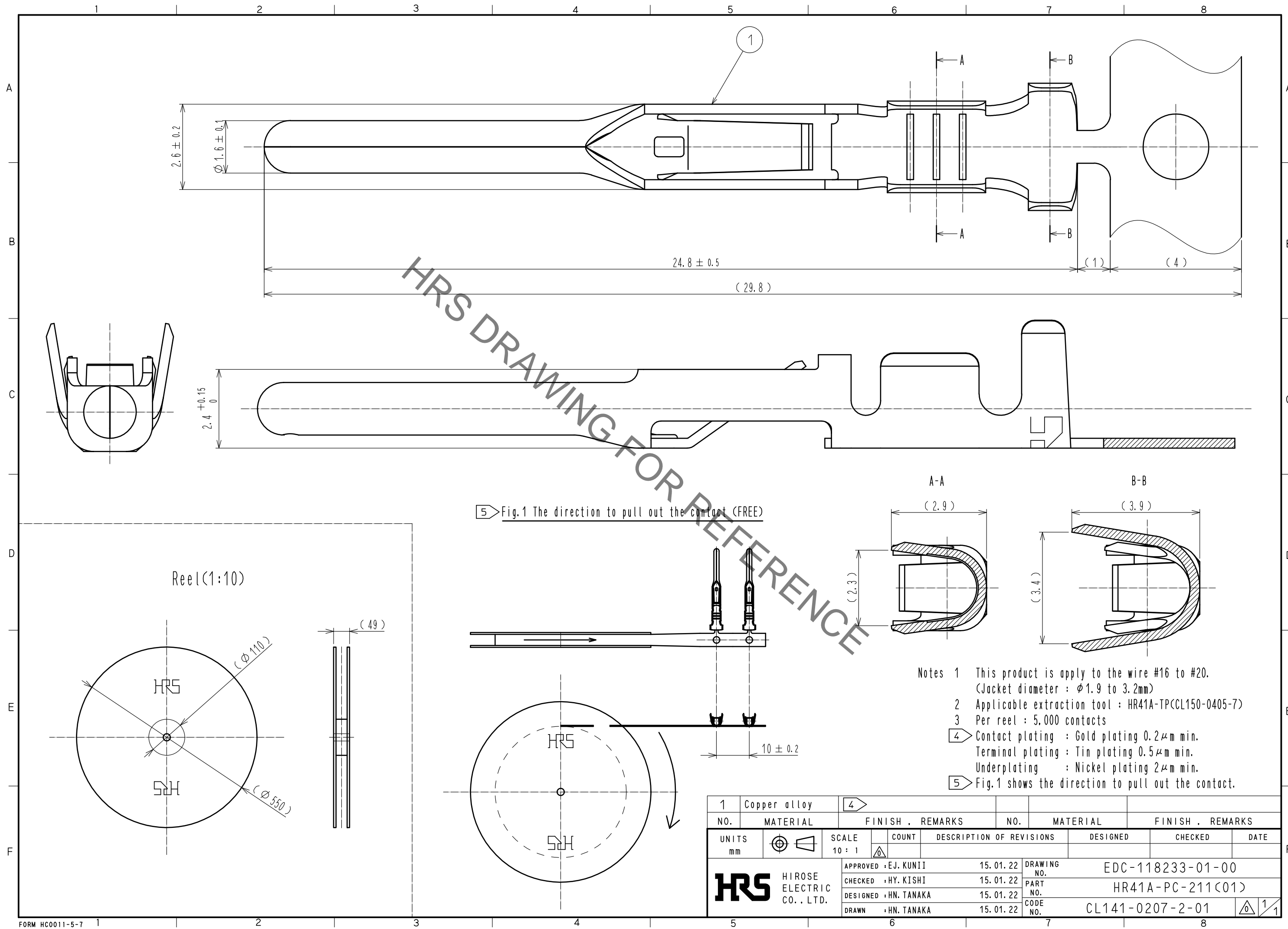


Aug.1.2022 Copyright 2022 HIROSE ELECTRIC CO., LTD. All Rights Reserved.
In case of consideration for using Automotive equipment / device which demand high reliability, kindly contact our sales window correspondents.



- Notes
- 1 This product is apply to the wire #16 to #20.
(Jacket diameter : $\phi 1.9$ to 3.2mm)
 - 2 Applicable extraction tool : HR41A-TP(CL150-0405-7)
 - 3 Per reel : 5,000 contacts
 - 4 Contact plating : Gold plating $0.2\mu\text{m}$ min.
Terminal plating : Tin plating $0.5\mu\text{m}$ min.
Underplating : Nickel plating $2\mu\text{m}$ min.
 - 5 Fig.1 shows the direction to pull out the contact.

1	Copper alloy	4					
NO.	MATERIAL	FINISH .	REMARKS	NO.	MATERIAL	FINISH .	REMARKS
UNITS		SCALE	COUNT	DESCRIPTION OF REVISIONS			DESIGNED
mm		10 : 1					CHECKED
HRS HIROSE ELECTRIC CO., LTD.				APPROVED : EJ. KUNII	15.01.22	DRAWING NO. EDC-118233-01-00	
				CHECKED : HY. KISHI	15.01.22	PART NO. HR41A-PC-211(C01)	
				DESIGNED : HN. TANAKA	15.01.22	CODE NO. CL141-0207-2-01	
				DRAWN : HN. TANAKA	15.01.22	1/1	