



ALR

TE Internal #: 636452-000

ANSI Street Lighting Photocells, Worldwide, Thermal, 420 – 530

VAC, Commercial / Industrial, 1800 VA Load Rating (Ballast),

Locking

[View on TE.com >](#)

Connectors > Lighting Connectors > Street Lighting Controls > Street Lighting Photocells



Product Availability: **Worldwide**

Street Lighting Photo Control Technology: **Thermal**

Operating Voltage Range: **420 – 530 VAC**

Grade: **Commercial, Industrial**

Load Rating (Ballast): **1800 VA**

**Features**

**Product Type Features**

Light Sensor	CdS Photocell
Street Lighting Photo Control Technology	Thermal

**Electrical Characteristics**

Operating Voltage Range	420 – 530 VAC
Load Rating (Ballast)	1800 VA
Load Rating (Tungsten)	1000 W
Fail Mode	On
Surge Protection	180 Joule
Operating Frequency	50 – 60 Hz

**Body Features**

Compatible With Lamp Type	LED
Primary Product Color	Yellow

**Mechanical Attachment**

Mounting Options	Locking
------------------	---------

**Housing Features**

Housing Material	High Impact Noryl with UV-Stabilized Acrylic Window
------------------	---



### Dimensions

Product Diameter	74 mm[2.93 in]
Product Height	50 mm[1.96 in]

### Usage Conditions

Operating Temperature Range	-40 – 65 °C[-40 – 149 °F]
-----------------------------	---------------------------

### Operation/Application

Turn OFF Time Delay	30 – 45 seconds
Turn ON Light Level	1.5 fc
Turn ON Time Delay	30 – 45 seconds

### Industry Standards

Compatible With Approved Standards Products	ANSI C136.10
---	--------------

### Product Availability

Product Availability	Worldwide
----------------------	-----------

### Packaging Features

Packaging Quantity	6
Packaging Method	Box

### Other

Warranty	3 Years
Grade	Commercial, Industrial
OFF/ON Ratio	5:1

### Product Compliance

For compliance documentation, visit the product page on [TE.com](https://www.te.com)>

EU RoHS Directive 2011/65/EU	Compliant with Exemptions
EU ELV Directive 2000/53/EC	Compliant
China RoHS 2 Directive MIIT Order No 32, 2016	Restricted Materials Above Threshold
EU REACH Regulation (EC) No. 1907/2006	Current ECHA Candidate List: JUNE 2024 (241) Candidate List Declared Against: JUNE 2024 (241) SVHC > Threshold: Cd (2.1% in Photo cell)

#### Article Safe Usage Statements:

Use personal protective equipment as required. Do not eat, drink or smoke when using this product. Recycle if possible and dispose of the article by following all applicable governmental regulations relevant to your geographic location.

Halogen Content

Low Halogen - Br, Cl, F, I < 900 ppm per homogenous material. Also BFR/CFR/PVC Free

Solder Process Capability

Not applicable for solder process capability

Product Compliance Disclaimer

This information is provided based on reasonable inquiry of our suppliers and represents our current actual knowledge based on the information they provided. This information is subject to change. The part numbers that TE has identified as EU RoHS compliant have a maximum concentration of 0.1% by weight in homogenous materials for lead, hexavalent chromium, mercury, PBB, PBDE, DBP, BBP, DEHP, DIBP, and 0.01% for cadmium, or qualify for an exemption to these limits as defined in the Annexes of Directive 2011/65/EU (RoHS2). Finished electrical and electronic equipment products will be CE marked as required by Directive 2011/65/EU. Components may not be CE marked. Additionally, the part numbers that TE has identified as EU ELV compliant have a maximum concentration of 0.1% by weight in homogenous materials for lead, hexavalent chromium, and mercury, and 0.01% for cadmium, or qualify for an exemption to these limits as defined in the Annexes of Directive 2000/53/EC (ELV). Regarding the REACH Regulation, the information TE provides on SVHC in articles for this part number is based on the latest European Chemicals Agency (ECHA) 'Guidance on requirements for substances in articles' posted at this URL: <https://echa.europa.eu/guidance-documents/guidance-on-reach>

### Compatible Parts

TE Part # 2213362-4  
RCPT ASSY, DIMMABLE  
PHOTOCONTROL, 105C, 3/4

TE Part # 2213627-4  
ASSEMBLY, ROT DIM REC 49.22MM 7  
POS 105C

TE Part # 2-2332966-4  
RECEPTACLE, TOOL-LESS  
ROTATABLE DIMMING

TE Part # CAT-ST833-L97  
Receptacle Assembly

TE Part # BB3399-000  
ALR-8090-VFS

TE Part # 607196-000  
ALR-AM-2-A

TE Part # 385640-000  
ALR-AM-1-A-NB

TE Part # 418220-000  
ALR-AM-2-A-NB

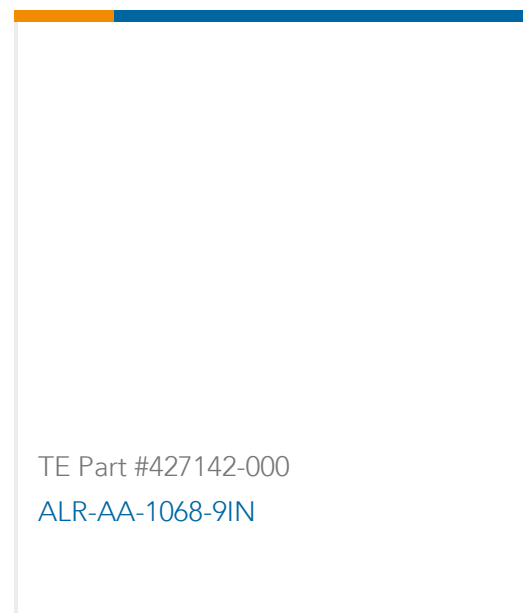
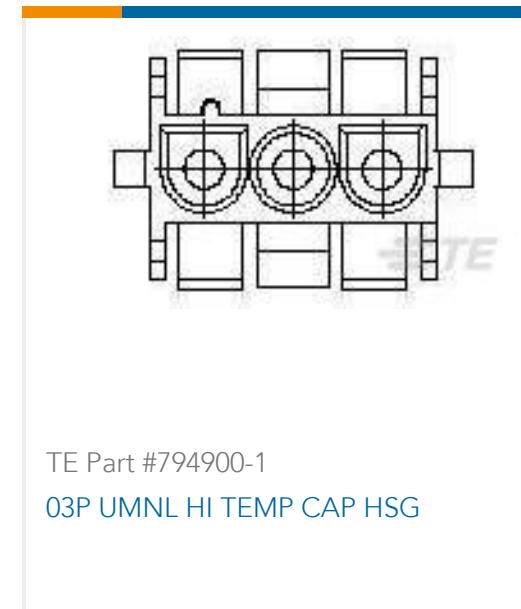
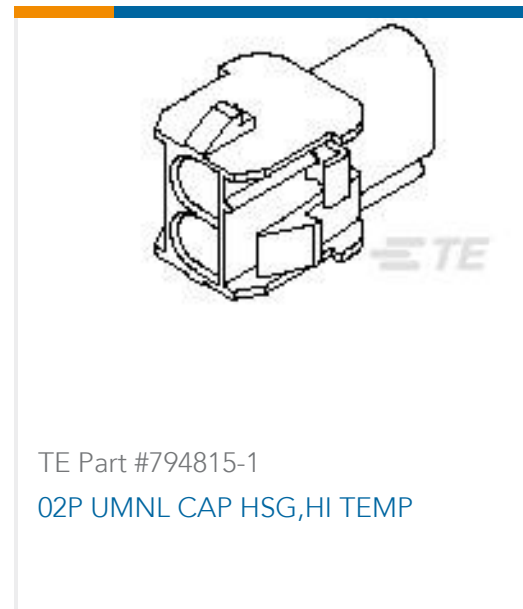
TE Part # 4Z9454-000  
ALR-7090-VFS

TE Part # L2134Z-000  
ALR-7090-VPS

TE Part # 2328118-1  
LUMAWISE ENDURANCE N  
SHORTING CAP

TE Part # 2361116-1  
LUMAWISE Endurance N+ Shorting  
Cap

### Customers Also Bought



## Documents

### CAD Files

3D PDF

3D

Customer View Model

[ENG\\_CVM\\_CVM\\_636452-000\\_O.2d\\_dxf.zip](#)

English

Customer View Model

[ENG\\_CVM\\_CVM\\_636452-000\\_O.3d\\_igs.zip](#)

English

Customer View Model

[ENG\\_CVM\\_CVM\\_636452-000\\_O.3d\\_stp.zip](#)

English

By downloading the CAD file I accept and agree to the [Terms and Conditions](#) of use.

### Datasheets & Catalog Pages

[M SERIES PHOTOCNTROL](#)

English