



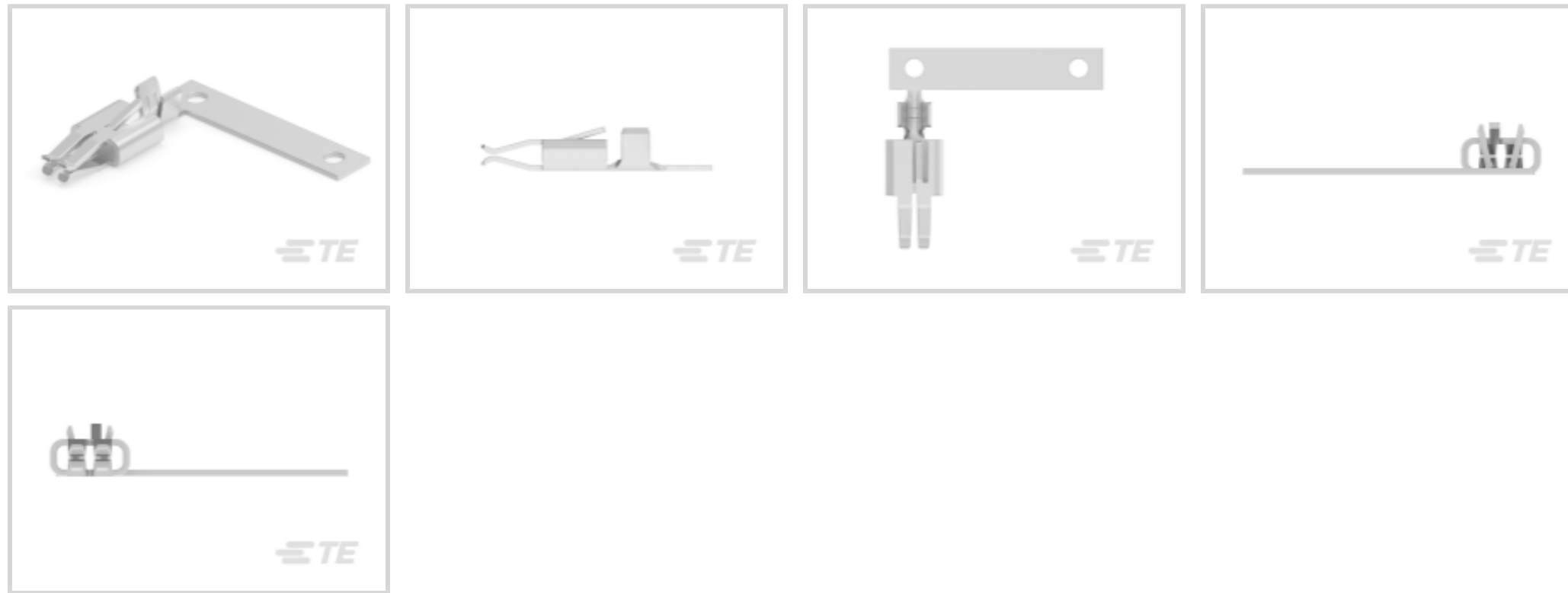
LUMAWISE

TE Internal #: 2058302-1

Socket Contact, Tin, Discrete Wire, 22 – 18 AWG Wire Size, .325 – .823 mm² Wire Size, 642 – 1624 CMA Wire Size, Crimp, Signal

[View on TE.com >](#)

Connectors > Contacts > Connector Contacts



Contact Type: **Socket**

Contact Mating Area Plating Material: **Tin**

Compatible With Wire & Cable Type: **Discrete Wire**

Wire Size: **.325 – .823 mm²**

Features

Configuration Features

Compatible With Wire & Cable Type	Discrete Wire
-----------------------------------	---------------

Contact Features

Mating Tab Width	3 mm[.118 in]
Mating Tab Thickness	.4 mm[.016 in]
Contact Mating Area Plating Material Finish	Matte
Contact Length	11.9 mm[.468 in]
Contact Type	Socket
Contact Mating Area Plating Material	Tin
Contact Current Rating (Max)	6 A

Termination Features

Termination Method to Wire & Cable	Crimp
Product Terminates To	Wire & Cable

Dimensions

Wire Size	642 – 1624 CMA
-----------	----------------

Usage Conditions



Operating Temperature Range	-40 – 105 °C[-40 – 221 °F]
-----------------------------	----------------------------

Operation/Application

Circuit Application	Signal
---------------------	--------

Packaging Features

Packaging Method	Strip
------------------	-------

Product Compliance

[For compliance documentation, visit the product page on TE.com>](#)

EU RoHS Directive 2011/65/EU	Compliant
EU ELV Directive 2000/53/EC	Compliant
China RoHS 2 Directive MIIT Order No 32, 2016	No Restricted Materials Above Threshold
EU REACH Regulation (EC) No. 1907/2006	Current ECHA Candidate List: JUNE 2024 (241) Candidate List Declared Against: JUNE 2024 (241) Does not contain REACH SVHC
Halogen Content	Low Halogen - Br, Cl, F, I < 900 ppm per homogenous material. Also BFR/CFR/PVC Free
Solder Process Capability	Not applicable for solder process capability

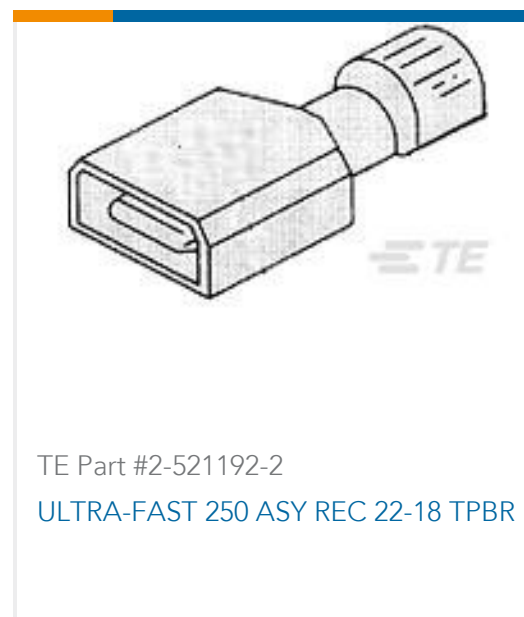
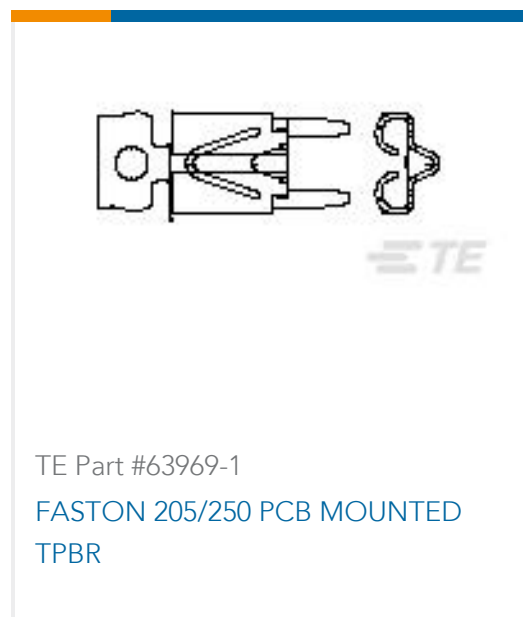
Product Compliance Disclaimer

This information is provided based on reasonable inquiry of our suppliers and represents our current actual knowledge based on the information they provided. This information is subject to change. The part numbers that TE has identified as EU RoHS compliant have a maximum concentration of 0.1% by weight in homogenous materials for lead, hexavalent chromium, mercury, PBB, PBDE, DBP, BBP, DEHP, DIBP, and 0.01% for cadmium, or qualify for an exemption to these limits as defined in the Annexes of Directive 2011/65/EU (RoHS2). Finished electrical and electronic equipment products will be CE marked as required by Directive 2011/65/EU. Components may not be CE marked. Additionally, the part numbers that TE has identified as EU ELV compliant have a maximum concentration of 0.1% by weight in homogenous materials for lead, hexavalent chromium, and mercury, and 0.01% for cadmium, or qualify for an exemption to these limits as defined in the Annexes of Directive 2000/53/EC (ELV). Regarding the REACH Regulation, the information TE provides on SVHC in articles for this part number is based on the latest European Chemicals Agency (ECHA) 'Guidance on requirements for substances in articles' posted at this URL: <https://echa.europa.eu/guidance-documents/guidance-on-reach>

Compatible Parts



Customers Also Bought





Documents

Product Drawings

Socket Contact

English

CAD Files

Customer View Model

[ENG_CVM_CVM_2058302-1_A.3d_stp.zip](#)

English

Customer View Model

[ENG_CVM_CVM_2058302-1_A.2d_dxf.zip](#)

English

Customer View Model

[ENG_CVM_CVM_2058302-1_A.3d_igs.zip](#)

English

3D PDF

3D

By downloading the CAD file I accept and agree to the [Terms and Conditions](#) of use.

Datasheets & Catalog Pages

[HERMAPHRODITIC_WIRE-TO-BOARD_AND_BOARD-TO-BOARD](#)

[HERMAPHRODITIC_WIRE-TO-BOARD_AND_BOARD-TO-BOARD](#)

English

Product Specifications

Application Specification

English