

Agastat

TE Internal #: 6-1423159-9

Time Delay Relays, Knob, 125VDC Input Voltage, 10A Contact Current Rating, On-Delay, 5 – 50 seconds Delay Time, Panel

[View on TE.com >](#)

Relays & Contactors > Relays > Time Delay Relays

Type of Control: **Knob**Input Voltage: **125 VDC**Contact Current Rating: **10 A**Mode of Operation: **On-Delay**Delay Time: **5 – 50 seconds**

Features

Configuration Features

Relay Options	Hardware and Adjustment for Horizontal Operation
Contact Arrangement	2 Form C, DPDT, 2 C/O

Electrical Characteristics

Input Voltage	125 VDC
Contact Current Rating	10 A

Termination Features

Relay Connection Type	Terminals
Terminal Configuration	Screw Terminals

Mechanical Attachment

Product Mounting Feature Type	Flange with Mounting Holes
Product Mount Type	Panel

Dimensions

Product Width	65.2 mm[2.57 in]
Product Length	71.88 mm[2.83 in]
Product Height	126.74 mm[4.99 in]

Usage Conditions

Operating Temperature Range	-30 – 75 °C
-----------------------------	-------------



Operation/Application

Repeatability (Max)	±5%
Actuating System	DC
Type of Control	Knob
Mode of Operation	On-Delay
Delay Time	5 – 50 seconds

Product Compliance

[For compliance documentation, visit the product page on TE.com>](#)

EU RoHS Directive 2011/65/EU	Not Compliant
EU ELV Directive 2000/53/EC	Not Compliant
China RoHS 2 Directive MIIT Order No 32, 2016	Restricted Materials Above Threshold
EU REACH Regulation (EC) No. 1907/2006	Current ECHA Candidate List: JUNE 2024 (241) Candidate List Declared Against: JAN 2024 (240) Does not contain REACH SVHC
Halogen Content	Low Halogen - Br, Cl, F, I < 900 ppm per homogenous material. Also BFR/CFR/PVC Free
Solder Process Capability	Not applicable for solder process capability

Product Compliance Disclaimer

This information is provided based on reasonable inquiry of our suppliers and represents our current actual knowledge based on the information they provided. This information is subject to change. The part numbers that TE has identified as EU RoHS compliant have a maximum concentration of 0.1% by weight in homogenous materials for lead, hexavalent chromium, mercury, PBB, PBDE, DBP, BBP, DEHP, DIBP, and 0.01% for cadmium, or qualify for an exemption to these limits as defined in the Annexes of Directive 2011/65/EU (RoHS2). Finished electrical and electronic equipment products will be CE marked as required by Directive 2011/65/EU. Components may not be CE marked. Additionally, the part numbers that TE has identified as EU ELV compliant have a maximum concentration of 0.1% by weight in homogenous materials for lead, hexavalent chromium, and mercury, and 0.01% for cadmium, or qualify for an exemption to these limits as defined in the Annexes of Directive 2000/53/EC (ELV). Regarding the REACH Regulations, TE's information on SVHC in articles for this part number is still based on the European Chemical Agency (ECHA) 'Guidance on requirements for substances in articles' (Version: 2, April 2011), applying the 0.1% weight on weight concentration threshold at the finished product level. TE is aware of the European Court of Justice ruling of September 10th, 2015 also known as O5A (Once An Article Always An Article) stating that, in case of 'complex object', the threshold for a SVHC must be applied to both the product as a whole and simultaneously to each of the articles forming part of its composition. TE has evaluated this ruling based on the new ECHA "Guidance on requirements for substances in articles" (June 2017, version 4.0) and will be updating its statements accordingly.

Compatible Parts

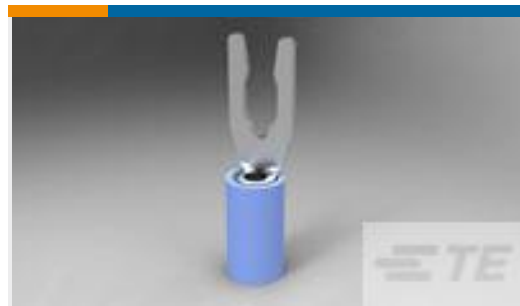


TE Part # 2-1423157-4
7012AK=RLY,STD,ON,2P,120VAC,30

Customers Also Bought



TE Part #66597-8
Strip Pin and Socket Contacts, Type III



TE Part #52420-3
TERMINAL,PIDG SPR SPD 16-14 6



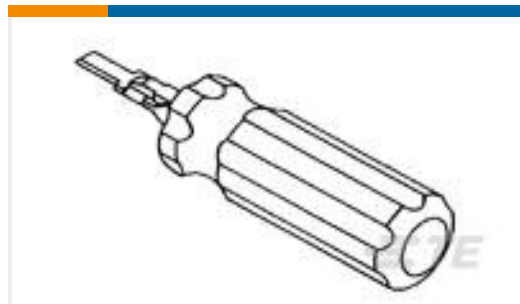
TE Part #207019-1
METRIMATE PLUG,36 POS



TE Part #205042-1
12 PC. BLOCK



TE Part #1423159-3
7012NC=RLY,STD,ON,2P,48VDC,15



TE Part #91019-3
EXTRACTION TOOL



TE Part #224155-1
EXTR TL, HIGH CURRENT TYPE XII



TE Part #1SNA215116R1300
D4/6