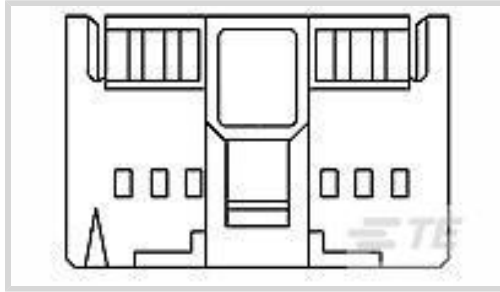




Connectors > Connector Accessories > Connector Caps & Covers



Connector Cover Type: **Coupling Shroud**

Primary Product Color: **Black**

Primary Product Material: **Thermoplastic**

Number of Positions: **10**

Operating Temperature (Max): **105 °C [221 °F]**

Features

Product Type Features

Connector Cover Type	Coupling Shroud
----------------------	-----------------

Configuration Features

Number of Rows	2
Number of Positions	10

Body Features

Primary Product Color	Black
Primary Product Material	Thermoplastic

Mechanical Attachment

Mating Alignment Type	Latched
Mating Alignment	With

Dimensions

Product Width	18.67 mm [.735 in]
Product Length	17.4 mm [.68 in]
Product Height	11.76 mm [.46 in]

Usage Conditions

Operating Temperature (Max)	105 °C [221 °F]
Operating Temperature Range	-65 – 105 °C [-85 – 221 °F]

Industry Standards



UL Flammability Rating	UL 94V-0
------------------------	----------

Packaging Features

Packaging Method	Package
------------------	---------

Product Compliance

[For compliance documentation, visit the product page on TE.com>](#)

EU RoHS Directive 2011/65/EU	Compliant
EU ELV Directive 2000/53/EC	Compliant
China RoHS 2 Directive MIIT Order No 32, 2016	No Restricted Materials Above Threshold
EU REACH Regulation (EC) No. 1907/2006	Current ECHA Candidate List: JUNE 2024 (241) Candidate List Declared Against: JUNE 2024 (241) Does not contain REACH SVHC
Halogen Content	BFR/CFR/PVC Free, but Br/Cl >900 ppm in other sources.
Solder Process Capability	Not applicable for solder process capability

Product Compliance Disclaimer

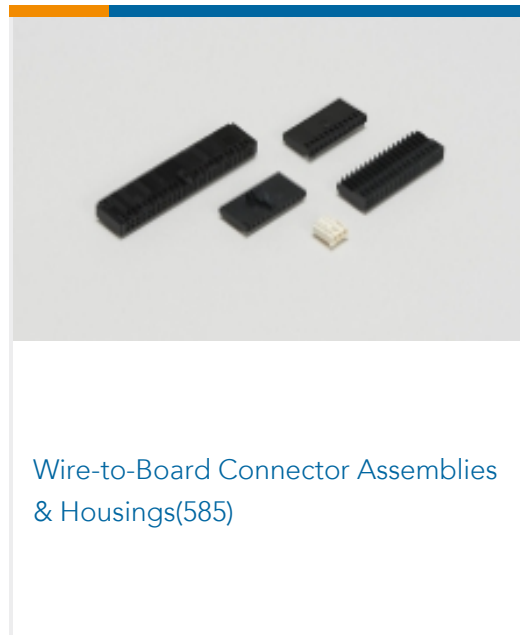
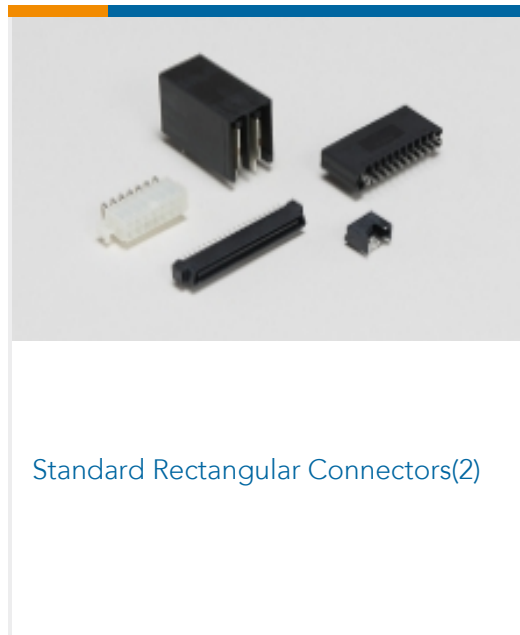
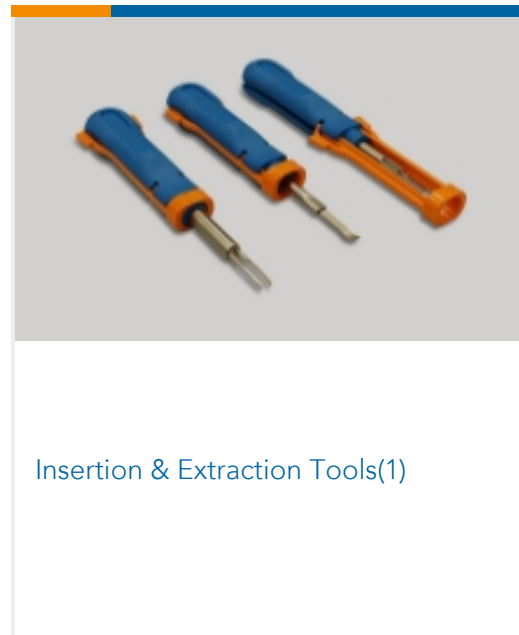
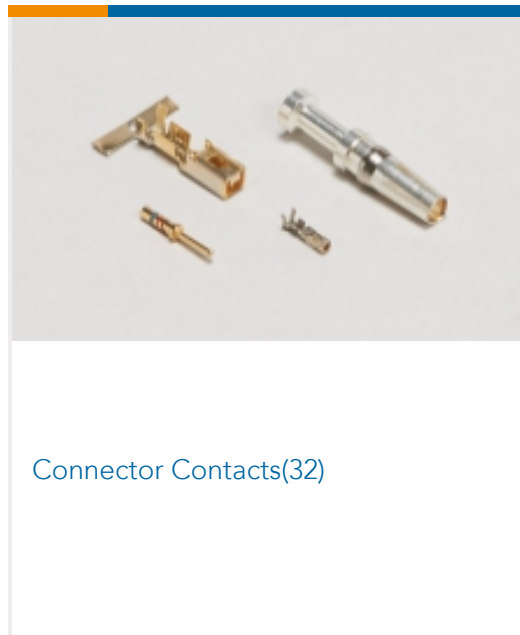
This information is provided based on reasonable inquiry of our suppliers and represents our current actual knowledge based on the information they provided. This information is subject to change. The part numbers that TE has identified as EU RoHS compliant have a maximum concentration of 0.1% by weight in homogenous materials for lead, hexavalent chromium, mercury, PBB, PBDE, DBP, BBP, DEHP, DIBP, and 0.01% for cadmium, or qualify for an exemption to these limits as defined in the Annexes of Directive 2011/65/EU (RoHS2). Finished electrical and electronic equipment products will be CE marked as required by Directive 2011/65/EU. Components may not be CE marked. Additionally, the part numbers that TE has identified as EU ELV compliant have a maximum concentration of 0.1% by weight in homogenous materials for lead, hexavalent chromium, and mercury, and 0.01% for cadmium, or qualify for an exemption to these limits as defined in the Annexes of Directive 2000/53/EC (ELV). Regarding the REACH Regulation, the information TE provides on SVHC in articles for this part number is based on the latest European Chemicals Agency (ECHA) 'Guidance on requirements for substances in articles' posted at this URL: <https://echa.europa.eu/guidance-documents/guidance-on-reach>

Compatible Parts

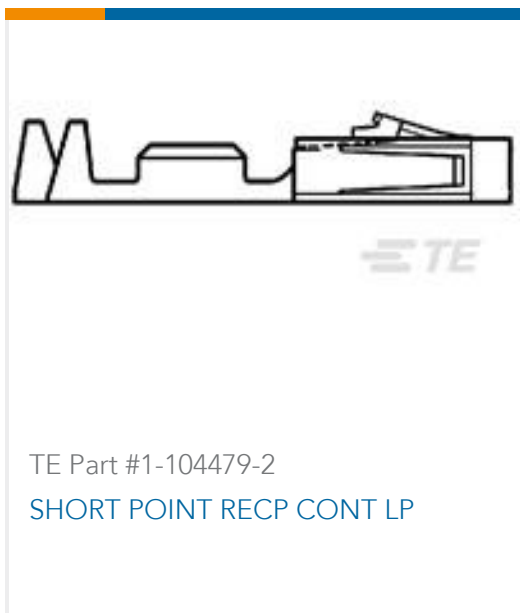
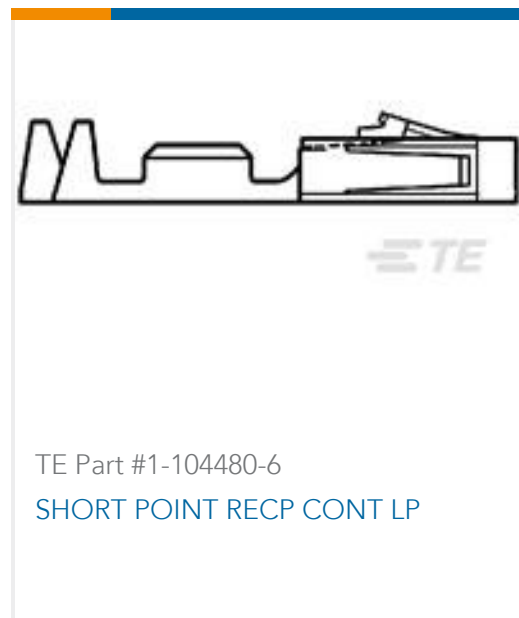
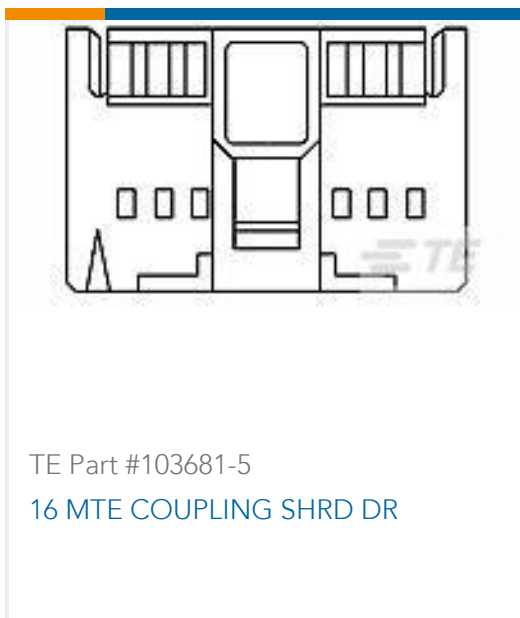
 <p>TE Part # 5-103969-1 10X2 MTE RCPT SR RIBBED .100CL</p>	 <p>TE Part # 5-103969-3 5X4 MTE RCPT SR RIBBED .100CL</p>	 <p>TE Part # 5-103969-4 4X5 MTE RCPT SR RIBBED .100CL</p>	 <p>TE Part # 5-103969-2 8X3 MTE RCPT SR RIBBED .100CL</p>
--	---	---	---



Also in the Series | AMPMODU MTE



Customers Also Bought





Documents

Product Drawings

[10 MTE COUPLING SHRD DR](#)

English

CAD Files

Customer View Model

[ENG_CVM_CVM_103681-2_P.2d_dxf.zip](#)

English

3D PDF

3D

Customer View Model

[ENG_CVM_CVM_103681-2_P.3d_igs.zip](#)

English

Customer View Model

[ENG_CVM_CVM_103681-2_P.3d_stp.zip](#)

English

By downloading the CAD file I accept and agree to the [Terms and Conditions](#) of use.

Datasheets & Catalog Pages

[AMPMODU_INTERCONNECTION_SYSTEM_SECTION5_CONT](#)

English

[AMPMODU MTE INTERCONNECT SYSTEM](#)

English

Product Specifications

[Application Specification](#)

English

Instruction Sheets

[Instruction Sheet \(U.S.\)](#)

English