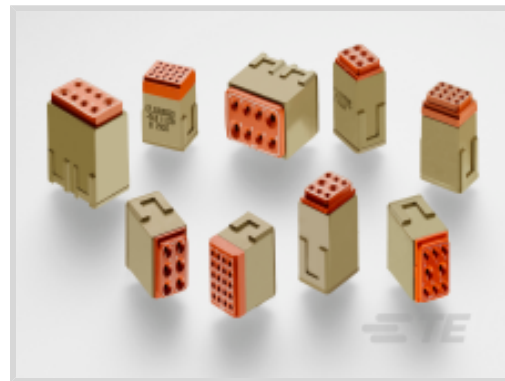




Connectors > Terminal Junction Modules & Accessories > Terminal Junction Modules



Terminal Junction System Component Type: **Bussing Module**

Compatible With Contact Size: **12, 16**

Operating Temperature Range: **-65 – 200 °C**

Features

Product Type Features

Terminal Junction System Component Type	Bussing Module
---	----------------

Body Features

Connector Seal Material	Elastomer
-------------------------	-----------

Contact Features

Compatible With Contact Size	12, 16
------------------------------	--------

Usage Conditions

Operating Temperature Range	-65 – 200 °C
-----------------------------	--------------

Product Compliance

[For compliance documentation, visit the product page on TE.com>](#)

EU RoHS Directive 2011/65/EU	Compliant with Exemptions
EU ELV Directive 2000/53/EC	Compliant with Exemptions
China RoHS 2 Directive MIIT Order No 32, 2016	Restricted Materials Above Threshold
EU REACH Regulation (EC) No. 1907/2006	Current ECHA Candidate List: JUNE 2024 (241) Candidate List Declared Against: JUNE 2022 (224) Does not contain REACH SVHC
Halogen Content	Not Yet Reviewed for halogen content
Solder Process Capability	Not reviewed for solder process capability

Product Compliance Disclaimer

This information is provided based on reasonable inquiry of our suppliers and represents our current actual knowledge based on the information they provided. This information is subject to change. The part numbers that TE has identified as EU RoHS compliant have a maximum concentration of 0.1% by weight in homogenous materials for lead, hexavalent chromium, mercury, PBB, PBDE, DBP, BBP, DEHP, DIBP, and 0.01% for cadmium, or qualify for an exemption to these limits as defined in the Annexes of Directive 2011/65/EU (RoHS2). Finished electrical and electronic equipment products will be CE marked as required by Directive 2011/65/EU. Components may not be CE marked. Additionally, the part numbers that TE has identified as EU ELV compliant have a maximum concentration of 0.1% by weight in homogenous materials for lead, hexavalent chromium, and mercury, and 0.01% for cadmium, or qualify for an exemption to these limits as defined in the Annexes of Directive 2000/53/EC (ELV). Regarding the REACH Regulation, the information TE provides on SVHC in articles for this part number is based on the latest European Chemicals Agency (ECHA) 'Guidance on requirements for substances in articles' posted at this URL: <https://echa.europa.eu/guidance-documents/guidance-on-reach>

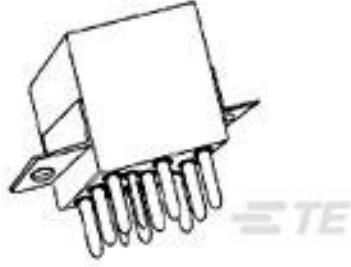
Customers Also Bought



TE Part #1SNG626177R0000
EP-SGL-PG29-BL-B



TE Part #11109348-00
15 PSI, 1/4MNPT, 0-5V (3-WIRE),
Cable, 2



TE Part #4-1617753-5
FCA-325-BY2

TE Part #YABC06N-17P0000000
IN-LINE RECP

TE Part #YABC06N-17S0000000
IN-LINE RECP



TE Part #YDTS26T17-35SNV001
PLUG ASSY

TE Part #72508-23-35SA
HERM RECP

TE Part #YCTD126E01AC015---
MODULE ASSY

TE Part #911259-000
234A011-25-00-0



TE Part #NB31194001
RW-175-3/4-X-SP

Documents

Product Drawings

MODULE ASSY

English

CAD Files

3D PDF

3D



Customer View Model

[ENG_CVM_CVM_CTD126E01A-513_99.2d_dxf.zip](#)

English

Customer View Model

[ENG_CVM_CVM_CTD126E01A-513_99.3d_igs.zip](#)

English

Customer View Model

[ENG_CVM_CVM_CTD126E01A-513_99.3d_stp.zip](#)

English

By downloading the CAD file I accept and agree to the [Terms and Conditions](#) of use.