



Wire & Cable > High Speed Digital & Data Cable



Cable Type: **Cheminax**

Impedance: 77 Ω

Wire Size: **24 AWG**

Operating Temperature Range: -65 – 200 °C [-85 – 392 °F]

Features

Product Type Features

Cable Style	Twisted Pair
-------------	--------------

Electrical Characteristics

	30 pF/ft
Impedance	77 Ω

Body Features

Cable Color	White
Shield Plating Material	Tin
Shield Material	Copper
Jacket Material	Radiation-Crosslinked, Modified ETFE
Conductor Material	Silver-Plated High Strength Copper

Dimensions

Cable Dielectric Diameter	1.22 mm[.048 in]
Outside Cable Diameter	3.71 mm[.146 in]
Conductor Diameter Range	.64 mm[.025 in]
Wire Size	24 AWG

Usage Conditions

Cable Type	Cheminax
Operating Temperature Range	-65 – 200 °C[-85 – 392 °F]



Product Compliance

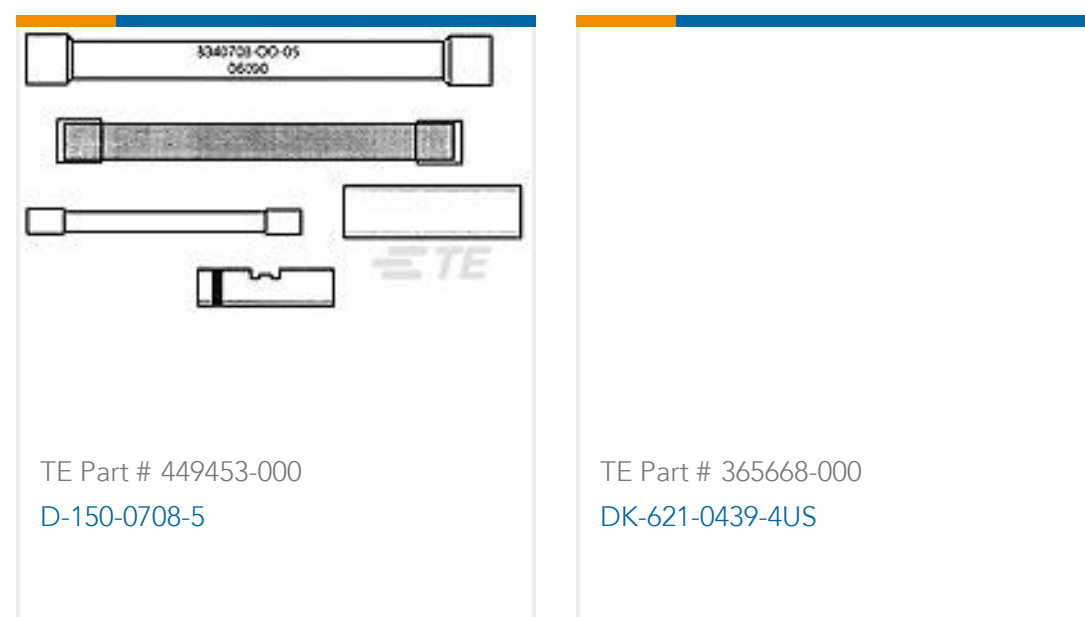
[For compliance documentation, visit the product page on TE.com>](#)

EU RoHS Directive 2011/65/EU	Compliant
EU ELV Directive 2000/53/EC	Compliant
China RoHS 2 Directive MIIT Order No 32, 2016	No Restricted Materials Above Threshold
EU REACH Regulation (EC) No. 1907/2006	Current ECHA Candidate List: JUNE 2024 (241) Candidate List Declared Against: JAN 2024 (240) Does not contain REACH SVHC
Halogen Content	Low Bromine/Chlorine - Br and Cl < 900 ppm per homogenous material. Also BFR /CFR/PVC Free
Solder Process Capability	Not applicable for solder process capability

Product Compliance Disclaimer

This information is provided based on reasonable inquiry of our suppliers and represents our current actual knowledge based on the information they provided. This information is subject to change. The part numbers that TE has identified as EU RoHS compliant have a maximum concentration of 0.1% by weight in homogenous materials for lead, hexavalent chromium, mercury, PBB, PBDE, DBP, BBP, DEHP, DIBP, and 0.01% for cadmium, or qualify for an exemption to these limits as defined in the Annexes of Directive 2011/65/EU (RoHS2). Finished electrical and electronic equipment products will be CE marked as required by Directive 2011/65/EU. Components may not be CE marked. Additionally, the part numbers that TE has identified as EU ELV compliant have a maximum concentration of 0.1% by weight in homogenous materials for lead, hexavalent chromium, and mercury, and 0.01% for cadmium, or qualify for an exemption to these limits as defined in the Annexes of Directive 2000/53/EC (ELV). Regarding the REACH Regulation, the information TE provides on SVHC in articles for this part number is based on the latest European Chemicals Agency (ECHA) 'Guidance on requirements for substances in articles' posted at this URL: <https://echa.europa.eu/guidance-documents/guidance-on-reach>

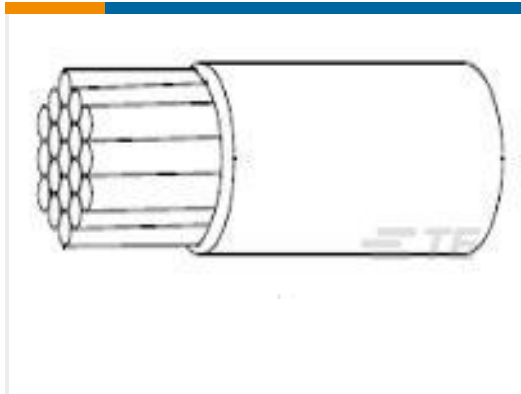
Compatible Parts



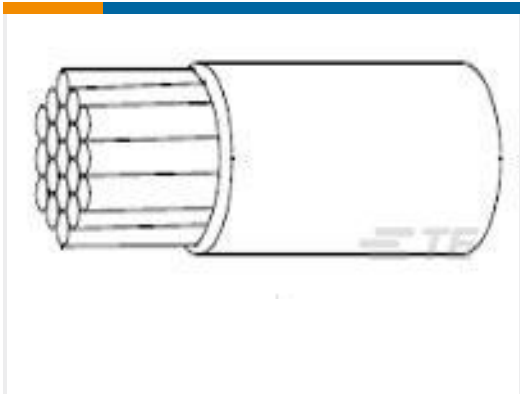
Customers Also Bought



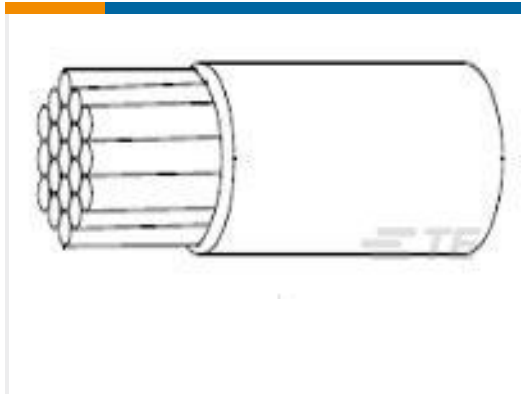
TE Part #096673-000
Low Profile Heat Shrink Boots: Poly Molded, Lipped, Straight



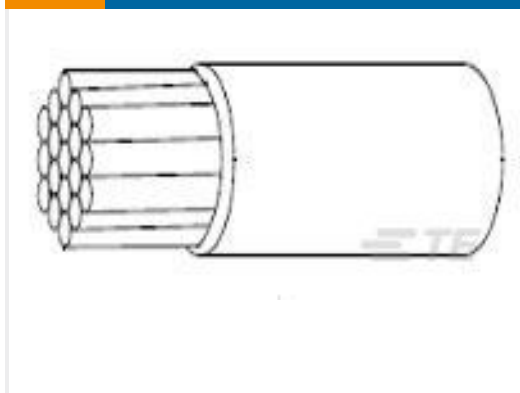
TE Part #216271-002
22759/32-24-9



TE Part #216367-001
22759/33-22-9



TE Part #216368-001
22759/33-26-9



TE Part #792962-000
22759/33-30-0



TE Part #050307-000
55A1122-22-9/96-9CS2275



TE Part #500135-000
55A6051-24-9/96-9CS2275



TE Part #ZPF000000000036945
983-6SE 14-04 SN-L

Documents

Product Drawings

10613-24-9

English

Product Specifications

Product Specification

English