



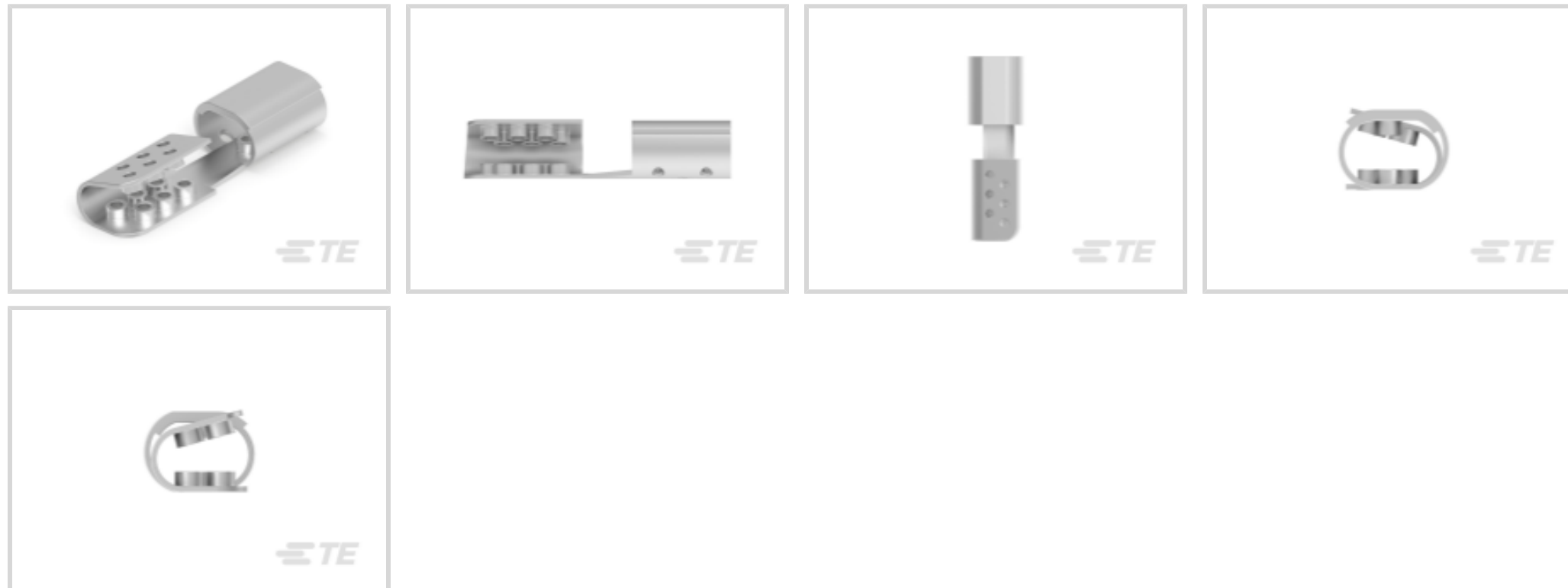
**TERMI-FOIL**

TE Internal #: 1-332006-0

Foil Terminals, Tin Plating, Box, 150 °C [302 °F], TERMI-FOIL

[View on TE.com >](#)

Terminals & Splices > Foil Terminals



Accepts Foil Thickness (Max): **.4 mm [ .016 in ]**

Terminal Plating Material: **Tin**

Packaging Method: **Box**

Operating Temperature Range: **150 °C [ 302 °F ]**

**Features**

**Contact Features**

Terminal Plating Material	Tin
---------------------------	-----

**Termination Features**

Accepts Foil Thickness (Max)	.4 mm [.016 in]
------------------------------	-----------------

**Usage Conditions**

Insulation Option	Uninsulated
Operating Temperature Range	150 °C [302 °F]

**Packaging Features**

Packaging Quantity	500
Packaging Method	Box

**Product Compliance**

[For compliance documentation, visit the product page on TE.com>](#)

EU RoHS Directive 2011/65/EU	Compliant
EU ELV Directive 2000/53/EC	Compliant
China RoHS 2 Directive MIIT Order No 32, 2016	No Restricted Materials Above Threshold

EU REACH Regulation (EC) No. 1907/2006



Current ECHA Candidate List: JUNE 2024 (241)  
 Candidate List Declared Against: JUNE 2024 (241)  
 Does not contain REACH SVHC

Halogen Content Low Halogen - Br, Cl, F, I < 900 ppm per homogenous material. Also BFR/CFR/PVC Free

Solder Process Capability Not applicable for solder process capability

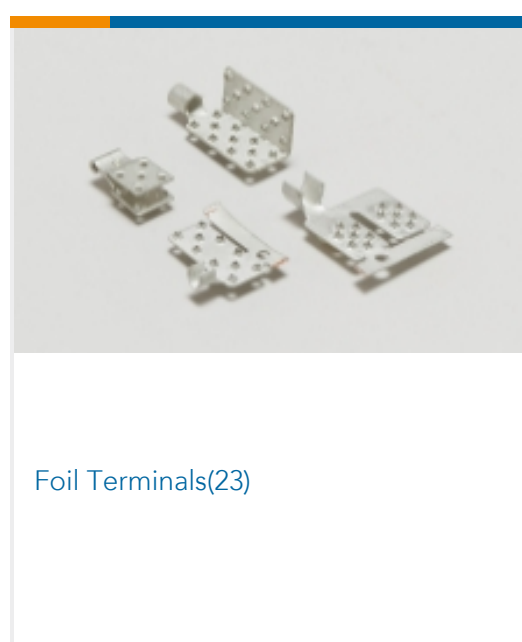
Product Compliance Disclaimer

This information is provided based on reasonable inquiry of our suppliers and represents our current actual knowledge based on the information they provided. This information is subject to change. The part numbers that TE has identified as EU RoHS compliant have a maximum concentration of 0.1% by weight in homogenous materials for lead, hexavalent chromium, mercury, PBB, PBDE, DBP, BBP, DEHP, DIBP, and 0.01% for cadmium, or qualify for an exemption to these limits as defined in the Annexes of Directive 2011/65/EU (RoHS2). Finished electrical and electronic equipment products will be CE marked as required by Directive 2011/65/EU. Components may not be CE marked. Additionally, the part numbers that TE has identified as EU ELV compliant have a maximum concentration of 0.1% by weight in homogenous materials for lead, hexavalent chromium, and mercury, and 0.01% for cadmium, or qualify for an exemption to these limits as defined in the Annexes of Directive 2000/53/EC (ELV). Regarding the REACH Regulation, the information TE provides on SVHC in articles for this part number is based on the latest European Chemicals Agency (ECHA) 'Guidance on requirements for substances in articles' posted at this URL: <https://echa.europa.eu/guidance-documents/guidance-on-reach>

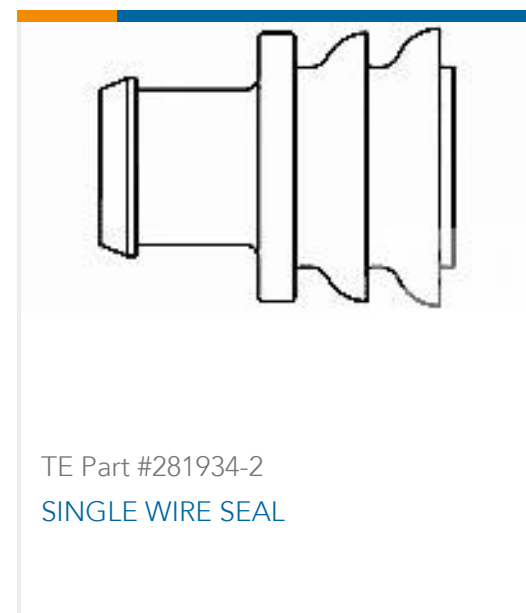
### Compatible Parts



### Also in the Series | TERMI-FOIL



### Customers Also Bought



## Documents

### Product Drawings

[SPLICE,TERMI-FOIL BOND CLIP](#)

English

### CAD Files

Customer View Model

[ENG\\_CVM\\_1-332006-0\\_C.3d\\_igs.zip](#)

English

Customer View Model

[ENG\\_CVM\\_1-332006-0\\_C.3d\\_stp.zip](#)

English

Customer View Model

[ENG\\_CVM\\_1-332006-0\\_C.2d\\_dxf.zip](#)

English

[3D PDF](#)

English

[3D PDF](#)

3D

Customer View Model

[ENG\\_CVM\\_CVM\\_1-332006-0\\_H.2d\\_dxf.zip](#)

English

Customer View Model

[ENG\\_CVM\\_CVM\\_1-332006-0\\_H.3d\\_igs.zip](#)

English

Customer View Model

[ENG\\_CVM\\_CVM\\_1-332006-0\\_H.3d\\_stp.zip](#)

English



By downloading the CAD file I accept and agree to the [Terms and Conditions](#) of use.

## Datasheets & Catalog Pages

[RADIATION\\_RESISTANT\\_PRE-INSULATED\\_TERMINALS\\_SPLICES](#)

English