



Sensors > Piezo Film Sensors



Piezo Film Sensor Type: **Element**

Sensor Options: **Strips**

### Features

#### Product Type Features

Piezo Film Sensor Type	Element
------------------------	---------

#### Other

Sensor Options	Strips
----------------	--------

### Product Compliance

[For compliance documentation, visit the product page on TE.com>](#)

EU RoHS Directive 2011/65/EU	Compliant
EU ELV Directive 2000/53/EC	Compliant
China RoHS 2 Directive MIIT Order No 32, 2016	No Restricted Materials Above Threshold
EU REACH Regulation (EC) No. 1907/2006	Current ECHA Candidate List: JUNE 2024 (241) Candidate List Declared Against: JAN 2024 (240) Does not contain REACH SVHC
Halogen Content	BFR/CFR/PVC Free, but Br/Cl >900 ppm in other sources.
Solder Process Capability	Not reviewed for solder process capability

#### Product Compliance Disclaimer

This information is provided based on reasonable inquiry of our suppliers and represents our current actual knowledge based on the information they provided. This information is subject to change. The part numbers that TE has identified as EU RoHS compliant have a maximum concentration of 0.1% by weight in homogenous materials for lead, hexavalent chromium, mercury, PBB, PBDE, DBP, BBP, DEHP, DIBP, and 0.01% for cadmium, or qualify for an exemption to these limits as defined in the Annexes of Directive 2011/65/EU (RoHS2). Finished electrical and electronic equipment products will be CE marked as required by Directive 2011/65/EU. Components may not be CE marked. Additionally, the part numbers that TE has identified as EU ELV compliant have a maximum concentration of 0.1% by weight in homogenous materials for lead, hexavalent chromium, and mercury, and 0.01% for cadmium, or qualify for an exemption to these limits as defined in the Annexes of Directive 2000/53/EC (ELV). Regarding the REACH Regulation, the information TE provides

on SVHC in articles for this part number is based on the latest European Chemicals Agency (ECHA) 'Guidance on requirements for substances in articles' posted at this URL: <https://echa.europa.eu/guidance-documents/guidance-on-reach>

### Compatible Parts



TE Part # 1005939-1  
LDTC - Horizontal

### Customers Also Bought



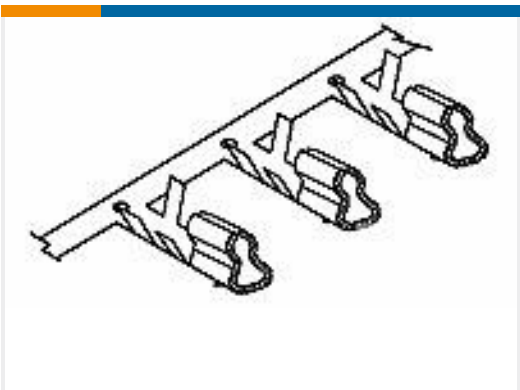
TE Part #NB-PTCO-154  
Pt1000, 2.0x2.3, Class T, PTFC102T1G0



TE Part #1658611-4  
09 POS HDF PLUG, AP, LEAD FREE



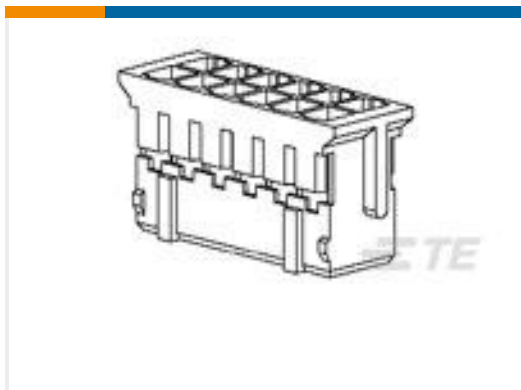
TE Part #917688-1  
SIGNAL DOUBLE LOCK PLUG HSG 4P NATURAL



TE Part #1470106-1  
2.0mm Pitch Crimp Contact



TE Part #1-1123722-5  
3.96 EP PLUG HSG 5P(NATURAL)



TE Part #1-1470107-6  
2.0MM PITCH CRIMP HOUSING 16P



TE Part #10217784-00  
ABD,AD-101, COMPACT ASSY, 4MM



TE Part #5-103957-7  
2X8 MTE RCPT SR LATCH .100CL



TE Part #20019999-00  
PT100 TEMPERATURE SENSOR



TE Part #86-100G-U  
NISO,LP,GAGE,LEADS

### Documents

**Product Drawings**  
Sleep Tracking Sensor  
English



**CAD Files**

**3D PDF**

3D

Customer View Model

[ENG\\_CVM\\_CVM\\_10184000-01\\_A0.2d\\_dxf.zip](#)

English

Customer View Model

[ENG\\_CVM\\_CVM\\_10184000-01\\_A0.3d\\_igs.zip](#)

English

Customer View Model

[ENG\\_CVM\\_CVM\\_10184000-01\\_A0.3d\\_stp.zip](#)

English

By downloading the CAD file I accept and agree to the [Terms and Conditions](#) of use.

**Datasheets & Catalog Pages**

**SLEEP MONITOR STRIP**

English

**Product Specifications**

**Manuals & User Guides**

English