

2-830611-1 ✓ ACTIVE

LGH

TE Internal #: 2-830611-1

Circular Power Connectors, Lead Assembly, 10000 VDC, 16 AWG

Wire Size, Wire-to-Wire, Wire & Cable, Socket, -55 – 125 °C [-67 – 257 °F]

[View on TE.com >](#)



Connectors > Power Connectors > Circular Power > Circular Power Connectors



Connector Product Type: **Lead Assembly**

Operating Voltage: **10000 VDC**

Wire Size: **16 AWG**

Connector System: **Wire-to-Wire**

Sealable: **No**

Features

Product Type Features

Connector Product Type	Lead Assembly
Connector System	Wire-to-Wire
Sealable	No
Connector & Contact Terminates To	Wire & Cable

Electrical Characteristics

Operating Voltage	10000 VDC
-------------------	-----------

Body Features

Positive Stop Ferrule	Without
-----------------------	---------

Contact Features

Contact Type	Socket
--------------	--------

Termination Features

Termination Method to Wire & Cable	Pre-Terminated to Cable
------------------------------------	-------------------------

Dimensions

Wire Size	16 AWG
Assembly Length	152.4 mm[6 in]

Usage Conditions

Operating Temperature Range	-55 – 125 °C[-67 – 257 °F]
-----------------------------	----------------------------



Operation/Application

Shielded	No
----------	----

Packaging Features

Packaging Quantity	20
Packaging Method	Package

Product Compliance

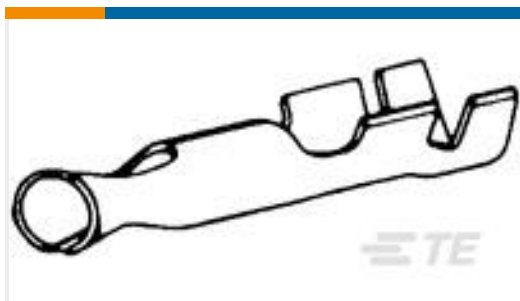
[For compliance documentation, visit the product page on TE.com>](#)

EU RoHS Directive 2011/65/EU	Compliant with Exemptions
EU ELV Directive 2000/53/EC	Compliant with Exemptions
China RoHS 2 Directive MIIT Order No 32, 2016	Restricted Materials Above Threshold
EU REACH Regulation (EC) No. 1907/2006	Current ECHA Candidate List: JUNE 2024 (241) Candidate List Declared Against: JUNE 2023 (235) SVHC > Threshold: Pb (4% in Contact/Component) Article Safe Usage Statements: Do not eat, drink or smoke when using this product. Wash thoroughly after handling. Recycle if possible and dispose of the article by following all applicable governmental regulations relevant to your geographic location.
Halogen Content	Not Yet Reviewed for halogen content
Solder Process Capability	Not applicable for solder process capability

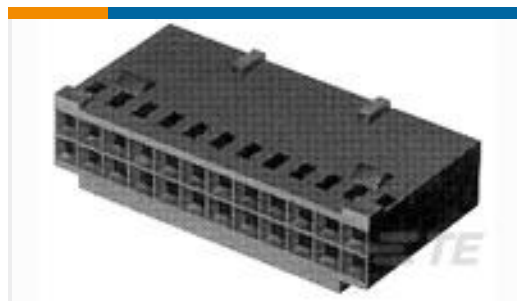
Product Compliance Disclaimer

This information is provided based on reasonable inquiry of our suppliers and represents our current actual knowledge based on the information they provided. This information is subject to change. The part numbers that TE has identified as EU RoHS compliant have a maximum concentration of 0.1% by weight in homogenous materials for lead, hexavalent chromium, mercury, PBB, PBDE, DBP, BBP, DEHP, DIBP, and 0.01% for cadmium, or qualify for an exemption to these limits as defined in the Annexes of Directive 2011/65/EU (RoHS2). Finished electrical and electronic equipment products will be CE marked as required by Directive 2011/65/EU. Components may not be CE marked. Additionally, the part numbers that TE has identified as EU ELV compliant have a maximum concentration of 0.1% by weight in homogenous materials for lead, hexavalent chromium, and mercury, and 0.01% for cadmium, or qualify for an exemption to these limits as defined in the Annexes of Directive 2000/53/EC (ELV). Regarding the REACH Regulation, the information TE provides on SVHC in articles for this part number is based on the latest European Chemicals Agency (ECHA) 'Guidance on requirements for substances in articles' posted at this URL: <https://echa.europa.eu/guidance-documents/guidance-on-reach>

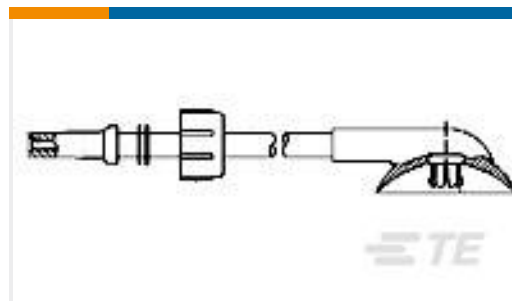
Customers Also Bought



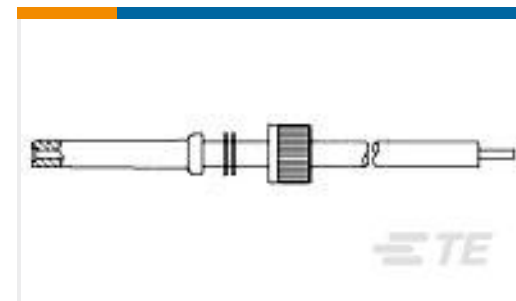
TE Part #42428-5
PIN TERMINAL RECEPTACLE 24-20
AWG TPPHBZ



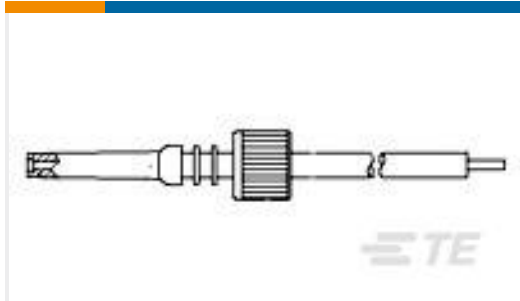
TE Part #1-87631-9
24 MODIV HSG COMP DR .100 POL



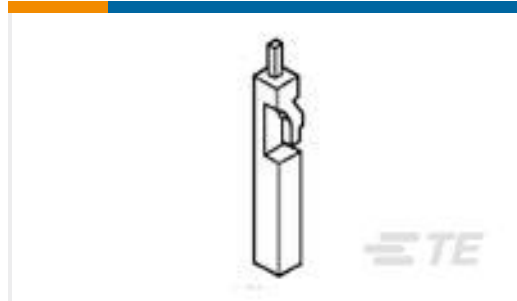
TE Part #1-848588-3
LGH 1 MLD END LEAD



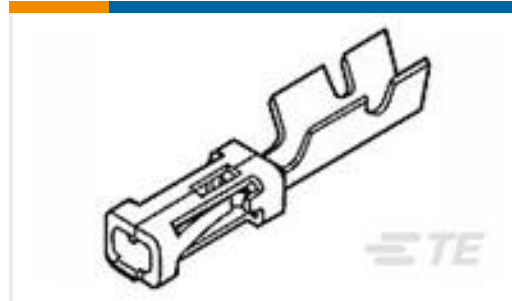
TE Part #1-863705-0
LGH-1L LEAD SGL MOLDED END



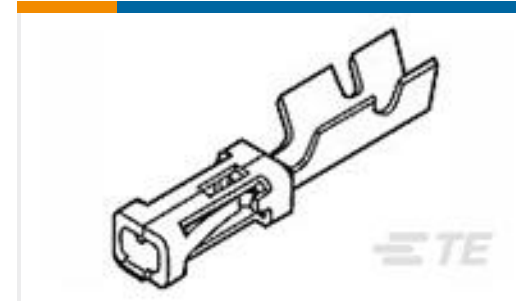
TE Part #867961-2
LGH 1/2 SGL END LEAD ASY



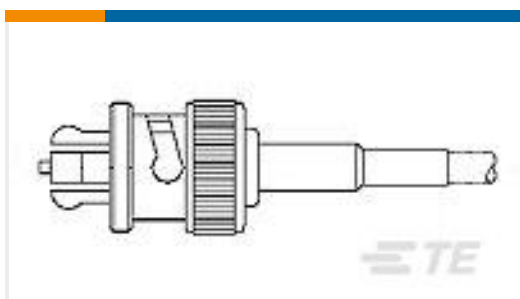
TE Part #87077-1
MOD IV KEYING PLUG



TE Part #1-87313-4
MOD V RECP LP



TE Part #86015-2
MOD IV RECP LP



TE Part #51426-5
SAFE HIGH VOLTAGE PLUG



TE Part #1-87483-5
06 MODIV HSG COMP DR .100 EARS

Documents

Product Drawings

[LGH 1/2 ELECT MLD END LEAD](#)

English

CAD Files

[3D PDF](#)

3D

Customer View Model

[ENG_CVM_CVM_2-830611-1_AH.2d_dxf.zip](#)

English

Customer View Model

[ENG_CVM_CVM_2-830611-1_AH.3d_igs.zip](#)

English

Customer View Model

[ENG_CVM_CVM_2-830611-1_AH.3d_stp.zip](#)

English

By downloading the CAD file I accept and agree to the [Terms and Conditions](#) of use.

Product Specifications



Product Specification

English