

306350-2 ✓ ACTIVE

AMPACT

TE Internal #: 306350-2

Power Connector Tools, Americas, Power Connector Tool Weight .

78 kg, ≤ 500 kV

[View on TE.com >](#)



Energy & Power > Power Systems Connectors > Power Connector Tools



Power Connector Tool Product Availability: **Americas**

Power Connector Tool Weight: **.78 kg**

Power Connector Tool Voltage Class: **≤ 500 kV**

Features

Electrical Characteristics

Power Connector Tool Voltage Class	≤ 500 kV
------------------------------------	----------

Body Features

Power Connector Tool Weight	.78 kg
-----------------------------	--------

Product Availability

Minimum Order Quantity	1
Power Connector Tool Product Availability	Americas

Packaging Features

Minimum Packaging Unit	1
------------------------	---

Product Compliance

[For compliance documentation, visit the product page on TE.com>](#)

EU RoHS Directive 2011/65/EU	Compliant
EU ELV Directive 2000/53/EC	Compliant
China RoHS 2 Directive MIIT Order No 32, 2016	No Restricted Materials Above Threshold
EU REACH Regulation (EC) No. 1907/2006	Current ECHA Candidate List: JUNE 2024 (241) Candidate List Declared Against: JAN 2024 (240) Does not contain REACH SVHC
Halogen Content	Low Halogen - Br, Cl, F, I < 900 ppm per homogenous material. Also BFR/CFR/PVC Free

Solder Process Capability

Not applicable for solder process capability

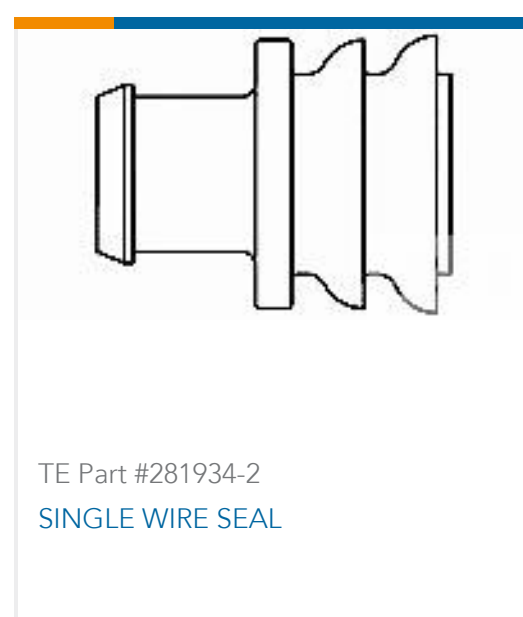
## Product Compliance Disclaimer

This information is provided based on reasonable inquiry of our suppliers and represents our current actual knowledge based on the information they provided. This information is subject to change. The part numbers that TE has identified as EU RoHS compliant have a maximum concentration of 0.1% by weight in homogenous materials for lead, hexavalent chromium, mercury, PBB, PBDE, DBP, BBP, DEHP, DIBP, and 0.01% for cadmium, or qualify for an exemption to these limits as defined in the Annexes of Directive 2011/65/EU (RoHS2). Finished electrical and electronic equipment products will be CE marked as required by Directive 2011/65/EU. Components may not be CE marked. Additionally, the part numbers that TE has identified as EU ELV compliant have a maximum concentration of 0.1% by weight in homogenous materials for lead, hexavalent chromium, and mercury, and 0.01% for cadmium, or qualify for an exemption to these limits as defined in the Annexes of Directive 2000/53/EC (ELV). Regarding the REACH Regulation, the information TE provides on SVHC in articles for this part number is based on the latest European Chemicals Agency (ECHA) 'Guidance on requirements for substances in articles' posted at this URL: <https://echa.europa.eu/guidance-documents/guidance-on-reach>

## Compatible Parts



## Customers Also Bought



## Documents

Product Drawings  
AMPACT C HOLDER



English

---

**Datasheets & Catalog Pages**

**CABLE-CLAMPS-BROCHURE**

English

**AMPACT BAT HOT STICK ACCESSORIES**

English