

# CES-2-F1A ✓ ACTIVE

RAYCHEM | RAYCHEM CES

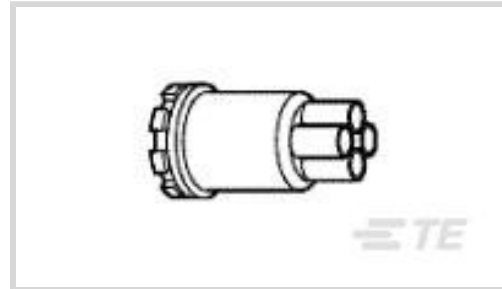
TE Internal #: CS3647-000

Cable Entry Seals, O-Ring, Nylon / Polyolefin, 4 Branches, 10.2 mm [.4 in] Expanded Inside, 2.79 mm [.11 in] Recovered Inside, RAYCHEM CES

[View on TE.com >](#)



Wire Protection & Management > Heat Shrink Shapes > Cable Entry Seals



Seal Type: **O-Ring**

Primary Product Material: **Nylon, Polyolefin**

Number of Branches & Legs: **4**

Expanded Inside Diameter (Min): **10.2 mm [.4 in]**

Recovered Inside Diameter (Max): **2.79 mm [.11 in]**

## Features

### Configuration Features

Adhesive Requirement	Adhesive Precoat
Number of Branches & Legs	4

### Body Features

Seal Type	O-Ring
Primary Product Material	Nylon, Polyolefin

### Mechanical Attachment

Thread Size	1-12
-------------	------

### Housing Features

Body Orientation	Straight
------------------	----------

### Dimensions

Overall Length (Supplied)	57.15 mm[2.25 in] 2.25 in
Expanded Inside Diameter (Min)	10.2 mm[.4 in]
Recovered Inside Diameter (Max)	2.79 mm[.11 in]
Drill Size	1
Compatible Cable Diameter Range	3.05 – 8.64 mm[.12 – .34 in]

### Usage Conditions

Flammability Requirement	Flame-Retardant
--------------------------	-----------------



## Product Compliance

[For compliance documentation, visit the product page on TE.com>](#)

EU RoHS Directive 2011/65/EU	Compliant
EU ELV Directive 2000/53/EC	Compliant
China RoHS 2 Directive MIIT Order No 32, 2016	No Restricted Materials Above Threshold
EU REACH Regulation (EC) No. 1907/2006	Current ECHA Candidate List: JUNE 2024 (241) Candidate List Declared Against: JAN 2024 (240) Does not contain REACH SVHC
Halogen Content	Not Yet Reviewed for halogen content
Solder Process Capability	Not reviewed for solder process capability

### Product Compliance Disclaimer

This information is provided based on reasonable inquiry of our suppliers and represents our current actual knowledge based on the information they provided. This information is subject to change. The part numbers that TE has identified as EU RoHS compliant have a maximum concentration of 0.1% by weight in homogenous materials for lead, hexavalent chromium, mercury, PBB, PBDE, DBP, BBP, DEHP, DIBP, and 0.01% for cadmium, or qualify for an exemption to these limits as defined in the Annexes of Directive 2011/65/EU (RoHS2). Finished electrical and electronic equipment products will be CE marked as required by Directive 2011/65/EU. Components may not be CE marked. Additionally, the part numbers that TE has identified as EU ELV compliant have a maximum concentration of 0.1% by weight in homogenous materials for lead, hexavalent chromium, and mercury, and 0.01% for cadmium, or qualify for an exemption to these limits as defined in the Annexes of Directive 2000/53/EC (ELV). Regarding the REACH Regulation, the information TE provides on SVHC in articles for this part number is based on the latest European Chemicals Agency (ECHA) 'Guidance on requirements for substances in articles' posted at this URL: <https://echa.europa.eu/guidance-documents/guidance-on-reach>

## Also in the Series | RAYCHEM CES



Cable Entry Seals(19)



Cable Transitions & Breakouts(2)



Feedthroughs(3)



Heat Shrink Boots(1)

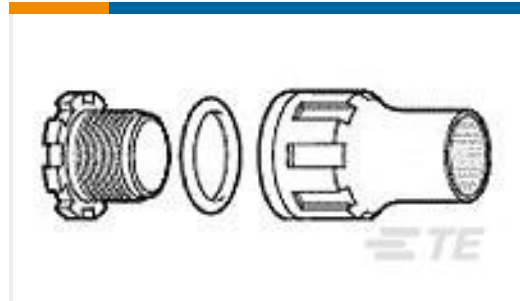
## Customers Also Bought



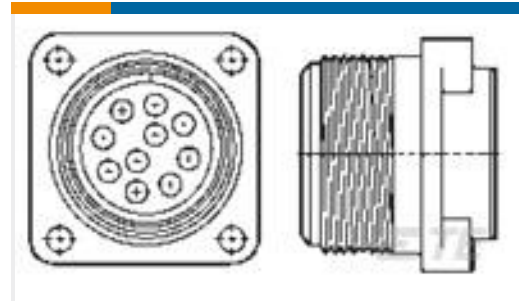
TE Part #206429-1  
CPC PLUG ASSY, 11-4, REV SEX



TE Part #1-206062-6  
CABLE CLAMP KIT #11



TE Part #848633-001  
CES-4



TE Part #213667-1  
18-10 CPC SQ FLNG RCPT REV SEX



TE Part #346656-000  
S01-04-R



TE Part #118577-000  
S01-05-R



TE Part #642145-000  
S01-02-R



TE Part #572044-001  
CES-4-F1

## Documents

### Product Drawings

[CES-2-F1A](#)

English

### Datasheets & Catalog Pages

[1654025\\_Sec4\\_CES](#)

English

[Raychem Molded Parts Visual Guide](#)

English