

2388278-1 ✓ ACTIVE

AMP | Heavy Duty Sealed Connector Series

TE Internal #: 2388278-1

Other Automotive Connector Accessories, Slide, PA6 GF, Natural,
-40 – 140 °C [-40 – 284 °F]

[View on TE.com >](#)



Connectors > Automotive Connectors > Automotive Connector Accessories > Other Automotive Connector Accessories >

Heavy Duty Sealed Connector Series Fixing Slides



Automotive Connector Accessory Type: **Slide**

Primary Product Material: **PA6 GF**

Primary Product Color: **Natural**

Operating Temperature Range: **-40 – 140 °C [-40 – 284 °F]**

[All Heavy Duty Sealed Connector Series Fixing Slides \(33\)](#)

Features

Product Type Features

Automotive Connector Accessory Type	Slide
-------------------------------------	-------

Body Features

Primary Product Material	PA6 GF
Primary Product Color	Natural

Usage Conditions

Operating Temperature Range	-40 – 140 °C[-40 – 284 °F]
-----------------------------	----------------------------

Industry Standards

UL Flammability Rating	UL 94V-0
------------------------	----------

Product Compliance

[For compliance documentation, visit the product page on TE.com>](#)

EU RoHS Directive 2011/65/EU	Compliant
EU ELV Directive 2000/53/EC	Compliant



China RoHS 2 Directive MIIT Order No 32, 2016	No Restricted Materials Above Threshold
EU REACH Regulation (EC) No. 1907/2006	Current ECHA Candidate List: JUNE 2024 (241) Candidate List Declared Against: JUNE 2024 (241) Does not contain REACH SVHC
Halogen Content	Low Halogen - Br, Cl, F, I < 900 ppm per homogenous material. Also BFR/CFR/PVC Free
Solder Process Capability	Not reviewed for solder process capability

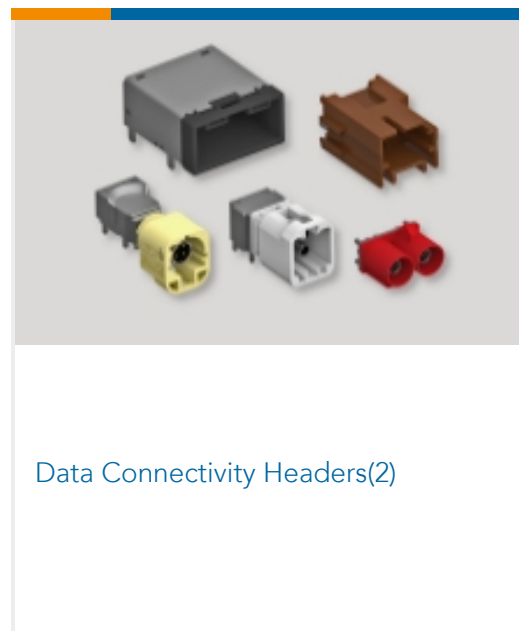
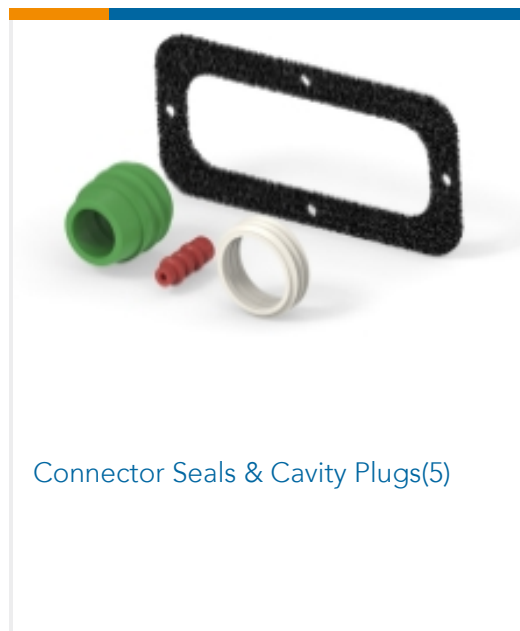
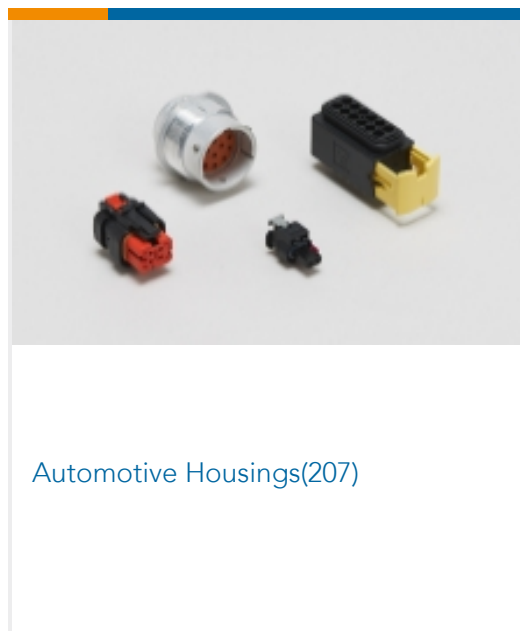
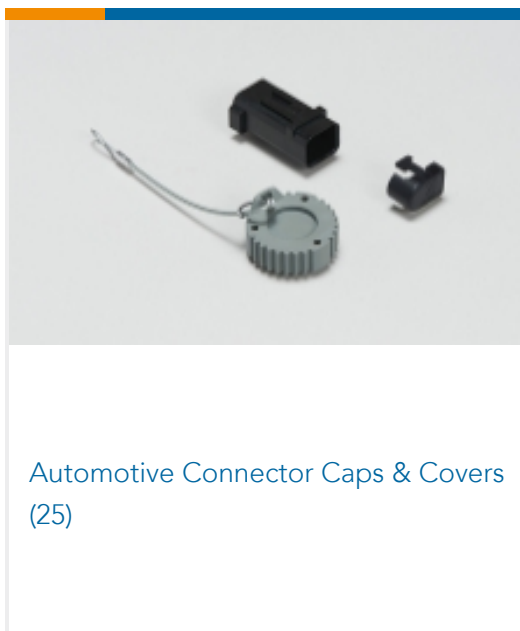
Product Compliance Disclaimer

This information is provided based on reasonable inquiry of our suppliers and represents our current actual knowledge based on the information they provided. This information is subject to change. The part numbers that TE has identified as EU RoHS compliant have a maximum concentration of 0.1% by weight in homogenous materials for lead, hexavalent chromium, mercury, PBB, PBDE, DBP, BBP, DEHP, DIBP, and 0.01% for cadmium, or qualify for an exemption to these limits as defined in the Annexes of Directive 2011/65/EU (RoHS2). Finished electrical and electronic equipment products will be CE marked as required by Directive 2011/65/EU. Components may not be CE marked. Additionally, the part numbers that TE has identified as EU ELV compliant have a maximum concentration of 0.1% by weight in homogenous materials for lead, hexavalent chromium, and mercury, and 0.01% for cadmium, or qualify for an exemption to these limits as defined in the Annexes of Directive 2000/53/EC (ELV). Regarding the REACH Regulation, the information TE provides on SVHC in articles for this part number is based on the latest European Chemicals Agency (ECHA) 'Guidance on requirements for substances in articles' posted at this URL: <https://echa.europa.eu/guidance-documents/guidance-on-reach>

Compatible Parts



Also in the Series | Heavy Duty Sealed Connector Series

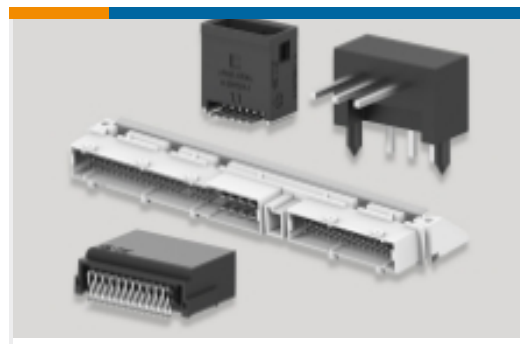




Data Connectivity Housings(16)



Other Automotive Connector Accessories(34)



PCB Headers & Receptacles(1)

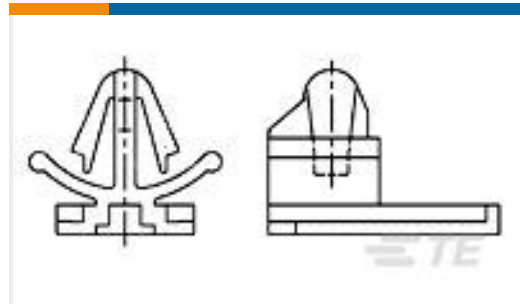
Customers Also Bought



TE Part #165172
PIDG WIRE PIN



TE Part #1-770904-1
MINI UMNL SOK 22-18AWG AU LF



TE Part #368165-1
CLIP HSG FOR 070/EJ MK-II(+)



TE Part #1969443-4
EP 2.5 TPA Retainer, 4 Pos



TE Part #2236454-1
5POS,TAB 6.3X0.8,HEADER ASSY,
CODA



TE Part #316834-2
040 SEALED TAB CONT. S / GOLD



TE Part #4-1879073-7
THS10 4K7 5%



TE Part #2375502-2
CHARGE INLET, COMBO 2, 90
DEGREE



TE Part #2132230-6
EP2.5 Shrouded HDR ASSY 6P VER

Documents

Product Drawings

[SLIDE,TAB HSG ASSY,GROUP D](#)

English

CAD Files

[3D PDF](#)

[3D](#)

[Customer View Model](#)

[ENG_CVM_CVM_2388278-1_A.2d_dxf.zip](#)



English

Customer View Model

[ENG_CVM_CVM_2388278-1_A.3d_igs.zip](#)

English

Customer View Model

[ENG_CVM_CVM_2388278-1_A.3d_stp.zip](#)

English

By downloading the CAD file I accept and agree to the [Terms and Conditions](#) of use.

Product Specifications

[Application Specification](#)

English