

TMS-CCUV-SLEEVE-6-X-65MM ✓ ACTIVE

TE Internal #: 8315576001

TE Internal Description: TMS-CCUV-SLEEVE-6-X-65MM

[View on TE.com >](#)



Product Compliance

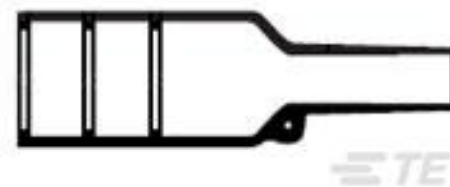
[For compliance documentation, visit the product page on TE.com>](#)

EU RoHS Directive 2011/65/EU	Compliant
EU ELV Directive 2000/53/EC	Compliant
China RoHS 2 Directive MIIT Order No 32, 2016	No Restricted Materials Above Threshold
EU REACH Regulation (EC) No. 1907/2006	Current ECHA Candidate List: JUNE 2024 (241) Candidate List Declared Against: JUNE 2024 (241) Does not contain REACH SVHC
Halogen Content	Low Bromine/Chlorine - Br and Cl < 900 ppm per homogenous material. Also BFR /CFR/PVC Free
Solder Process Capability	Not applicable for solder process capability


Product Compliance Disclaimer

This information is provided based on reasonable inquiry of our suppliers and represents our current actual knowledge based on the information they provided. This information is subject to change. The part numbers that TE has identified as EU RoHS compliant have a maximum concentration of 0.1% by weight in homogenous materials for lead, hexavalent chromium, mercury, PBB, PBDE, DBP, BBP, DEHP, DIBP, and 0.01% for cadmium, or qualify for an exemption to these limits as defined in the Annexes of Directive 2011/65/EU (RoHS2). Finished electrical and electronic equipment products will be CE marked as required by Directive 2011/65/EU. Components may not be CE marked. Additionally, the part numbers that TE has identified as EU ELV compliant have a maximum concentration of 0.1% by weight in homogenous materials for lead, hexavalent chromium, and mercury, and 0.01% for cadmium, or qualify for an exemption to these limits as defined in the Annexes of Directive 2000/53/EC (ELV). Regarding the REACH Regulation, the information TE provides on SVHC in articles for this part number is based on the latest European Chemicals Agency (ECHA) 'Guidance on requirements for substances in articles' posted at this URL: <https://echa.europa.eu/guidance-documents/guidance-on-reach>


Customers Also Bought




TE Part #878499-000
202K174-25-0



TE Part #820064-000
322A134-25-0



TE Part #5519236001
TMS-CCUV-SLEEVE-3-X-65MM



TE Part #8545196001
TMS-CCUV-SLEEVE-7-X-65MM



TE Part #9105556001
TMS-CCUV-SLEEVE-8-X-65MM



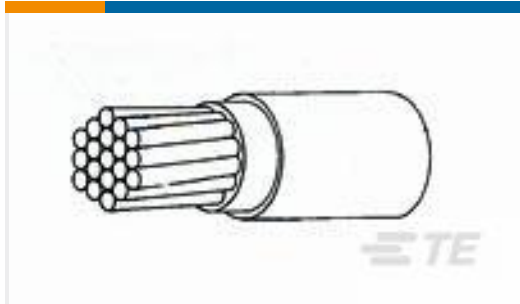
TE Part #4486176001
TMS-CCUV-SLEEVE-5-X-65MM



TE Part #6209416001
TMS-CCUV-SLEEVE-4-X-65MM



TE Part #7343816001
TMS-CCUV-SLEEVE-2-X-65MM



TE Part #F114063001
44A0111-12-9CK0001

Documents

[Product Specifications](#)

[Process Specification](#)

English