



AMP

TE Internal #: 2119118-2

Hand Crimping Tools, Commercial Crimp Tooling, Operator Releasable & Adjustable, Removable/Interchangeable, TE Product Specification (114-)

[View on TE.com >](#)

Application Tooling > Hand Crimping Tools



Tool Grade: **Commercial Crimp Tooling**

Ratchet Configuration: **Operator Releasable & Adjustable**

Die Sets Type: **Removable/Interchangeable**

Specification Type: **TE Product Specification (114-)**

TE Certification: **Upon Request for Fee**

**Features**

**Other**

|                             |                                  |
|-----------------------------|----------------------------------|
| Crimp Form-Wire Barrel Type | Open Barrel - F Crimp            |
| Tool Grade                  | Commercial Crimp Tooling         |
| Ratchet Configuration       | Operator Releasable & Adjustable |
| Die Sets Type               | Removable/Interchangeable        |
| Specification Type          | TE Product Specification (114-)  |
| TE Certification            | Upon Request for Fee             |
| Power Technology Type       | Battery, Electric, Manual        |
| Tooling Type                | PRO-CRIMPER Hand Tool            |

**Product Compliance**

[For compliance documentation, visit the product page on TE.com>](#)

|   |   |
|---|---|
| EU RoHS Directive 2011/65/EU                  | Out of Scope  |
| EU ELV Directive 2000/53/EC                   | Out of Scope  |
| China RoHS 2 Directive MIIT Order No 32, 2016 | Not reviewed for China RoHS compliance  |
| EU REACH Regulation (EC) No. 1907/2006        | Current ECHA Candidate List: JUNE 2024 (241)<br>Candidate List Declared Against: JUNE 2023 (235)<br>Does not contain REACH SVHC |

|                           |   |
|---------------------------|---|
| Halogen Content           | Low Halogen - Br, Cl, F, I < 900 ppm per homogenous material. Also BFR/CFR/PVC Free |
| Solder Process Capability | Not applicable for solder process capability  |

Product Compliance Disclaimer

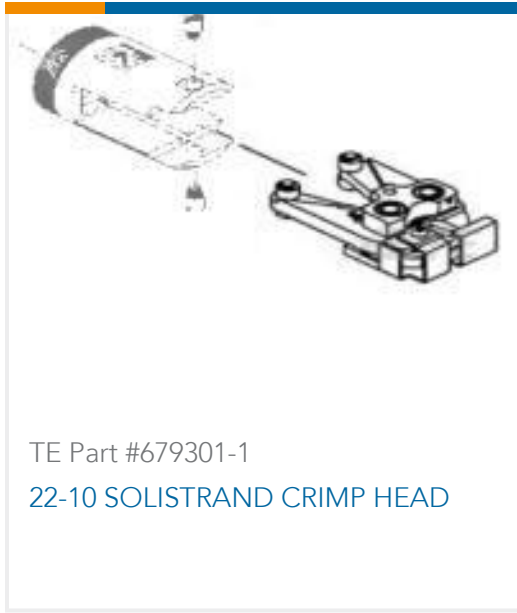
This information is provided based on reasonable inquiry of our suppliers and represents our current actual knowledge based on the information they provided. This information is subject to change. The part numbers that TE has identified as EU RoHS compliant have a maximum concentration of 0.1% by weight in homogenous materials for lead, hexavalent chromium, mercury, PBB, PBDE, DBP, BBP, DEHP, DIBP, and 0.01% for cadmium, or qualify for an exemption to these limits as defined in the Annexes of Directive 2011/65/EU (RoHS2). Finished electrical and electronic equipment products will be CE marked as required by Directive 2011/65/EU. Components may not be CE marked. Additionally, the part numbers that TE has identified as EU ELV compliant have a maximum concentration of 0.1% by weight in homogenous materials for lead, hexavalent chromium, and mercury, and 0.01% for cadmium, or qualify for an exemption to these limits as defined in the Annexes of Directive 2000/53/EC (ELV). Regarding the REACH Regulation, the information TE provides on SVHC in articles for this part number is based on the latest European Chemicals Agency (ECHA) 'Guidance on requirements for substances in articles' posted at this URL: <https://echa.europa.eu/guidance-documents/guidance-on-reach>

### Compatible Parts

|  |   |
|--|---|
|  <p>TE Part # CAT-AM7801-T273<br/>AMPSEAL 16 CONTACTS</p> |  <p>TE Part # 1924463-2<br/>PIN, SF, SIZE 16, 18-20 AWG, UNPLATE</p> |
|--|---|

### Customers Also Bought

|   |  |  |  |
|---|--|--|--|
|  <p>TE Part #1394132-1<br/>BLINDSTOPFEN F.D3,6</p>           |  <p>TE Part #EF8603-000<br/>R85049/85-10Z02</p>                       |  <p>TE Part #91337-2<br/>SIZE 16 PRO-CRIMPER DIE</p>          |  <p>TE Part #1860100-1<br/>PT7872P</p>                                  |
|  <p>TE Part #2217747-1<br/>CCII FASTIN-FASTON 22-18 ASSY</p> |  <p>TE Part #2390511-2<br/>SDE F DEUTSCH 20 PIN/SKT 18-22 DIE SET</p> |  <p>TE Part #2391435-2<br/>SDE F PIN/SOCKET 16-18 DIE SET</p> |  <p>TE Part #2395308-2<br/>SDE F FLT CONTACT 2.8 0.5-1.0mm2 DIE SET</p> |



## Documents

### Datasheets & Catalog Pages

[1-1773865-2\\_1015\\_Commercial Manual Hand Tools](#)

English

### Bottoming Dies

English

### Instruction Sheets

[Instruction Sheet \(U.S.\)](#)

English