

1954381-1 ✓ ACTIVE

SOLARLOK

TE Internal #: 1954381-1

Solar Connectors & Adapters, Copper Alloy, 10 AWG / 12 AWG

Wire Size, 4 mm² / 6 mm² Wire Size

[View on TE.com >](#)



Energy & Power > Solar Connectors & Adapters



Contact Base Material: **Copper Alloy**

Wire Size: **4 mm², 6 mm²**

Features

Product Type Features

Product Type	Grounding Clip
--------------	----------------

Contact Features

Contact Base Material	Copper Alloy
-----------------------	--------------

Housing Features

Housing Color	Black
Housing Material	PBT 30% Glass Filled Polyester

Dimensions

Wire Size	4 mm ² , 6 mm ²
-----------	---------------------------------------

Packaging Features

Packaging Quantity	100
--------------------	-----

Product Compliance

[For compliance documentation, visit the product page on TE.com>](#)

EU RoHS Directive 2011/65/EU	Compliant
EU ELV Directive 2000/53/EC	Compliant
China RoHS 2 Directive MIIT Order No 32, 2016	No Restricted Materials Above Threshold
EU REACH Regulation (EC) No. 1907/2006	Current ECHA Candidate List: JUNE 2024 (241) Candidate List Declared Against: JAN 2024 (240) Does not contain REACH SVHC
Halogen Content	Not Low Halogen - contains Br or Cl > 900 ppm.

Solder Process Capability

Reflow solder capable to 260°C

Product Compliance Disclaimer

This information is provided based on reasonable inquiry of our suppliers and represents our current actual knowledge based on the information they provided. This information is subject to change. The part numbers that TE has identified as EU RoHS compliant have a maximum concentration of 0.1% by weight in homogenous materials for lead, hexavalent chromium, mercury, PBB, PBDE, DBP, BBP, DEHP, DIBP, and 0.01% for cadmium, or qualify for an exemption to these limits as defined in the Annexes of Directive 2011/65/EU (RoHS2). Finished electrical and electronic equipment products will be CE marked as required by Directive 2011/65/EU. Components may not be CE marked. Additionally, the part numbers that TE has identified as EU ELV compliant have a maximum concentration of 0.1% by weight in homogenous materials for lead, hexavalent chromium, and mercury, and 0.01% for cadmium, or qualify for an exemption to these limits as defined in the Annexes of Directive 2000/53/EC (ELV). Regarding the REACH Regulation, the information TE provides on SVHC in articles for this part number is based on the latest European Chemicals Agency (ECHA) 'Guidance on requirements for substances in articles' posted at this URL: <https://echa.europa.eu/guidance-documents/guidance-on-reach>

Compatible Parts



TE Part # 1954381-2
Asy, Grounding Clip, 10-12 AWG w



TE Part # 1954381-3
Asy, Grounding Clip, 10-12 AWG w /Lock Nut



TE Part # 1954381-4
Asy, Grounding Clip, 10-12 AWG Solid Wire



TE Part # 1954381-5
Asy, Grounding Clip, 6mm2 Solid Wire



TE Part # 1954381-6
Asy, Grounding Clip, 6mm2 Solid Wire



TE Part # 1971925-1
Assy, Grounding Clip, H07V-K 6mm square

Customers Also Bought



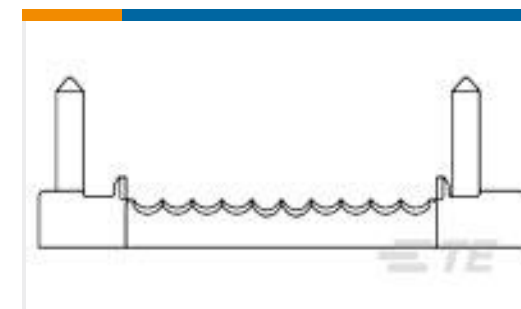
TE Part #6367550-7
ASSY Z-DOK+6 HOST BOARD 56PR L



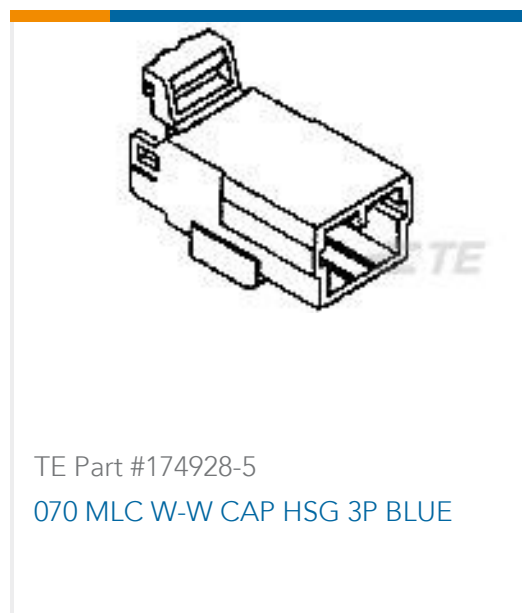
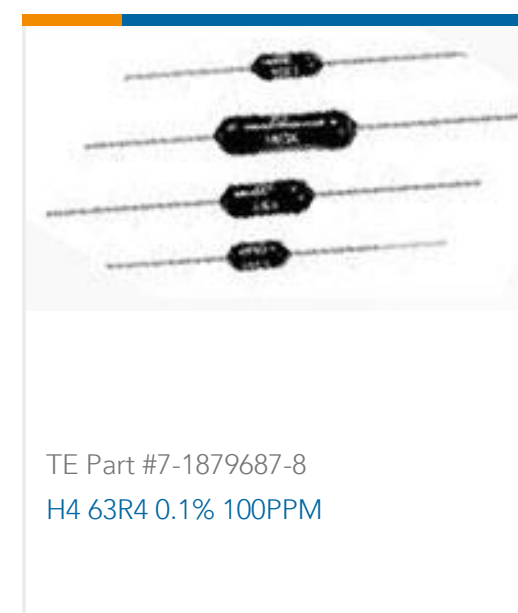
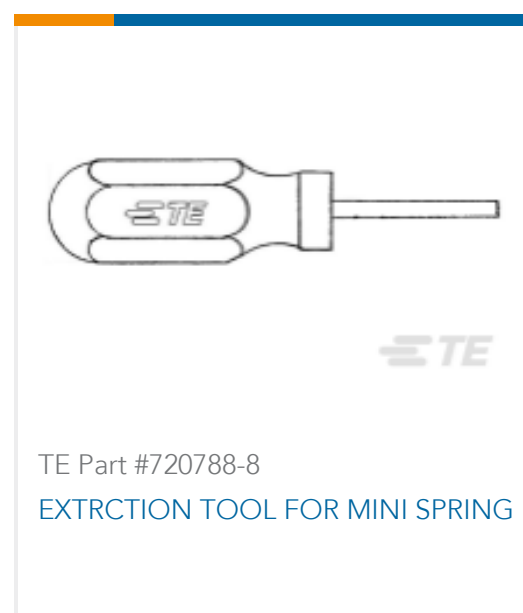
TE Part #2270024-1
PIN CONNECTOR KITS, PV4-S1M



TE Part #HD36-24-35SN-059
PLG, 35P, AL, N, CBLCLMPBT, DRAIN, 16 /20, S, MC



TE Part #749108-6
68 50SR CBL CONN TERM COVER



Documents

Product Drawings

[Asy,Grounding Clip,10-12 AWG S](#)

English

CAD Files

Customer View Model

[ENG_CVM_CVM_1954381-1_D.2d_dxf.zip](#)

English

[3D PDF](#)

3D

Customer View Model

[ENG_CVM_CVM_1954381-1_D.3d_igs.zip](#)

English

Customer View Model

[ENG_CVM_CVM_1954381-1_D.3d_stp.zip](#)

English

By downloading the CAD file I accept and agree to the [Terms and Conditions](#) of use.

Datasheets & Catalog Pages

[SOLARLOK GROUNDING CLIP INSTALLATION ACCESSORIES](#)

English

[1-1773888-9 SolarCatalog](#)

English

[AMERICAS_VERSION_SOLARLOK_INSTALLATION_MANUAL_2-1773458-2](#)

English

Product Specifications



Application Specification

English

Instruction Sheets

Instruction Sheet (U.S.)

English

Agency Approvals

UL Report

English