



Connectors > Terminal Junction Modules & Accessories > Terminal Junction Modules



Terminal Junction System Component Type: **Composite Rail for Modules**

Operating Temperature Range: **-65 – 175 °C**

Features

Product Type Features

| | |
|---|----------------------------|
| Terminal Junction System Component Type | Composite Rail for Modules |
|---|----------------------------|

Usage Conditions

| | |
|-----------------------------|--------------|
| Operating Temperature Range | -65 – 175 °C |
|-----------------------------|--------------|

Product Compliance

[For compliance documentation, visit the product page on TE.com>](#)

| | |
|---|--|
| EU RoHS Directive 2011/65/EU | Compliant |
| EU ELV Directive 2000/53/EC | Compliant |
| China RoHS 2 Directive MIIT Order No 32, 2016 | No Restricted Materials Above Threshold |
| EU REACH Regulation (EC) No. 1907/2006 | Current ECHA Candidate List: JUNE 2024 (241) Candidate List Declared Against: JAN 2024 (240) Does not contain REACH SVHC |
| Halogen Content | Low Halogen - Br, Cl, F, I < 900 ppm per homogenous material. Also BFR/CFR/PVC Free |
| Solder Process Capability | Not reviewed for solder process capability |

Product Compliance Disclaimer

This information is provided based on reasonable inquiry of our suppliers and represents our current actual knowledge based on the information they provided. This information is subject to change. The part numbers that TE has identified as EU RoHS compliant have a maximum concentration of 0.1% by weight in homogenous materials for lead, hexavalent chromium, mercury, PBB, PBDE, DBP, BBP, DEHP, DIBP, and 0.01% for cadmium, or qualify for an exemption to these limits as defined in the Annexes of Directive 2011/65/EU (RoHS2). Finished electrical and electronic equipment products will be CE marked as required by Directive 2011/65/EU. Components may not be CE marked. Additionally, the part

numbers that TE has identified as EU ELV compliant have a maximum concentration of 0.1% by weight in homogenous materials for lead, hexavalent chromium, and mercury, and 0.01% for cadmium, or qualify for an exemption to these limits as defined in the Annexes of Directive 2000/53/EC (ELV). Regarding the REACH Regulation, the information TE provides on SVHC in articles for this part number is based on the latest European Chemicals Agency (ECHA) 'Guidance on requirements for substances in articles' posted at this URL: <https://echa.europa.eu/guidance-documents/guidance-on-reach>

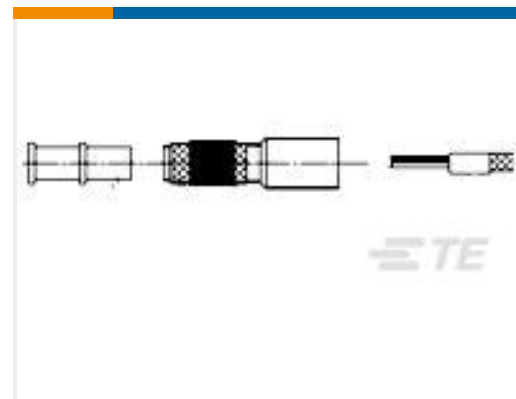
Customers Also Bought



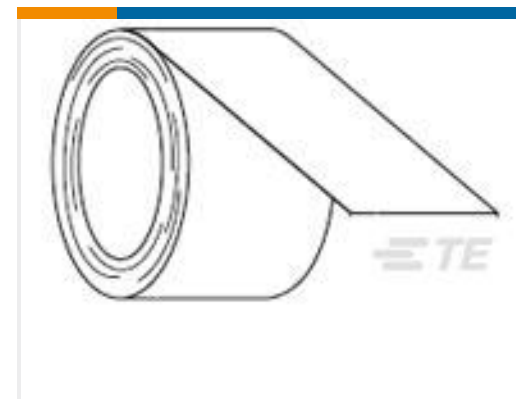
TE Part #ABC03N-22P-4048
IN-LINE RECP



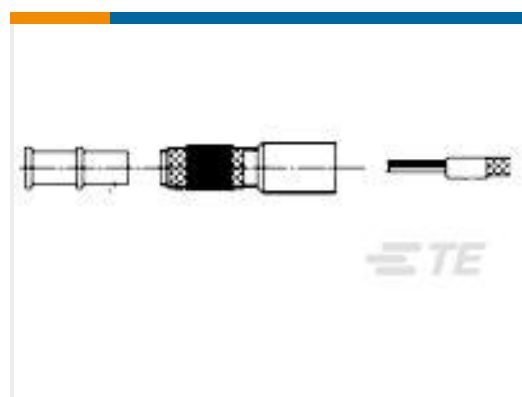
TE Part #CTL-20-513
JUNCTION ASSY



TE Part #173653-000
HET-A-02C



TE Part #329190-000
TTP600WE-10



TE Part #730181-000
HET-A-04C



TE Part #ABC06N-20P-4048
IN-LINE PLUG



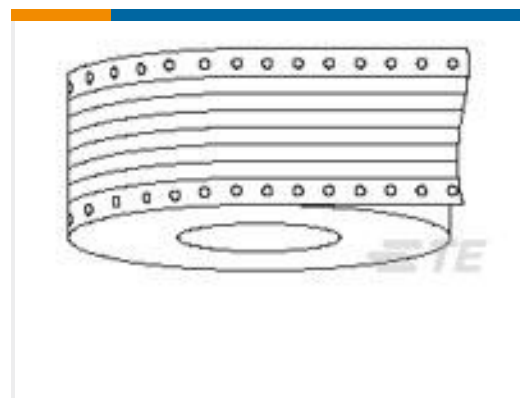
TE Part #ABC03N-16S-4048
IN-LINE RECP



TE Part #ABC03N-22S-4048
IN-LINE RECP



TE Part #ABC06N-22S-4048
IN-LINE PLUG



TE Part #147628-000
DMVF050WE-300S6

Documents

Product Drawings

COMPOSIT RAIL

English

CAD Files

3D PDF

3D

Customer View Model

[ENG_CVM_CVM_DCR-1A-04_99.2d_dxf.zip](#)

English

Customer View Model

[ENG_CVM_CVM_DCR-1A-04_99.3d_igs.zip](#)



English

Customer View Model

[ENG_CVM_CVM_DCR-1A-04_99.3d_stp.zip](#)

English

By downloading the CAD file I accept and agree to the [Terms and Conditions](#) of use.