



Sensors > Position Sensors > LVDT/LVIT Sensors > 0-5V AND 1-6V LVDT POSITION SENSOR



Linearity Error (Full Range): $\pm 0.25\%$

Case Material: **Stainless Steel**

Product Diameter: **19.05 mm [.75 in]**

Product Shape: **Cylindrical**

Supply Voltage Range: **8.5 – 28 V**

Features

Product Type Features

Product Shape	Cylindrical
---------------	-------------

Configuration Features

Electrical Connection	Shielded Cable
-----------------------	----------------

Electrical Characteristics

Supply Voltage Range	8.5 – 28 V
----------------------	------------

Body Features

Case Material	Stainless Steel
---------------	-----------------

Core Configuration	Separate Core
--------------------	---------------

Dimensions

Product Diameter	19.05 mm [.75 in]
------------------	-------------------

Usage Conditions

Operating Temperature Range	-25 – 85 °C [-13 – 185 °F]
-----------------------------	----------------------------

Operation/Application

Output Signal Type	0 – 5 V, 1 – 6 V
--------------------	------------------

Industry Standards

IP Rating	IP61
-----------	------

Other

Linearity Error (Full Range)	±.25 %
------------------------------	--------

Product Compliance

[For compliance documentation, visit the product page on TE.com>](#)

EU RoHS Directive 2011/65/EU	Compliant
EU ELV Directive 2000/53/EC	Not Yet Reviewed
China RoHS 2 Directive MIIT Order No 32, 2016	No Restricted Materials Above Threshold
EU REACH Regulation (EC) No. 1907/2006	Current ECHA Candidate List: JUNE 2024 (241) Not Yet Reviewed
Halogen Content	Not Yet Reviewed for halogen content
Solder Process Capability	Not reviewed for solder process capability

Product Compliance Disclaimer

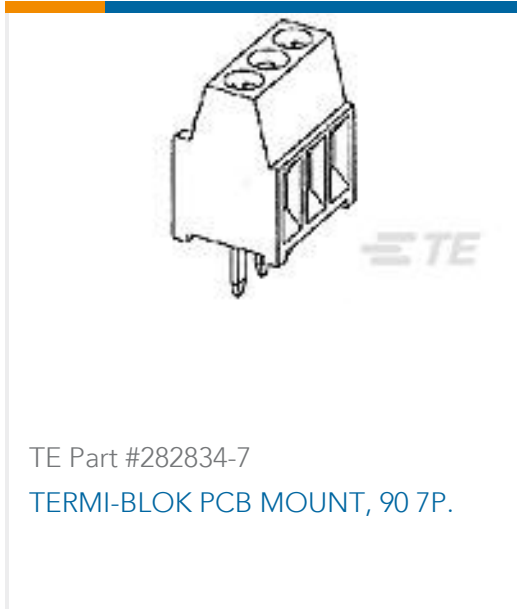
This information is provided based on reasonable inquiry of our suppliers and represents our current actual knowledge based on the information they provided. This information is subject to change. The part numbers that TE has identified as EU RoHS compliant have a maximum concentration of 0.1% by weight in homogenous materials for lead, hexavalent chromium, mercury, PBB, PBDE, DBP, BBP, DEHP, DIBP, and 0.01% for cadmium, or qualify for an exemption to these limits as defined in the Annexes of Directive 2011/65/EU (RoHS2). Finished electrical and electronic equipment products will be CE marked as required by Directive 2011/65/EU. Components may not be CE marked. Additionally, the part numbers that TE has identified as EU ELV compliant have a maximum concentration of 0.1% by weight in homogenous materials for lead, hexavalent chromium, and mercury, and 0.01% for cadmium, or qualify for an exemption to these limits as defined in the Annexes of Directive 2000/53/EC (ELV). Regarding the REACH Regulations, TE's information on SVHC in articles for this part number is still based on the European Chemical Agency (ECHA) 'Guidance on requirements for substances in articles' (Version: 2, April 2011), applying the 0.1% weight on weight concentration threshold at the finished product level. TE is aware of the European Court of Justice ruling of September 10th, 2015 also known as O5A (Once An Article Always An Article) stating that, in case of 'complex object', the threshold for a SVHC must be applied to both the product as a whole and simultaneously to each of the articles forming part of its composition. TE has evaluated this ruling based on the new ECHA "Guidance on requirements for substances in articles" (June 2017, version 4.0) and will be updating its statements accordingly.

Also in the Series | MEAS DC



LVDT/LVIT Sensors(12)

Customers Also Bought



Documents

Datasheets & Catalog Pages

[General purpose DC LVDT](#)

English