

9-2376974-0 ✓ ACTIVE

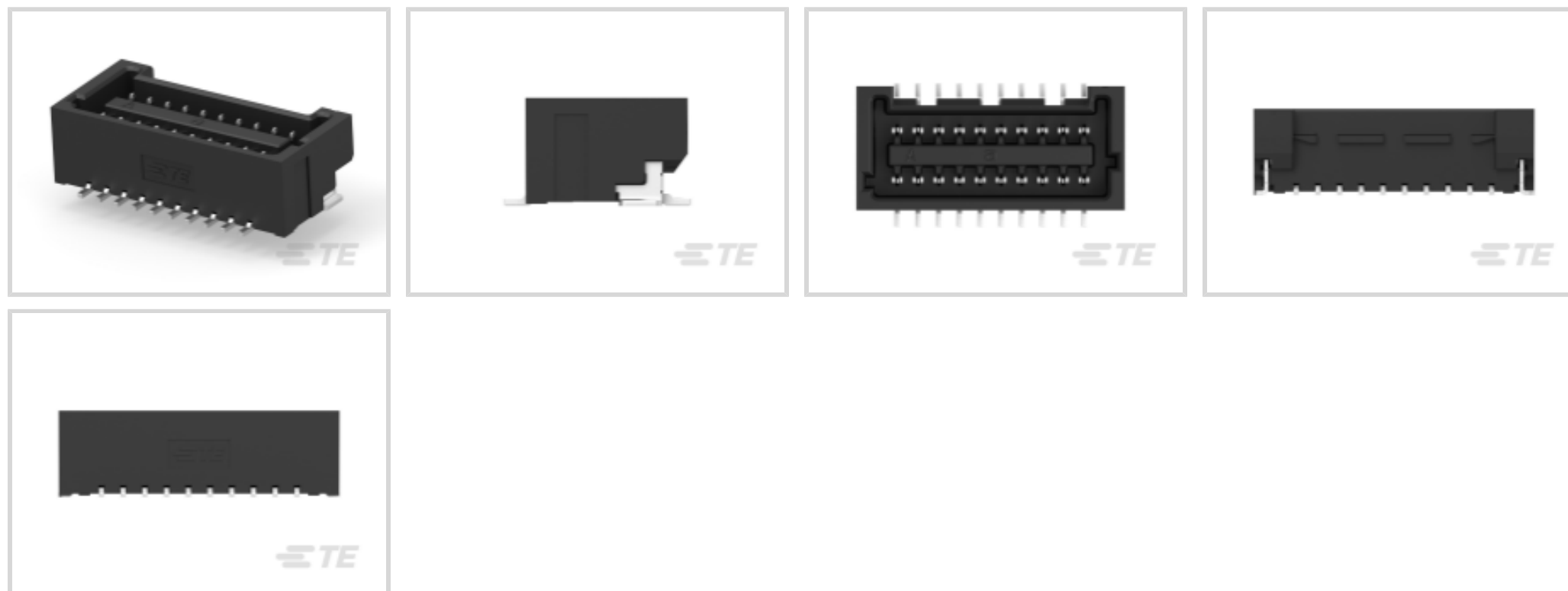


TE Internal #: 9-2376974-0

PCB Mount Header, Vertical, Wire-to-Board, 18 Position, 1.25 mm [.05 in] Centerline, Fully Shrouded, Tin, Surface Mount, Signal, Black, Tape & Reel

[View on TE.com >](#)

Connectors > PCB Connectors > PCB Headers & Receptacles



Connector System: **Wire-to-Board**

Number of Positions: **18**

Number of Rows: **2**

Centerline (Pitch): **1.25 mm [.05 in]**

PCB Mount Orientation: **Vertical**

Features

Product Type Features

Applied Pressure	Standard
Connector System	Wire-to-Board
Header Type	Fully Shrouded
Sealable	No
Connector & Contact Terminates To	Printed Circuit Board
PCB Connector Assembly Type	PCB Mount Header

Configuration Features

Number of Power Positions	0
Number of Loaded Positions	18
Connector Contact Load Condition	Fully Loaded
Number of Signal Positions	18
Number of Positions	18
Number of Rows	2
PCB Mount Orientation	Vertical

Electrical Characteristics



Insulation Resistance	500 MΩ
Dielectric Withstanding Voltage (Max)	500 V
Operating Voltage	50 VAC

Body Features

Connector Profile	Low
Connector & Keying Code	A
Primary Product Color	Black

Contact Features

Contact Fabrication	Stamped & Formed
Contact Layout	Inline
Mating Tab Width	.45 mm
Mating Tab Thickness	.3 mm
Contact Mating Area Plating Material Thickness	1 μm[40 μin]
PCB Contact Termination Area Plating Material Finish	Matte
Contact Shape & Form	SMT Lead
Contact Mating Area Plating Material Finish	Matte
Contact Underplating Material	Nickel
PCB Contact Termination Area Plating Material	Tin
Contact Base Material	Copper Alloy
Contact Mating Area Plating Material	Tin
Contact Type	Blade
Contact Current Rating (Max)	1.5 A

Termination Features

Termination Method to Printed Circuit Board	Surface Mount
---	---------------

Mechanical Attachment

PCB Mount Alignment Type	Peg
Mating Retention	With
PCB Mount Retention Type	Pegs
Mating Alignment	With
PCB Mount Alignment	With
PCB Mount Retention	With

Housing Features



Mating Entry Location	Top
Housing Material	Nylon
Centerline (Pitch)	1.25 mm [.05 in]

Usage Conditions

Housing Temperature Rating	Standard
Operating Temperature Range	-40 – 221 °C [-40 – 105 °F]

Operation/Application

Shielded	No
Assembly Process Feature	Carrier Tape
Circuit Application	Signal

Industry Standards

UL Flammability Rating	UL 94V-0
------------------------	----------

Packaging Features

Packaging Method	Tape & Reel
------------------	-------------

Product Compliance

[For compliance documentation, visit the product page on TE.com>](#)

EU RoHS Directive 2011/65/EU	Compliant
EU ELV Directive 2000/53/EC	Compliant
China RoHS 2 Directive MIIT Order No 32, 2016	No Restricted Materials Above Threshold
EU REACH Regulation (EC) No. 1907/2006	Current ECHA Candidate List: JUNE 2024 (241) Candidate List Declared Against: JUNE 2024 (241) Does not contain REACH SVHC
Halogen Content	Low Halogen - Br, Cl, F, I < 900 ppm per homogenous material. Also BFR/CFR/PVC Free
Solder Process Capability	Not reviewed for solder process capability

Product Compliance Disclaimer

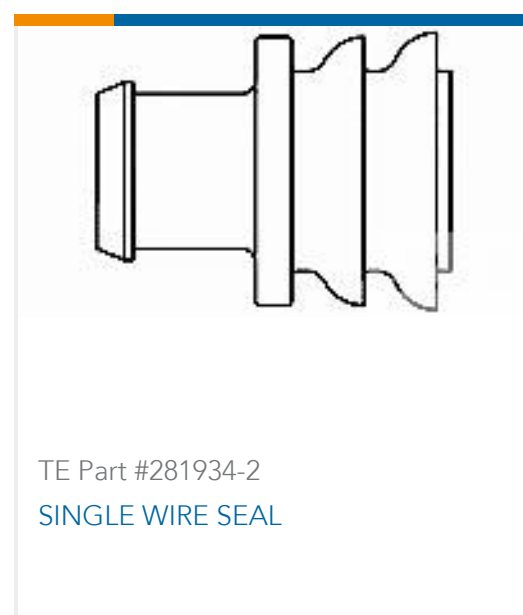
This information is provided based on reasonable inquiry of our suppliers and represents our current actual knowledge based on the information they provided. This information is subject to change. The part numbers that TE has identified as EU RoHS compliant have a maximum concentration of 0.1% by weight in homogenous materials for lead, hexavalent chromium, mercury, PBB, PBDE, DBP, BBP, DEHP, DIBP, and 0.01% for cadmium, or qualify for an exemption to these limits as defined in the Annexes of Directive 2011/65/EU (RoHS2). Finished electrical and electronic equipment products will be CE marked as required by Directive 2011/65/EU. Components may not be CE marked. Additionally, the part numbers that TE has identified as EU ELV compliant have a maximum concentration of 0.1% by weight in homogenous materials for lead, hexavalent chromium, and mercury, and 0.01% for cadmium, or qualify for an exemption to these limits

as defined in the Annexes of Directive 2000/53/EC (ELV). Regarding the REACH Regulation, the information TE provides on SVHC in articles for this part number is based on the latest European Chemicals Agency (ECHA) 'Guidance on requirements for substances in articles' posted at this URL: <https://echa.europa.eu/guidance-documents/guidance-on-reach>

Compatible Parts



Customers Also Bought



Documents

Product Drawings

Header Assy, 20pos, VT, KeyA, SGI 1.25

English

CAD Files

Customer View Model

[ENG_CVM_CVM_9-2376974-0_A.3d_stp.zip](#)

English

Customer View Model

[ENG_CVM_CVM_9-2376974-0_A.3d_igs.zip](#)

English



3D PDF

3D

Customer View Model

[ENG_CVM_CVM_9-2376974-0_A.2d_dxf.zip](#)

English

By downloading the CAD file I accept and agree to the [Terms and Conditions](#) of use.

Product Specifications

[Application Specification](#)

English

Agency Approvals

[UL Report](#)

English