

861256-1 ✓ ACTIVE

LGH

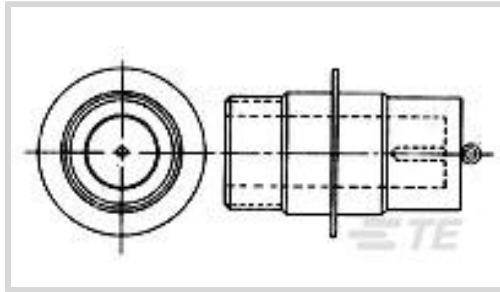
TE Internal #: 861256-1

Circular Power Connectors, Lead Assembly, 30000 VDC, Wire-to-Panel, Wire & Cable, Receptacle, Socket, Panel Mount, -55 – 125 °C [-67 – 257 °F]

[View on TE.com >](#)



Connectors > Power Connectors > Circular Power > Circular Power Connectors



Connector Product Type: **Lead Assembly**

Operating Voltage: **30000 VDC**

Connector System: **Wire-to-Panel**

Sealable: **No**

Connector & Contact Terminates To: **Wire & Cable**

Features

Product Type Features

Connector Seal & Plug Type	Hermetically Sealed
Connector Product Type	Lead Assembly
Connector System	Wire-to-Panel
Sealable	No
Connector & Contact Terminates To	Wire & Cable
Connector & Housing Type	Receptacle

Electrical Characteristics

Operating Voltage	30000 VDC
-------------------	-----------

Body Features

Positive Stop Ferrule	Without
Product Weight	20 g[.7 oz]

Contact Features

Contact Type	Socket
Contact Protection	Without

Mechanical Attachment

Mating Alignment	With
Panel Mount Feature Type	Flange
Connector Mounting Type	Panel Mount



Dimensions

Assembly Length	40.13 mm[1.58 in]
-----------------	-------------------

Usage Conditions

Operating Temperature Range	-55 – 125 °C[-67 – 257 °F]
-----------------------------	----------------------------

Operation/Application

Shielded	No
----------	----

Packaging Features

Packaging Quantity	4
Packaging Method	Package

Product Compliance

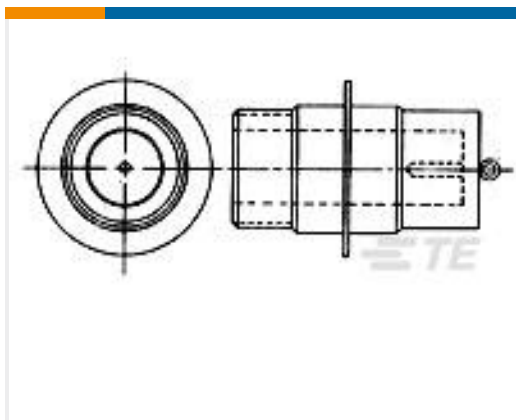
[For compliance documentation, visit the product page on TE.com>](#)

EU RoHS Directive 2011/65/EU	Compliant with Exemptions
EU ELV Directive 2000/53/EC	Compliant with Exemptions
China RoHS 2 Directive MIIT Order No 32, 2016	Restricted Materials Above Threshold
EU REACH Regulation (EC) No. 1907/2006	Current ECHA Candidate List: JUNE 2024 (241) Candidate List Declared Against: JUNE 2023 (235) SVHC > Threshold: Pb (4% in Contact/Component) Article Safe Usage Statements: Do not eat, drink or smoke when using this product. Wash thoroughly after handling. Recycle if possible and dispose of the article by following all applicable governmental regulations relevant to your geographic location.
Halogen Content	Not Yet Reviewed for halogen content
Solder Process Capability	Not applicable for solder process capability

Product Compliance Disclaimer

This information is provided based on reasonable inquiry of our suppliers and represents our current actual knowledge based on the information they provided. This information is subject to change. The part numbers that TE has identified as EU RoHS compliant have a maximum concentration of 0.1% by weight in homogenous materials for lead, hexavalent chromium, mercury, PBB, PBDE, DBP, BBP, DEHP, DIBP, and 0.01% for cadmium, or qualify for an exemption to these limits as defined in the Annexes of Directive 2011/65/EU (RoHS2). Finished electrical and electronic equipment products will be CE marked as required by Directive 2011/65/EU. Components may not be CE marked. Additionally, the part numbers that TE has identified as EU ELV compliant have a maximum concentration of 0.1% by weight in homogenous materials for lead, hexavalent chromium, and mercury, and 0.01% for cadmium, or qualify for an exemption to these limits as defined in the Annexes of Directive 2000/53/EC (ELV). Regarding the REACH Regulation, the information TE provides on SVHC in articles for this part number is based on the latest European Chemicals Agency (ECHA) 'Guidance on requirements for substances in articles' posted at this URL: <https://echa.europa.eu/guidance-documents/guidance-on-reach>


Customers Also Bought



TE Part #5-861256-1
RECEPTACLE



TE Part #1617036-2
HFW4A1131K00 = HFW 4A RELAY



TE Part #2-839564-9
LEAD, SGL END ASSY, LGH



TE Part #155389-000
22759/43-20-5



TE Part #317325-000
22759/43-20-6



TE Part #280234-000
22759/43-22-2



TE Part #YDTS26W13-04PDV001
PLUG ASSY

Documents

Product Drawings

[RECEPTACLE](#)

English

Product Specifications

[Product Specification](#)

English