

LGH

TE Internal #: 867157-2

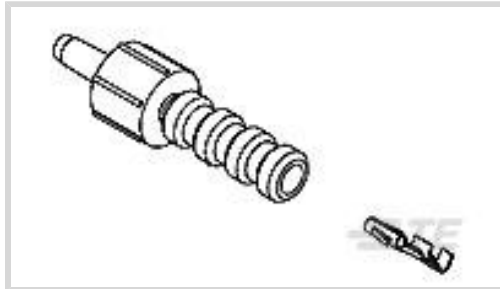
Circular Power Connectors, Lead Assembly, 10000 VDC, .3 – .5 mm²

Wire Size, 1 Position, Sealable, Plug, Socket, 1 Signal Positions, UL

94V-0

[View on TE.com >](#)

Connectors > Power Connectors > Circular Power > Circular Power Connectors

Connector Product Type: **Lead Assembly**Operating Voltage: **10000 VDC**Wire Size: **.3 – .5 mm²**Number of Positions: **1**Sealable: **Yes****Features****Product Type Features**

Connector Product Type	Lead Assembly
Sealable	Yes
Connector & Housing Type	Plug

Configuration Features

Number of Positions	1
Number of Signal Positions	1

Electrical Characteristics

Operating Voltage	10000 VDC
-------------------	-----------

Contact Features

Reverse Gender	No
Contact Type	Socket

Mechanical Attachment

Mating Retention Type	Threaded
-----------------------	----------

Dimensions

Compatible Insulation Diameter Range	4.06 mm[.16 in]
Wire Size	.3 – .5 mm ²

Usage Conditions



Operating Temperature Range	15 – 85 °C
-----------------------------	------------

Operation/Application

Shielded	No
----------	----

Industry Standards

UL Flammability Rating	UL 94V-0
------------------------	----------

Packaging Features

Packaging Quantity	100
--------------------	-----

Product Compliance

[For compliance documentation, visit the product page on TE.com>](#)

EU RoHS Directive 2011/65/EU	Compliant
EU ELV Directive 2000/53/EC	Compliant
China RoHS 2 Directive MIIT Order No 32, 2016	No Restricted Materials Above Threshold
EU REACH Regulation (EC) No. 1907/2006	Current ECHA Candidate List: JUNE 2024 (241) Candidate List Declared Against: JAN 2024 (240) Does not contain REACH SVHC
Halogen Content	Not Yet Reviewed for halogen content
Solder Process Capability	Not applicable for solder process capability

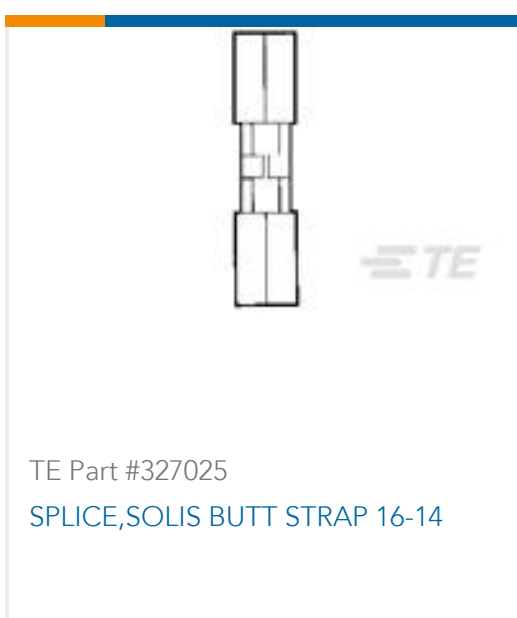
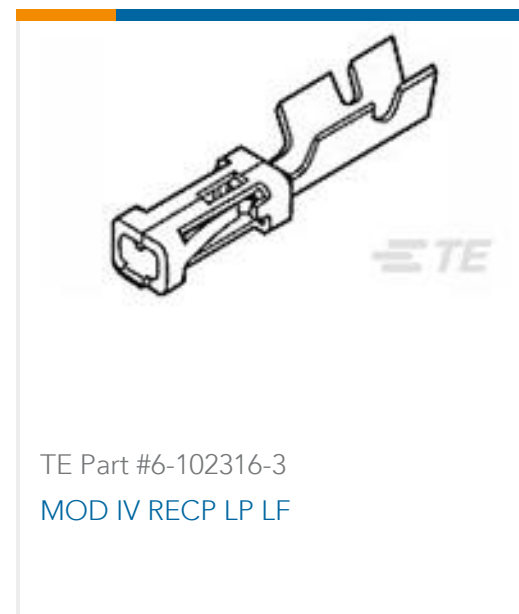
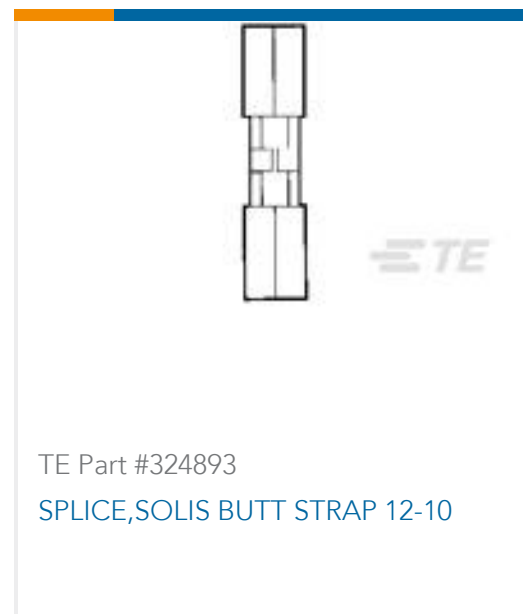
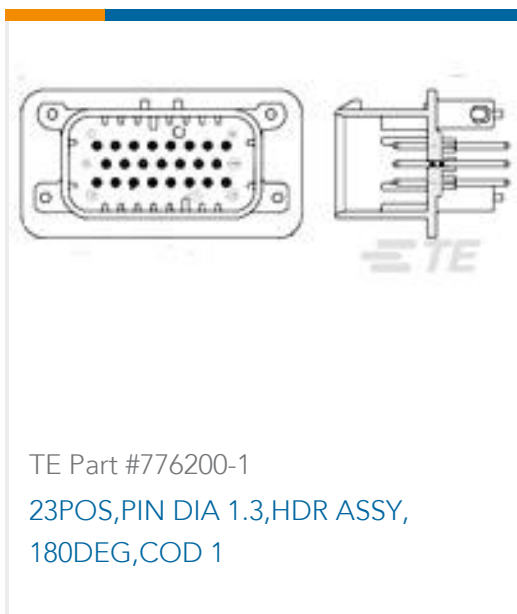
Product Compliance Disclaimer

This information is provided based on reasonable inquiry of our suppliers and represents our current actual knowledge based on the information they provided. This information is subject to change. The part numbers that TE has identified as EU RoHS compliant have a maximum concentration of 0.1% by weight in homogenous materials for lead, hexavalent chromium, mercury, PBB, PBDE, DBP, BBP, DEHP, DIBP, and 0.01% for cadmium, or qualify for an exemption to these limits as defined in the Annexes of Directive 2011/65/EU (RoHS2). Finished electrical and electronic equipment products will be CE marked as required by Directive 2011/65/EU. Components may not be CE marked. Additionally, the part numbers that TE has identified as EU ELV compliant have a maximum concentration of 0.1% by weight in homogenous materials for lead, hexavalent chromium, and mercury, and 0.01% for cadmium, or qualify for an exemption to these limits as defined in the Annexes of Directive 2000/53/EC (ELV). Regarding the REACH Regulation, the information TE provides on SVHC in articles for this part number is based on the latest European Chemicals Agency (ECHA) 'Guidance on requirements for substances in articles' posted at this URL: <https://echa.europa.eu/guidance-documents/guidance-on-reach>

Compatible Parts



Customers Also Bought



Documents

Product Drawings

[PLUG KIT](#)

English

CAD Files

[3D PDF](#)

3D

[Customer View Model](#)

[ENG_CVM_CVM_867157-2_C.2d_dxf.zip](#)



English

Customer View Model

[ENG_CVM_CVM_867157-2_C.3d_igs.zip](#)

English

Customer View Model

[ENG_CVM_CVM_867157-2_C.3d_stp.zip](#)

English

By downloading the CAD file I accept and agree to the [Terms and Conditions](#) of use.

Datasheets & Catalog Pages

[1654742_HOUSEHOLD_APPLIANCES_RAST5](#)

English

Instruction Sheets

[Instruction Sheet \(U.S.\)](#)

English